

# SAW ARBOR ELECTRIC MOTOR

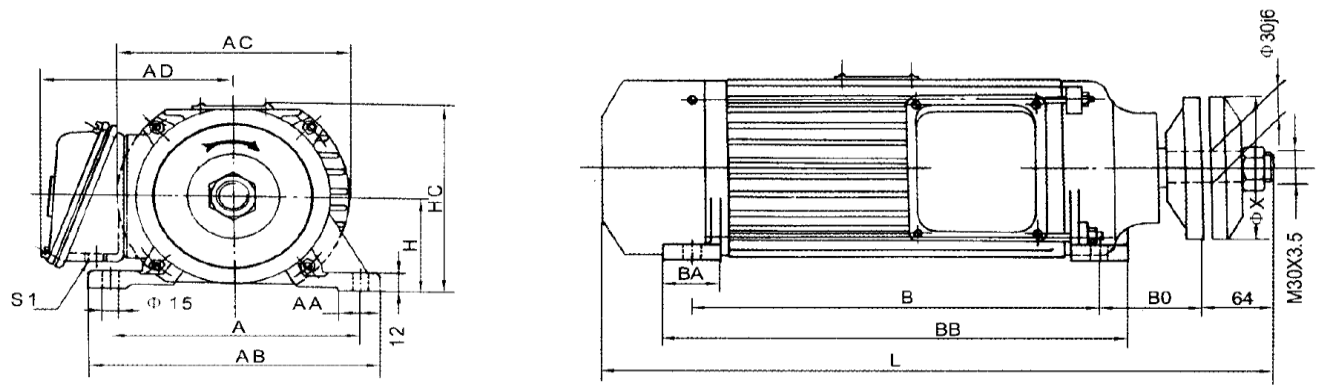


- ★ CAST IRON FRAME (OR ALUMINUM FRAME ON REQUEST)
- ★ IEC OR NEMA FRAME AVAILABLE
- ★ IP54,IP44
- ★ B CLASS INSULATION
- ★ DOUBLE SPEED AVAILABLE, 4POLE, 6POLE AVAILABLE
- ★ DOUBLE OUTPUT SHAFT AVAILABLE
- ★ HIGH EFFICIENCY AVAILABLE
- ★ 575V OR 600V,220V/380V,230V/460V ON REQUEST

- ★ 60HZ,50HZ.
- ★ LOW NOISE AND VIBRATION WITH HIGH QUALITY BALL BEARINGS
- ★ ISO9000 CERTIFIED

## Performance Data

MODEL	RATED POWER		FULL-LOAD					BREAK DOWN CURRENT	BREAK DOWN TORQUE	MAX TORQUE	WEIGHT (CAST IRON) kg
	KW	HP	SPEED (r/min)	VOLTAGE (V)	CURRENT (A)	EFF. (%)	FACTOR (COSΦ)	FULLLOAD CURRENT (times)	FULLLOAD TORQUE (times)	FULLLOAD TORQUE (times)	
YCM80S-2	2.2	3	3430	575	3.2	82.5	0.87	7.5	2.5	2.8	34
YCM80M-2	3	4	3445	575	4.2	83.5	0.87	8	2.5	2.8	42
YCM90S-2	4	5.5	3445	575	5.4	85	0.89	8	2.5	2.8	50
YCM90M-2	5.5	7.5	3460	575	7.1	86	0.89	8	2.4	2.8	61
YCM90L-2	7.5	10	3460	575	9.6	87	0.89	8	2.4	2.8	70



dimensions in mm

MODEL	A	AA	AB	AC	AD	B	BA	BB	H	HC	L
YCM80S2	190	70	230	180	150	260	45	300	80	155	475
YCM80M2	190	70	230	180	150	310	45	355	80	155	520
YCM90S2	190	70	230	200	160	310	60	390	90	165	535