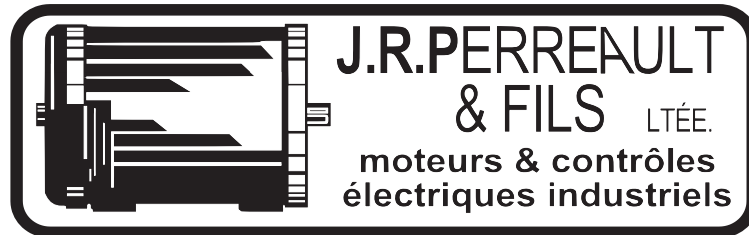


# HELICAL IN LINE GEAR REDUCERS



TELEPHONE: 1-800-463-0400

[www.jrperreault.com](http://www.jrperreault.com)



# LIST PRICE

SIZE				SHAFT DIA.	PRIX
A90S	MHN37			1.000	1 022.00 \$
A115S	MHN47			1.250	1 246.00 \$
A140S	MHN77			1.625	1 933.00 \$
A180S	MHN87			2.125	2 845.00 \$
A225S	MHN97			2.375	4 943.00 \$
A250S	MHN107			2.875	6 775.00 \$
A315S	MHN137			3.625	13 128.00 \$



# SELECTION CHART

RATIO	RPM IN	RPM OUT		A90S2	A115S2	A140S2	A180S2	A225S2	A250S2	A315S2
			MAX. INPUT HP	5.00	15.00	30.00	60.00	100.00	150.00	200.00
5	1750	350	MAX. TORQUE	1250	2880	5840	10900	19500	31000	63700
			OUTPUT TORQUE	900	2700	5400	10800	18000	27000	36000
			SERVICE FACTOR	1.39	1.07	1.08	1.01	1.08	1.15	1.77
			OVERHUNG LOAD	179	179	276	760	857	959	1235
			MAX. INPUT HP	3.00	7.50	15.00	30.00	50.00	75.00	150.00
10	1750	175	MAX. TORQUE	1250	2880	5840	10900	19500	31000	63700
			OUTPUT TORQUE	1080	2700	5400	10800	18000	27000	54000
			SERVICE FACTOR	1.16	1.07	1.08	1.01	1.08	1.15	1.18
			OVERHUNG LOAD	224	230	342	954	1010	1173	1485
			MAX. INPUT HP	2.00	5.00	10.00	20.00	30.00	50.00	100.00
15	1750	116.7	MAX. TORQUE	1250	2880	5840	10900	19500	31000	63700
			OUTPUT TORQUE	1080	2700	5400	10800	16200	27000	54000
			SERVICE FACTOR	1.16	1.07	1.08	1.01	1.20	1.15	1.18
			OVERHUNG LOAD	255	255	398	1122	1270	1398	1765

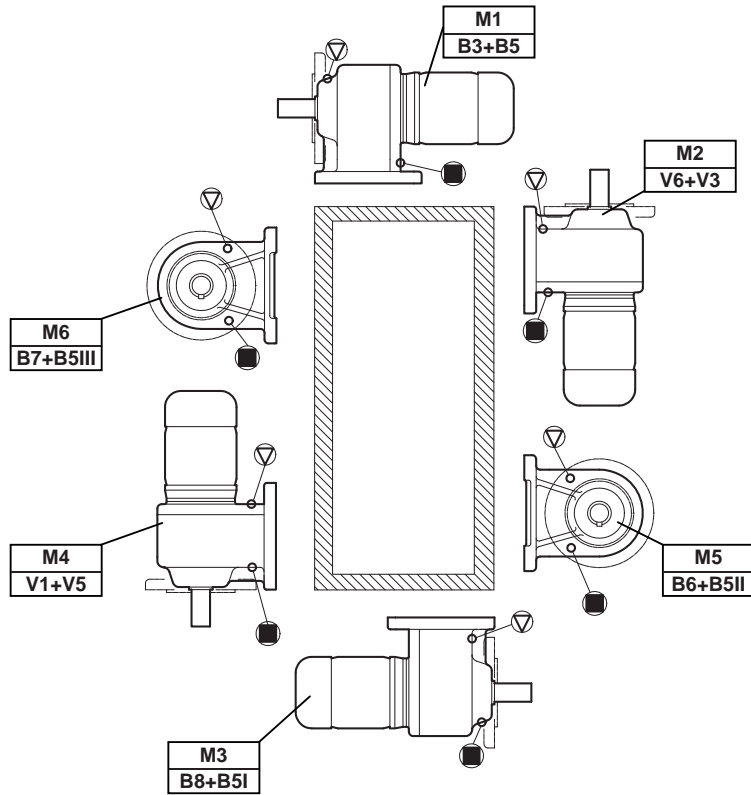
TORQUE: IN/LB

O.H.L.: Kg.

# SELECTION CHART

RATIO	RPM IN	RPM OUT		A90S3	A115S3	A140S3	A180S3	A225S3	A250S3	A315S3
20	1750	87.5	MAX. INPUT HP	2.00	3.00	10.00	15.00	30.00	50.00	100.00
			MAX. TORQUE	1500	3420	7260	13700	26500	38000	79000
			OUTPUT TORQUE	1440	2160	7200	10800	21600	36000	72000
			SERVICE FACTOR	1.04	1.58	1.01	1.27	1.23	1.06	1.10
			OVERHUNG LOAD	224	270	413	1173	1301	1592	2031
30	1750	58.3	MAX. INPUT HP	1.00	3.00	5.00	10.00	20.00	30.00	60.00
			MAX. TORQUE	1500	3420	7260	13700	26500	38000	79000
			OUTPUT TORQUE	1080	3240	5400	10800	21600	32400	64800
			SERVICE FACTOR	1.39	1.06	1.34	1.27	1.23	1.17	1.22
			OVERHUNG LOAD	321	321	500	1352	1301	1592	2031
40	1750	43.8	MAX. INPUT HP	1.00	2.00	5.00	7.50	15.00	25.00	50.00
			MAX. TORQUE	1500	3420	7260	13700	26500	38000	79000
			OUTPUT TORQUE	1440	2880	7200	10800	21600	36000	72000
			SERVICE FACTOR	1.04	1.19	1.01	1.27	1.23	1.06	1.10
			OVERHUNG LOAD	352	352	541	1500	1556	1796	2281
50	1750	35.0	MAX. INPUT HP	0.75	1.50	3.00	7.50	10.00	20.00	40.00
			MAX. TORQUE	1500	3420	7260	13700	26500	38000	79000
			OUTPUT TORQUE	1350	2700	5400	13500	18000	36000	72000
			SERVICE FACTOR	1.11	1.27	1.34	1.01	1.47	1.06	1.10
			OVERHUNG LOAD	383	383	592	1694	1724	2010	2520
60	1750	29.2	MAX. INPUT HP	0.50	1.50	3.00	5.00	10.00	15.00	30.00
			MAX. TORQUE	1500	3420	7260	13700	26500	38000	79000
			OUTPUT TORQUE	1080	3240	6480	10800	21600	32400	64800
			SERVICE FACTOR	1.39	1.06	1.12	1.27	1.23	1.17	1.22
			OVERHUNG LOAD	413	413	663	1740	1985	2179	2878
70	1750	25.0	MAX. INPUT HP	0.50	1.00	2.00	5.00	10.00	15.00	30.00
			MAX. TORQUE	1500	3420	7260	13700	26500	38000	79000
			OUTPUT TORQUE	1260	2520	5040	12600	25200	37800	75600
			SERVICE FACTOR	1.19	1.36	1.44	1.09	1.05	1.01	1.04
			OVERHUNG LOAD	439	439	694	1832	2056	2306	3036
80	1750	21.9	MAX. INPUT HP	0.50	1.00	2.00	3.00	7.50	10.00	25.00
			MAX. TORQUE	1500	3420	7260	13700	26500	38000	79000
			OUTPUT TORQUE	1440	2880	5760	8640	21600	28800	72000
			SERVICE FACTOR	1.04	1.19	1.26	1.59	1.23	1.32	1.10
			OVERHUNG LOAD	450	459	735	1939	2245	2413	3092
90	1750	19.4	MAX. INPUT HP	0.33	1.00	2.00	3.00	7.50	10.00	20.00
			MAX. TORQUE	1500	3420	7260	13700	26500	38000	79000
			OUTPUT TORQUE	1069	3240	6480	9720	24300	32400	64800
			SERVICE FACTOR	1.40	1.06	1.12	1.41	1.09	1.17	1.22
			OVERHUNG LOAD	450	459	786	1939	2296	2444	3337
100	1750	17.5	MAX. INPUT HP	0.33	0.75	2.00	3.00	5.00	10.00	20.00
			MAX. TORQUE	1500	3420	7260	13700	26500	38000	79000
			OUTPUT TORQUE	1188	2700	7200	10800	18000	36000	72000
			SERVICE FACTOR	1.26	1.27	1.01	1.27	1.47	1.06	1.10
			OVERHUNG LOAD	450	459	811	1939	2296	2587	3449
110	1750	15.9	MAX. INPUT HP	0.33	0.75	1.50	3.00	5.00	7.50	15.00
			MAX. TORQUE	1500	3420	7260	13700	26500	38000	79000
			OUTPUT TORQUE	1307	2970	5940	11880	19800	29700	59400
			SERVICE FACTOR	1.15	1.15	1.22	1.15	1.34	1.28	1.33
			OVERHUNG LOAD	450	459	827	1939	2296	2663	3485
120	1750	14.6	MAX. INPUT HP	0.33	0.75	1.50	3.00	5.00	7.50	15.00
			MAX. TORQUE	1500	3420	7260	13700	26500	38000	79000
			OUTPUT TORQUE	1425	3240	6480	12960	21600	32400	64800
			SERVICE FACTOR	1.05	1.06	1.12	1.06	1.23	1.17	1.22
			OVERHUNG LOAD	450	459	837	1939	2296	2699	3561
130	1750	13.5	MAX. INPUT HP	0.25	0.50	1.50	2.00	5.00	7.50	15.00
			MAX. TORQUE	1500	3420	7260	13700	26500	38000	79000
			OUTPUT TORQUE	1170	2340	7020	9360	23400	35100	70200
			SERVICE FACTOR	1.28	1.46	1.03	1.46	1.13	1.08	1.13
			OVERHUNG LOAD	450	459	850	1939	2296	2699	3561
150	1750	11.7	MAX. INPUT HP	0.25	0.50	1.00	2.00	3.00	5.00	10.00
			MAX. TORQUE	1500	3420	7260	13700	26500	38000	79000
			OUTPUT TORQUE	1350	2700	5400	10800	16200	27000	54000
			SERVICE FACTOR	1.11	1.27	1.34	1.27	1.64	1.41	1.46
			OVERHUNG LOAD	450	459	850	1939	2296	2699	3561

TORQUE: IN./LB  
O.H.L. Kg.

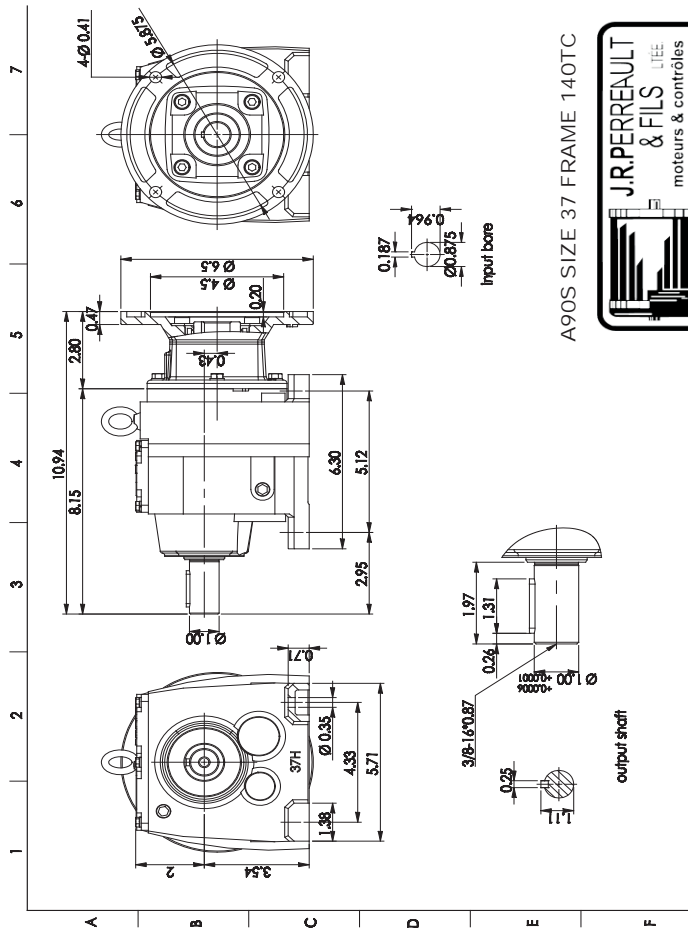


		Lubricant(l)										
Size		A75S/17	A90S/37	A115S/47	A130S/67	A140S/77	A180S/87	A225S/97	A250S/107	A315S/137	A340S/147	
Lubricant	(H*)	M1	0.24	0.3	0.7	1.1	1.2	2.3	4.6	6	10	15.4
		M2	0.6	1.05	1.65	3.5	4.1	7.7	13.4	19.2	31.5	52
		M3	0.6	0.85	1.6	1.6	3.8	6.7	11.7	16.3	28	46.5
		M4	0.35	0.95	1.5	2.8	3.6	7.2	11.7	16.9	29.5	48
		M5	0.35	0.95	1.5	2	3.4	6.5	11.7	15.9	25	41
		M6	0.35	0.75	1.5	1.8	2.5	6.3	11.3	13.2	25	39.5
	(V*)	MA	0.25	0.95	1.5	2.5	2.6	6	10.2	14.9	25	42
		MB	0.6	1.05	1.65	3.6	4.1	7.7	14	19.2	32.5	52
		MC	0.6	0.9	1.6	2.6	4.1	7.9	14	19	27	47

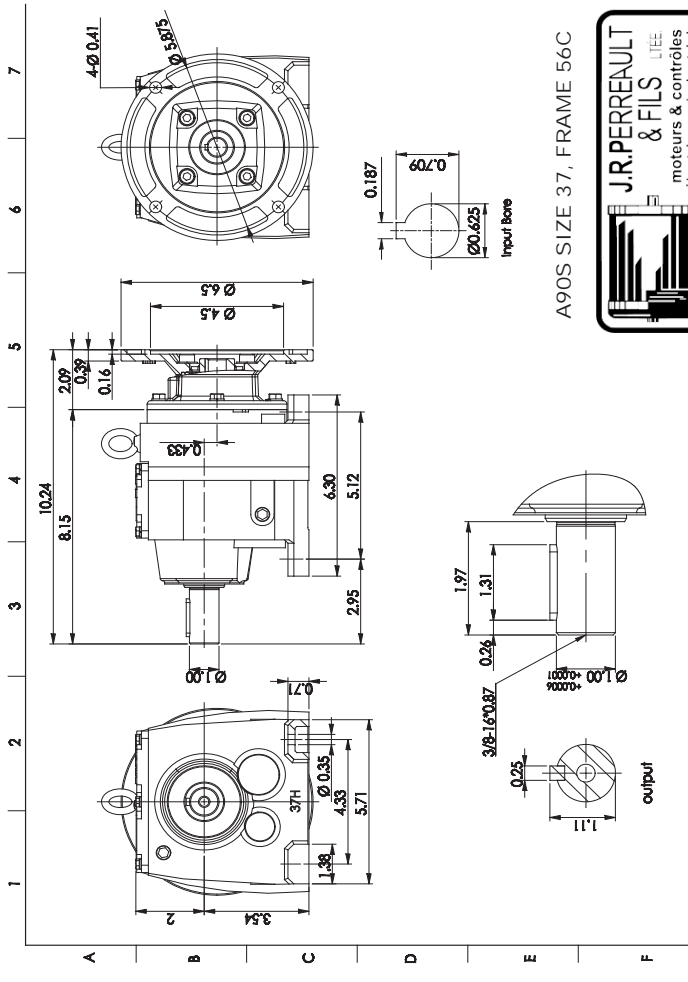
\* H: Horizontal

\* V: Vertical

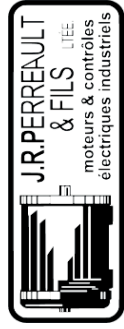
HELICAL IN LINE REDUCERS, SEAL AND BEARING PART LIST						
Size	Input Shaft			Output Shaft		
	Bearing	Oil Seal		Bearing	Oil Seal	Key
A70S 17	PBA6005ZZ*2	PSS025047061*1		PBA6201*1 PBA6204ZZ*1	PSS025047061*1	PKD0606032*1
	PBA6005ZZ*2	PSS025047061*1				
	PBA6005ZZ*2	PSS030055071*1				
A90S 37	PBA6006ZZ*2	PSS030047061*1		PBA6206ZZ*1 PBA6205*1	PSS035062111*1	PKD0807040*1
	PBA6008ZZ*2	PSS040055081*1				
A115S 47	PBA6006ZZ*2	PSS030047061*1		PBA6207ZZ*1 PBA6206*1	PSS040072101*1	PKD0807050*1
	PBA6008ZZ*2	PSS040055081*1				
	PBA6009ZZ*2	PSS045069091*1				
A130S 67	PBA6006ZZ*2	PSS030047061*1		PBA6208ZZ*1 PBA6207*1	PSS050080121*1	PKD1008055*1
	PBA6008ZZ*2	PSS040055081*1				
	PBA6009ZZ*2	PSS045060091*1				
A140S 77	PBA6008ZZ*2	PSS040055081*1		PBA6209ZZ*1 PBA6208*1	PSS055085121*1	PKD1208070*1
	PBA6009ZZ*2	PSS045060091*1				
	PBA6210ZZ*1 PBA6211ZZ*1	PSS055080101*1				
A180S 87	PBA6008ZZ*2	PSS040055081*1		PBA6311ZZ*1 PBA6210*1	PSS065120151*1	PKD1409080*1
	PBA6009ZZ*2	PSS045060091*1				
	PBA6210ZZ*1 PBA6211ZZ*1	PSS055080101*1				
	PBA6212ZZ*1 PBA6213ZZ*1	PSS065090121*1				
A225S 97	PBA6009ZZ*2	PSS045060091*1		PBA6212*1 PBA6313ZZ*1	PSS072140121*1	PKD1811110*1
	PBA6210ZZ*1 PBA6211ZZ*1	PSS055080101*1				
	PBA6212ZZ*1 PBA6213ZZ*1	PSS065090121*1				
	PBA6215ZZ*1 PBA6216ZZ*1	PSS080105131*1				
	PBA6215ZZ*1 PBA6216ZZ*1	PSS080105131*1				
A250S 107	PBA6210ZZ*1 PBA6211ZZ*1	PSS055080101*1		PBA6214*1 PBA6315*1	PSS090160131*1	PKD2012125*1
	PBA6212ZZ*1 PBA6213ZZ*1	PSS065090121*1				
	PBA6215ZZ*1 PBA6216ZZ*1	PSS080105131*1				
	PBA6215ZZ*1 PBA6216ZZ*1	PSS080105131*1				
	PBA6215ZZ*1 PBA6217ZZ*1	PSS085120131*1				
A315S 137	PBA6212ZZ*1 PBA6213ZZ*1	PSS065090121*1		PBA6216*1 PBA6318*1	PSS117190151*1	PKD2514160*1
	PBA6215ZZ*1 PBA6216ZZ*1	PSS080105131*1				
	PBA6215ZZ*1 PBA6216ZZ*1	PSS080105131*1				
	PBA6215ZZ*1 PBA6217ZZ*1	PSS085120131*1				
	PBA6216ZZ*1 PBA6219ZZ*1	PSS095120131*1				
A340S 147	PBA6212ZZ*1 PBA6213ZZ*1	PSS065090121*1		PBJ6322ZZ*1 PBA6220*1	PSS130240201*1	PKD2816180*1
	PBA6215ZZ*1 PBA6216ZZ*1	PSS080105131*1				
	PBA6215ZZ*1 PBA6216ZZ*1	PSS080105131*1				
	PBA6215ZZ*1 PBA6217ZZ*1	PSS085120131*1				
	PBA6216ZZ*1 PBA6219ZZ*1	PSS095120131*1				
	PBA6217ZZ*1 PBA6221ZZ*1	PSS105125131*1				

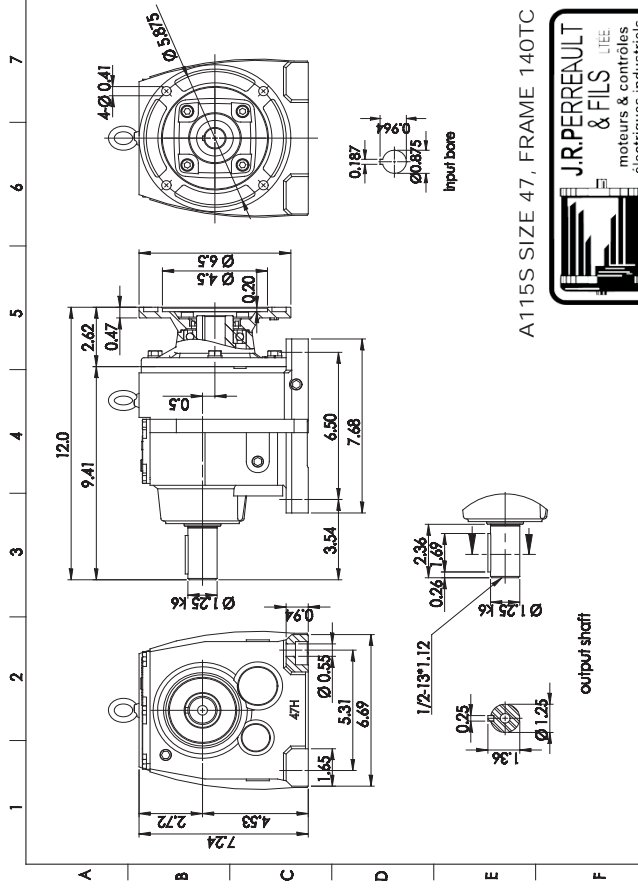


A90S SIZE 37 FRAME 140TC

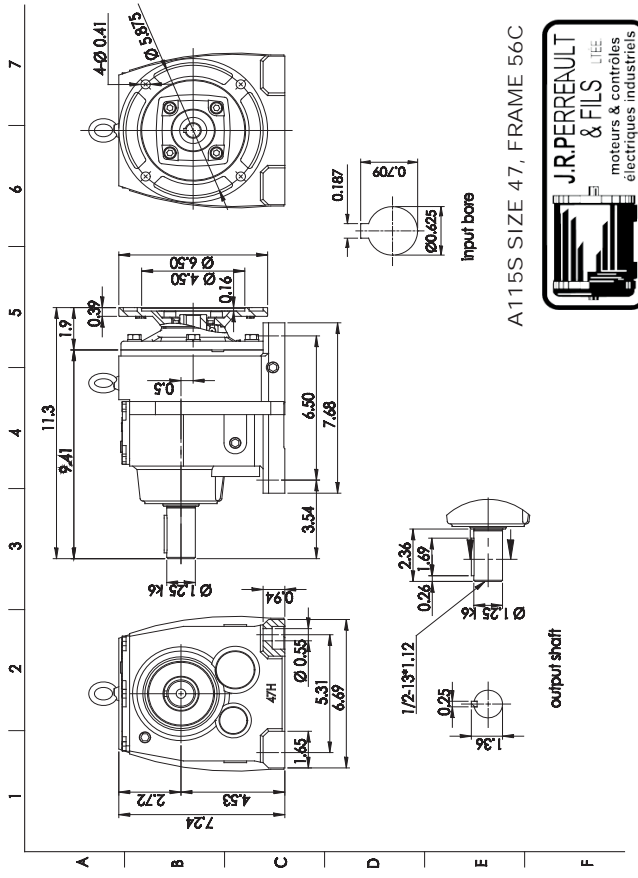
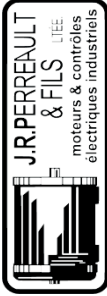


A90S SIZE 37, FRAME 56C

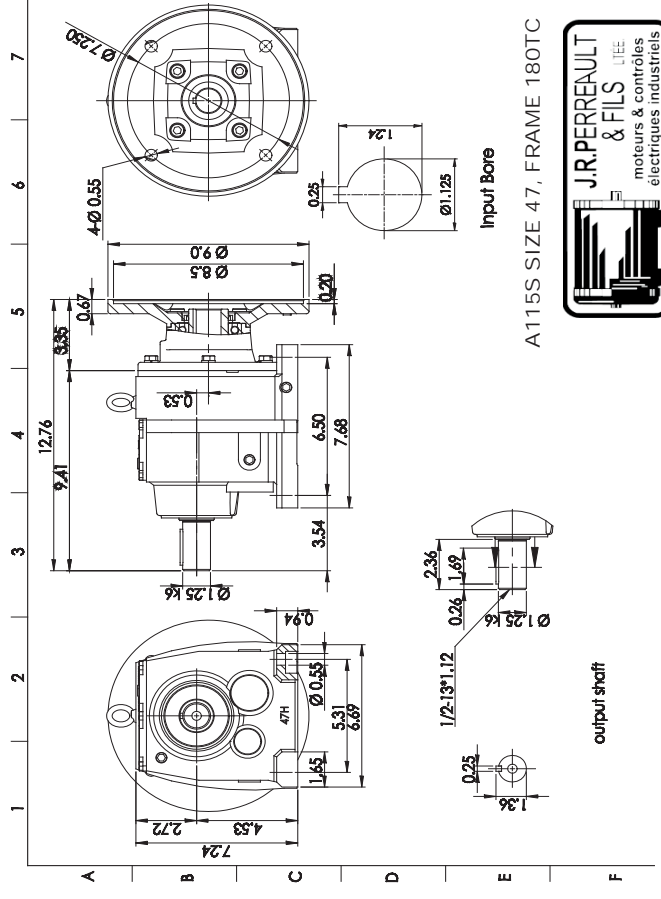
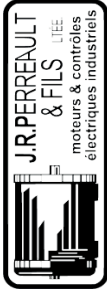




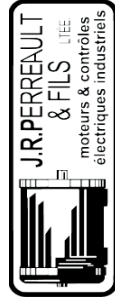
A115S SIZE 47, FRAME 140TC

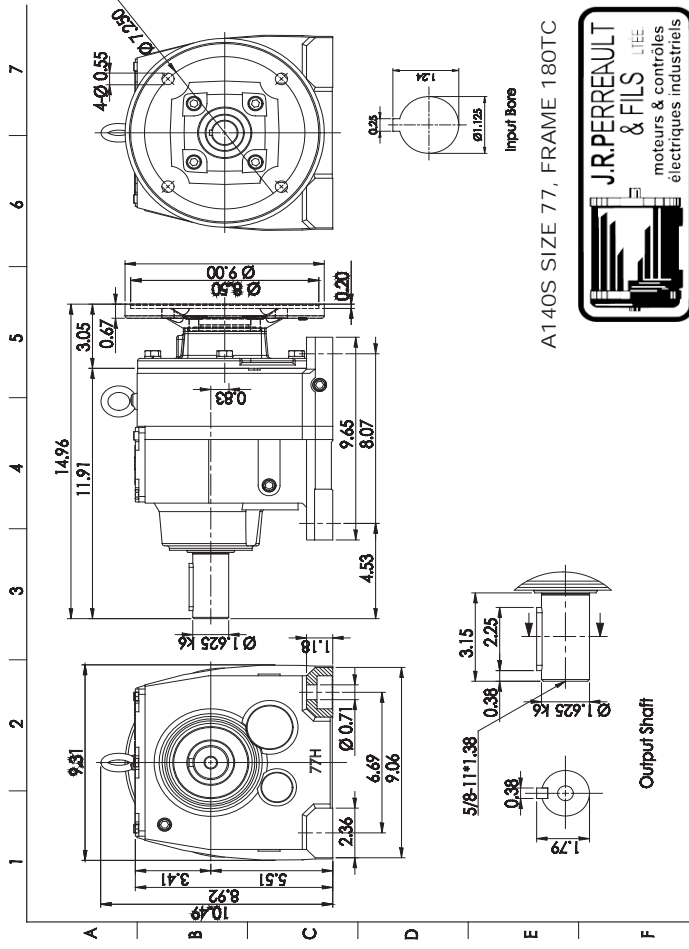


A115S SIZE 47, FRAME 56C

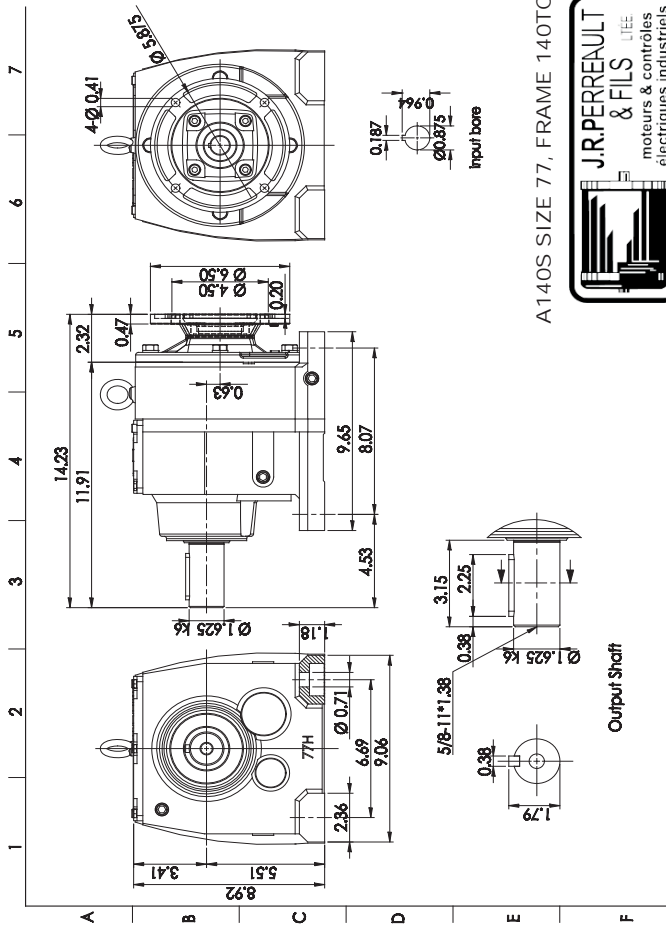
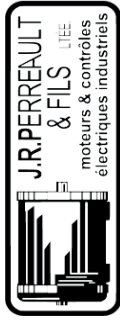


A115S SIZE 47, FRAME 180TC

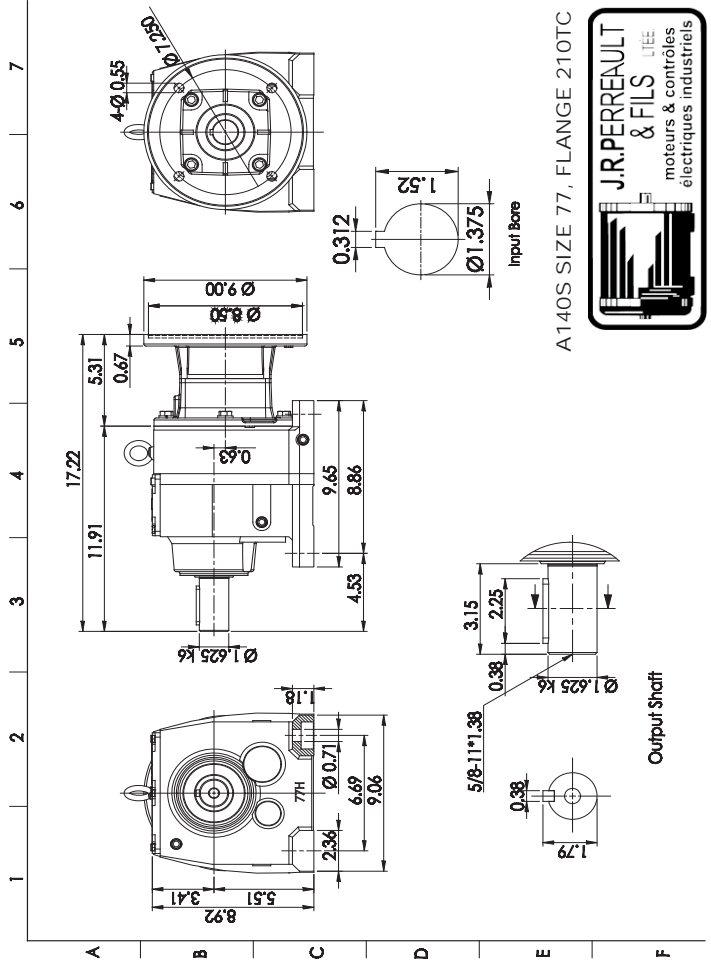
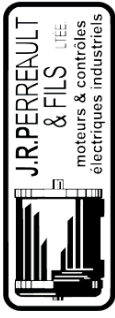




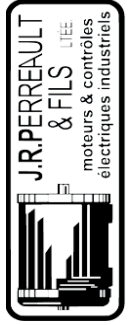
A140S SIZE 77, FRAME 180TC



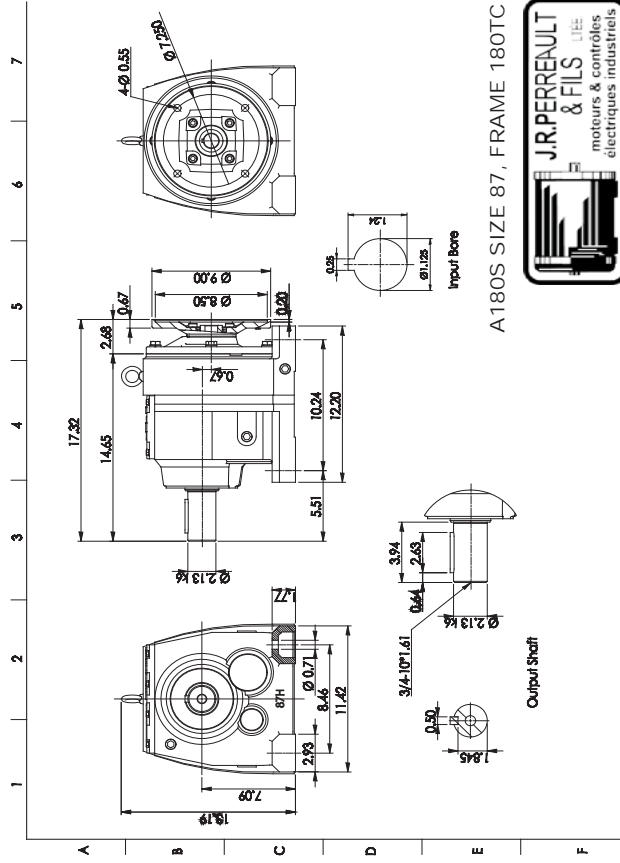
A140S SIZE 77, FRAME 140TC



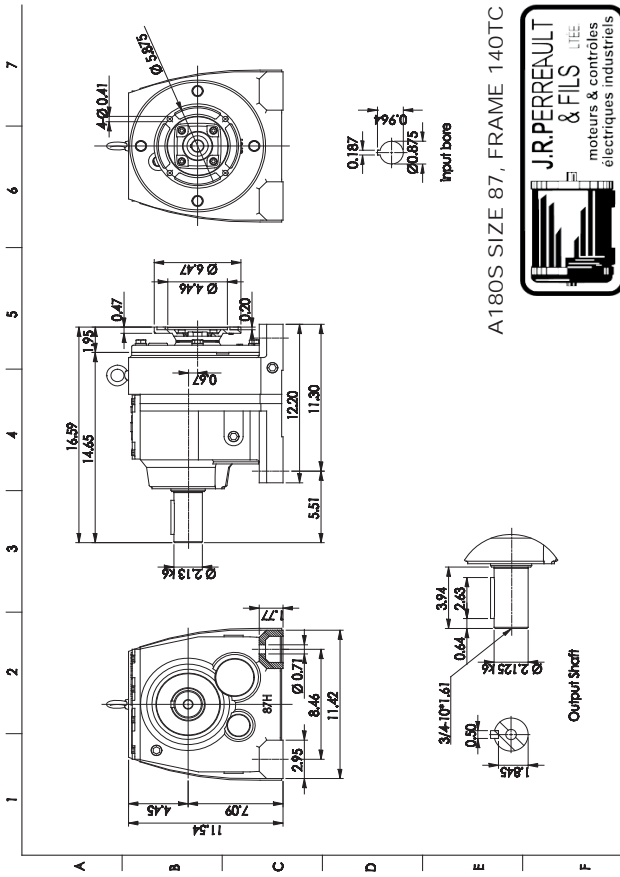
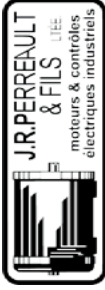
A140S SIZE 77, FLANGE 210TC



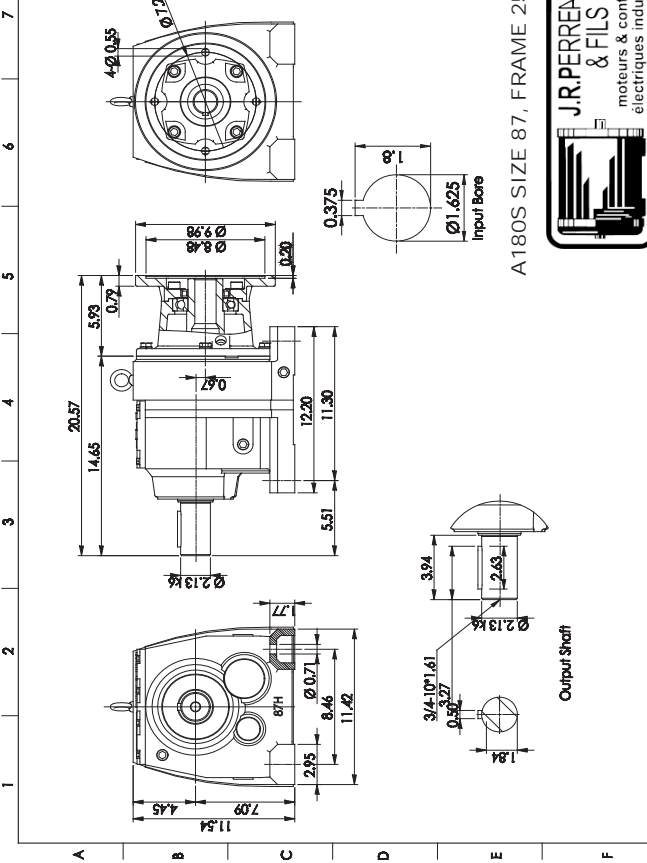
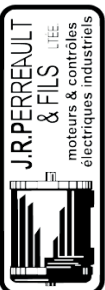




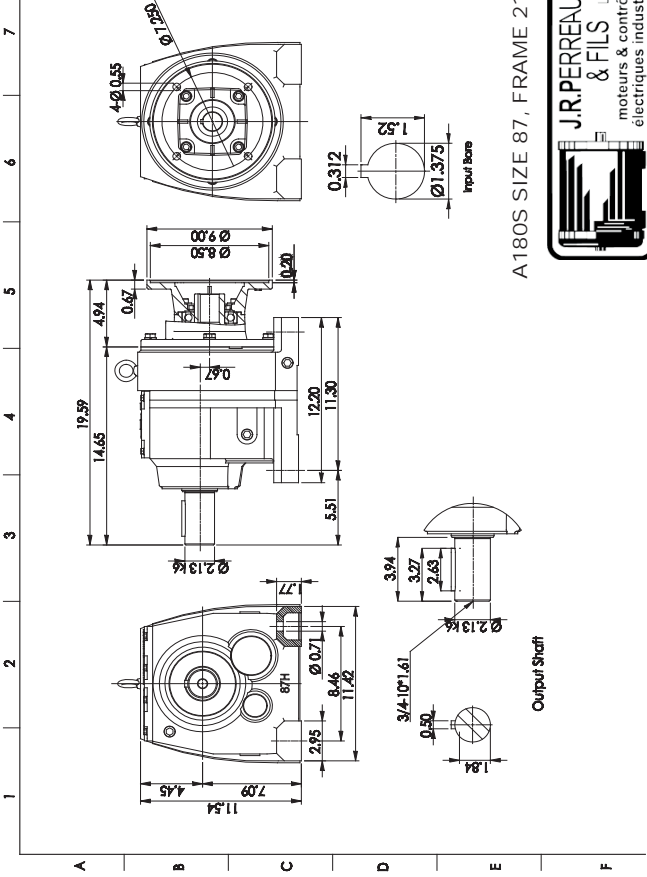
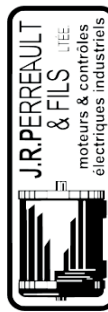
A180S SIZE 87, FRAME 180TC



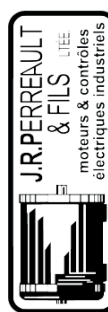
A180S SIZE 87, FRAME 140TC

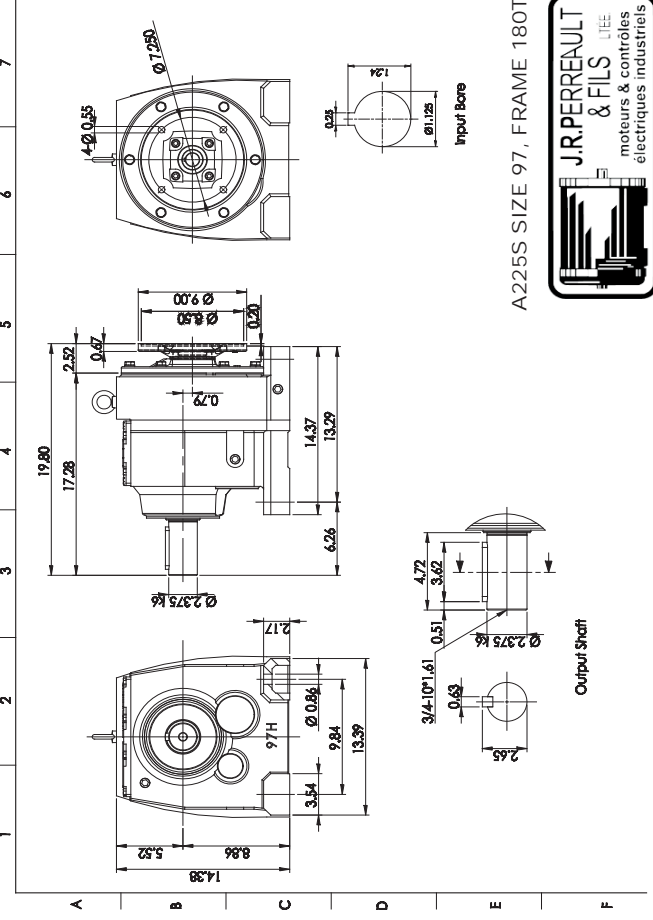


A180S SIZE 87, FRAME 250TC

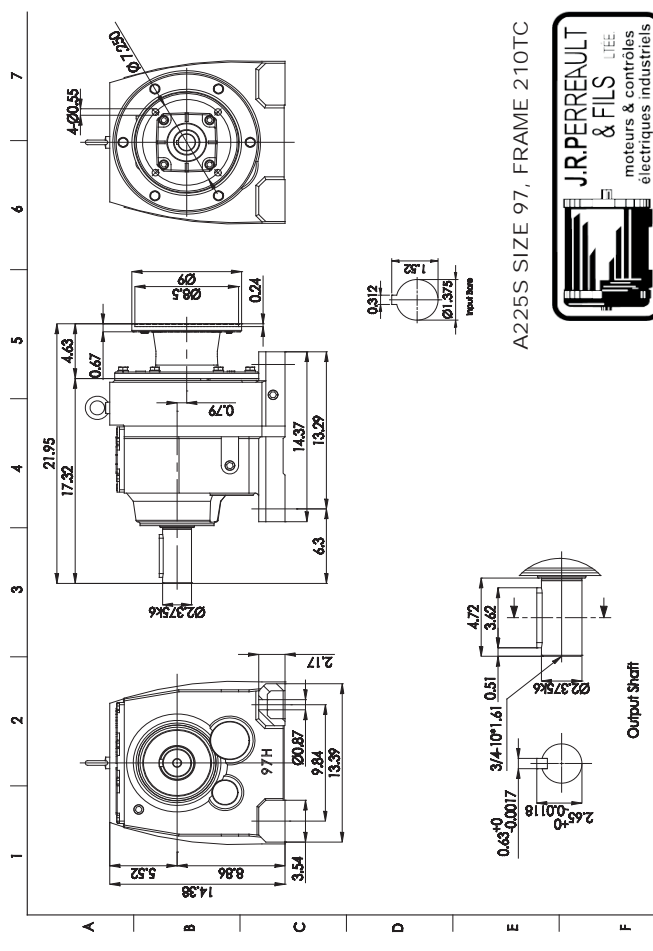
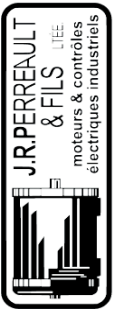


A180S SIZE 87, FRAME 210TC

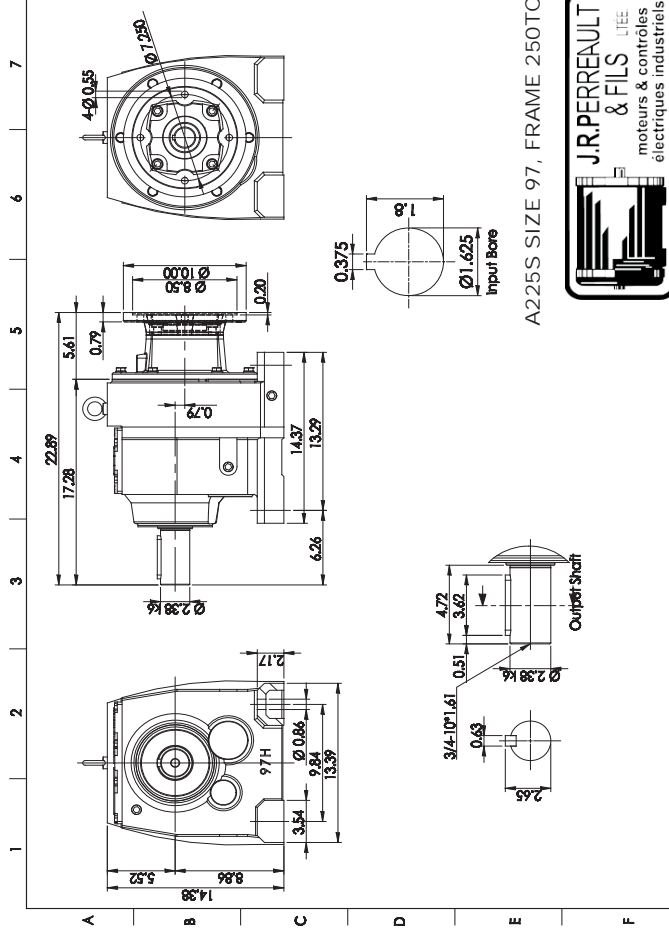
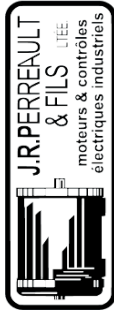




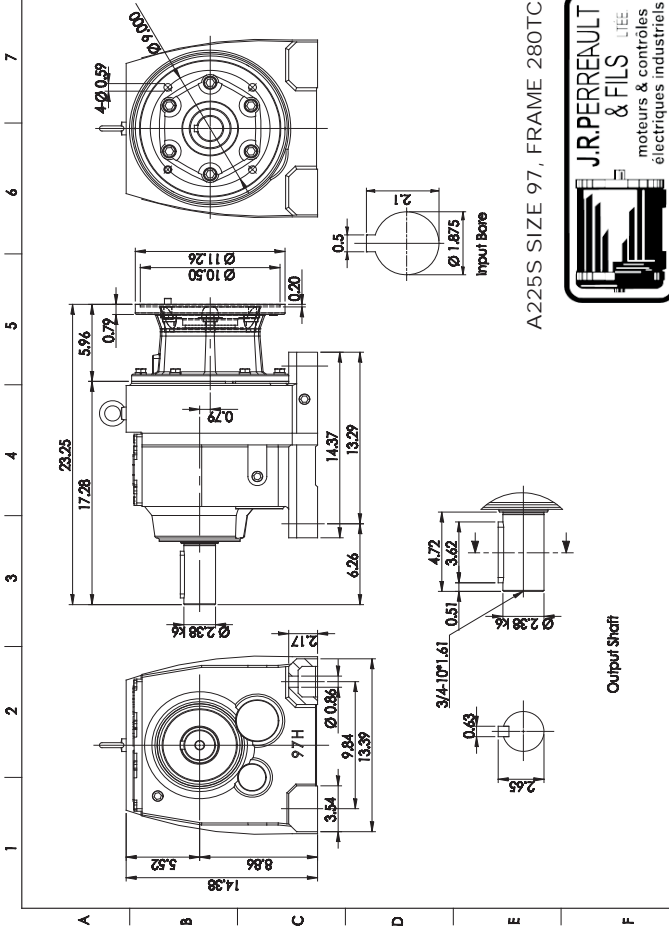
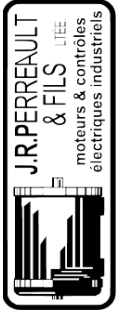
A225S SIZE 97, FRAME 180TC



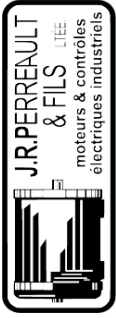
A225S SIZE 97, FRAME 210TC

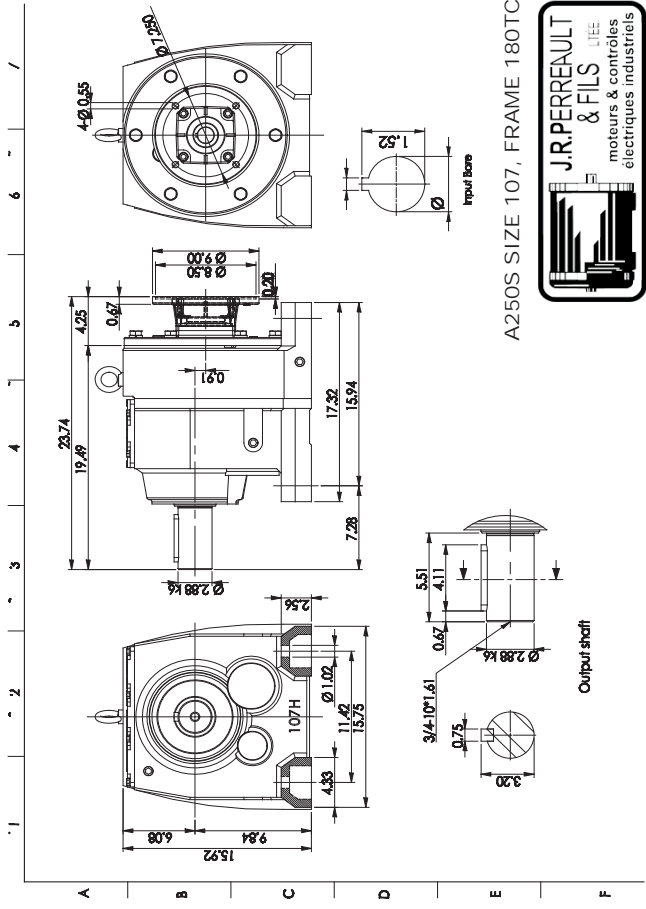


A225S SIZE 97, FRAME 250TC

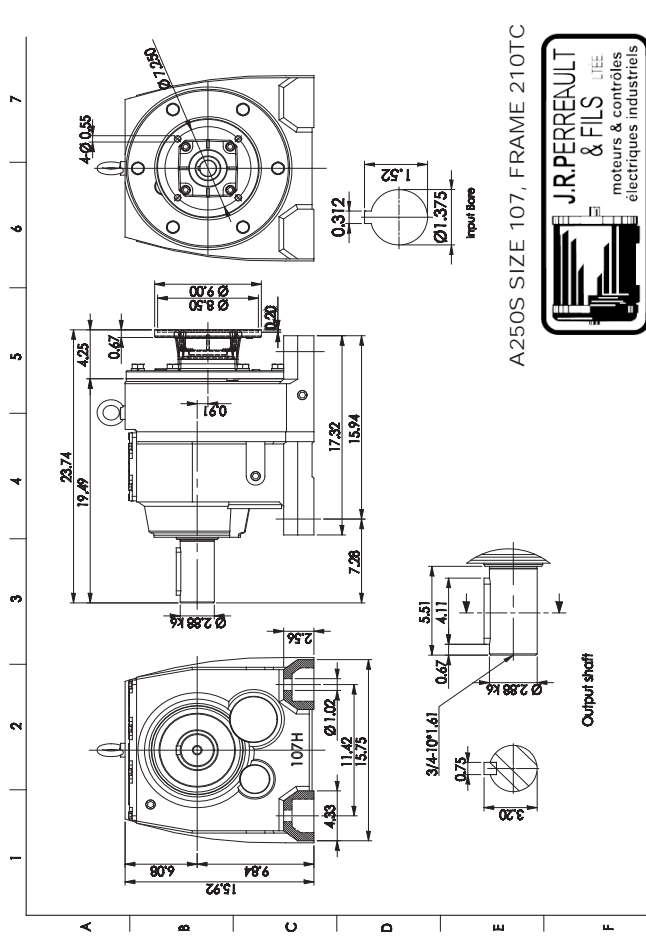
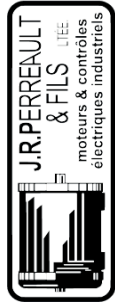


A225S SIZE 97, FRAME 280TC

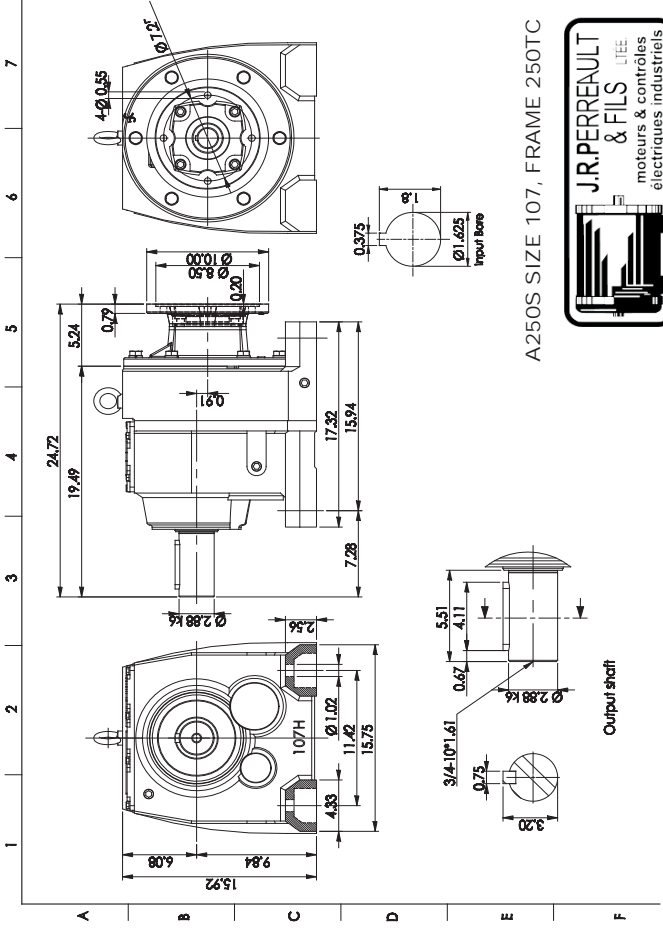
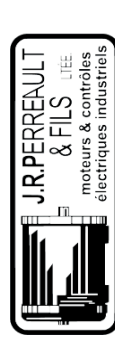




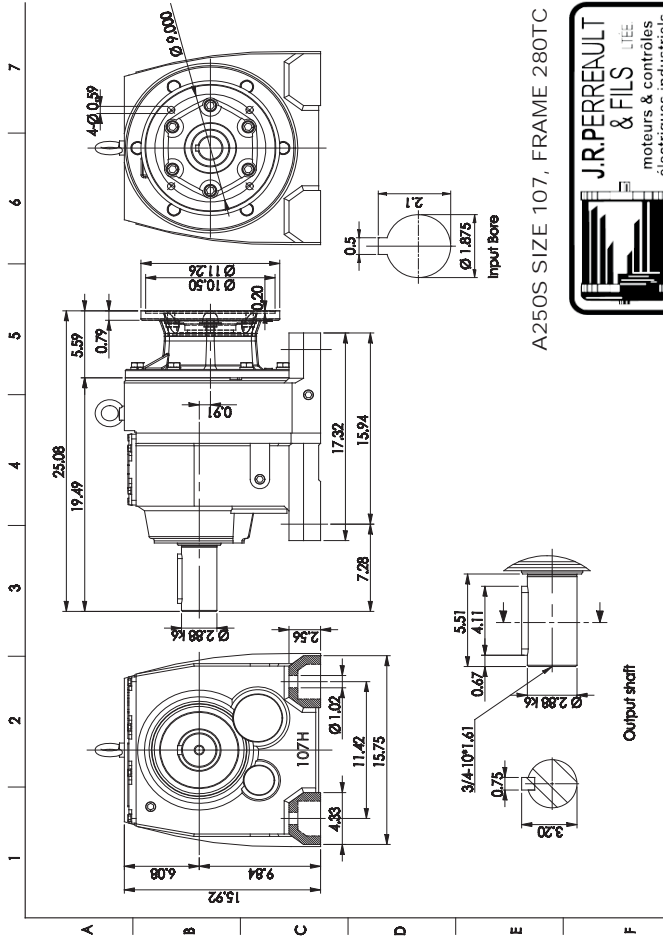
A250S SIZE 107, FRAME 180TC



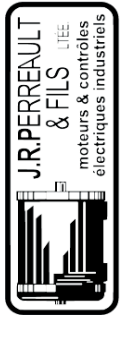
A250S SIZE 107, FRAME 210TC

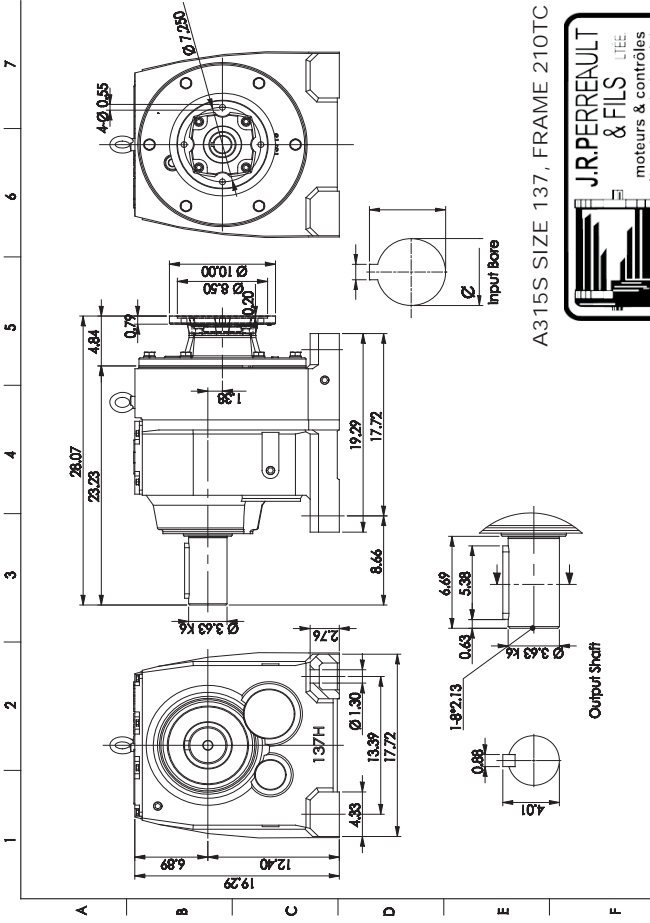


A250S SIZE 107, FRAME 250TC

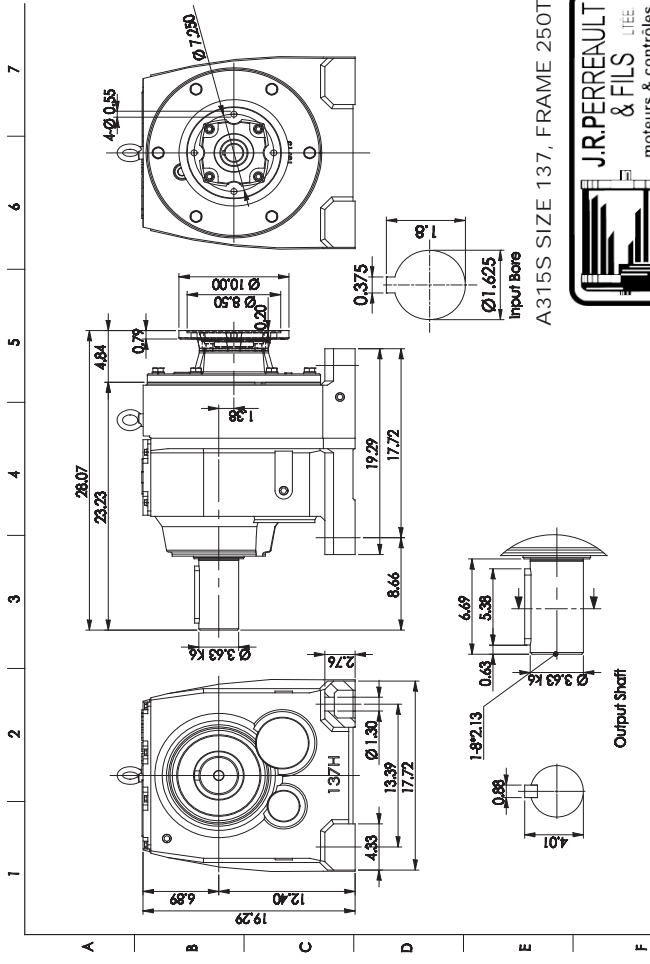
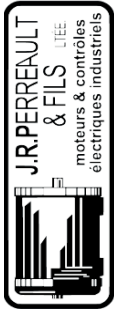


A250S SIZE 107, FRAME 280TC

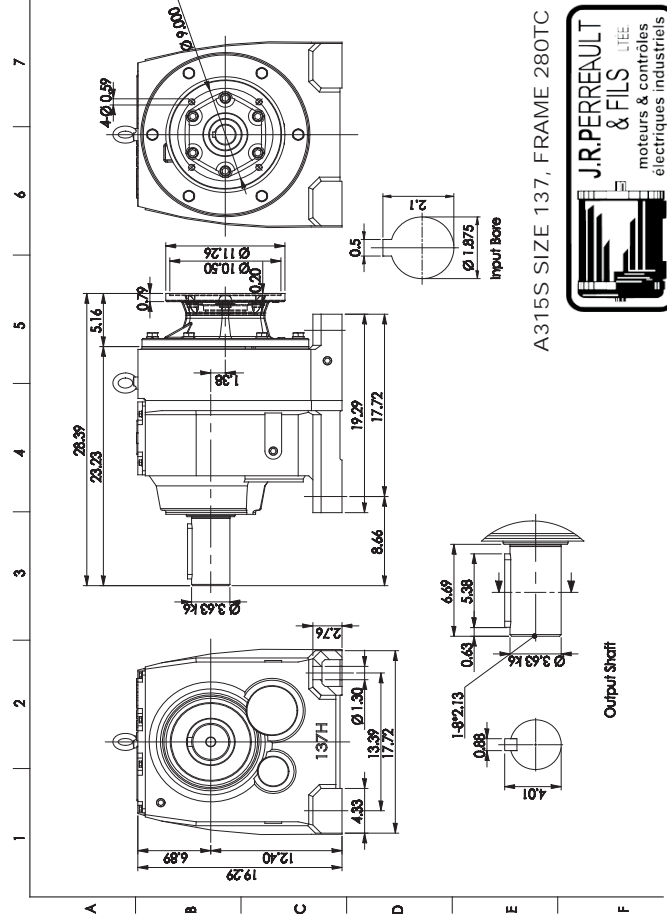
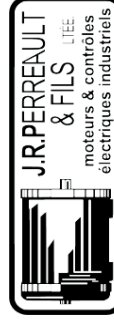




A315S SIZE 137, FRAME 210TC



A315S SIZE 137, FRAME 250TC



A315S SIZE 137, FRAME 280TC

