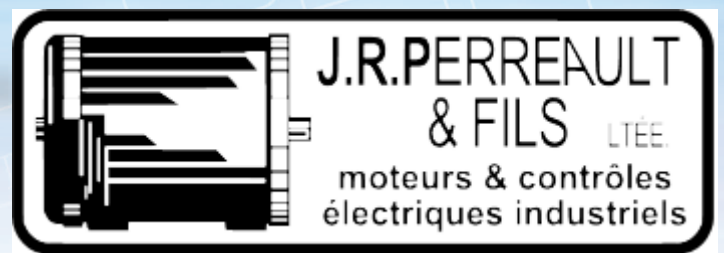
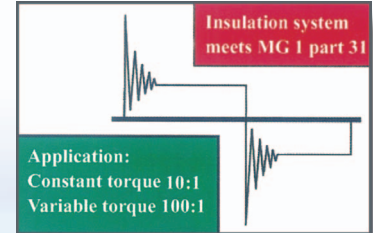


# SUPER-MAX INDUCTION MOTOR

PREMIUM EFFICIENCY SERIES  
OPEN DRIP PROOF  
FRAME: 143T~5807N



# TATUNG SUPERMAX-ODP

## STANDARD FEATURES

### POWER SUPPLY

3 phase, 60Hz, 230/460 & 575V. 50Hz and other voltages are also available on request

### LAMINATION

Premium-grade low-loss core steel reduces eddy current losses. Longer core reduces core losses further by lower operating flux densities.

### LARGER ROTOR BAR

The use of larger rotor conductor bars increases size of cross section and the losses are reduced due to lower conductor resistance.

### MORE COPPER OF WINDING

The use of more copper and larger conductor increases cross-sectional area of stator winding.

This lower resistance of the winding and reduce losses are due to improved current flow.

All windings treated with a minimum of two dips and bakes of non-hygroscopic varnish ensure reliable motor operation in humid, corrosive and abrasive industrial environment.

### INVERTER RATED

Meets NEMA MG1 part 31.  
CT 10 : 1 VT 100 : 1 CH 2 : 1  
We use Inverter Duty wire.

### DIRECTION OF ROTATION

All standard motors are suitable for bi-directional operation.

Normal direction of rotation is C.C.W. (viewed from drive end)

### ALTITUDE

Standard motors are designed for application at an altitude 3,300 feet. (1,000 m)

### AMBIENT TEMPERATURE

Standard motors are suitable for ambient temperature range -20°C ~ 40°C

### ROTOR

Die cast aluminum rotor bar with integrally cast end rings and cooling fan. Surface treated for corrosion resistance. Rotor and shaft assembly is dynamically balanced to assure vibration free, reliable and quiet operation. Optimum slot design contributes to higher torques, low temperature rise and quiet operation.

### BEARING

Oversized, pre-lubricated, double shielded ball bearing is used up to 280T. Oversized, regreaseable bearing is used for frame 320T and larger.

A high-quality, wide temperature range and rust inhibiting grease, provides minimum friction losses and longer operating life. Grease pipes and relief vents with plug are provided for all regreaseable bearing construction.

### INTERCHANGEABILITY

All motors are built to standardized design, machined to fine limits and all spare parts are interchangeable.

F1 & F2 mounting interchangeable ability (frame 250T to 447T)

### PAINTING

All inside exposed surfaces are cleaned and applied with rust-proof coating.

Outside exterior is painted with Alkyd Resin Primer and with finish coat of Polyurethane Paint.

Standard color is Wood Smoke Grey (Munsell notation 7.5Y 8.9/0.4)

### FRAME AND END BRACKET

Main frame and end bracket are cast iron for excellent corrosion resistance. Cast iron main frame with integral cast feet and cast iron end bracket will better withstand stress and vibration under normal and severe duty.

### CONDUIT BOX

Oversized conduit box made of pressed steel provides ample space for connection. Diagonally split, rotatable in 90° position which allow for conduit to be received from any direction. Rubber gasket between frame and conduit box assures perfect seal and prevents lead wire damage.

Earth terminal is provided inside the main terminal box. Standard position of T-box is at left side viewed from drive end (F1). Cast iron terminal box is available on request.

### LEADS

	140T 180T	Up to 150HP		200HP and larger		320T And Below	360T And Above
		3600 (RPM)	1800/1200 (RPM)	3600 (RPM)	1800/1200 (RPM)		
Volt	230/460	230/460		460		575	
Lead	9	12	12	6	12	3	6
D.O.L.	YES	YES	YES	YES	YES	YES	YES
Y-Δ	N/A	YES	YES	YES	YES	N/A	YES
Part Winding	N/A	N/A	YES (230V)	N/A	YES	N/A	N/A

### INSULATION

All windings dipped and baked with non-hygroscopic varnish ensures reliable motor operation in humid, corrosive and abrasive industrial environment.

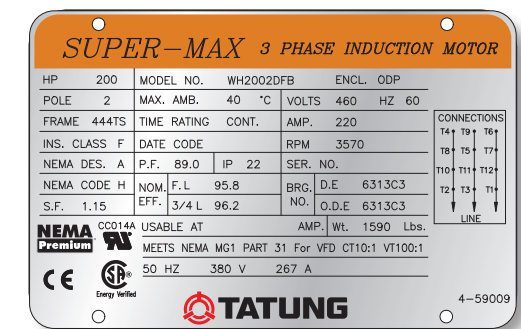
### GREASE

Use high quality grease to improve bearing performance, protection and long motor life.

(Lithium grease for 286T and below, Exxon Polyrex EM grease for 324T and above.)

### NAMEPLATE

Permanent, long life corrosion-free stainless steel nameplate complete with connection diagram.



### NOISE LEVEL MEET NEMA MG-1 PART 9

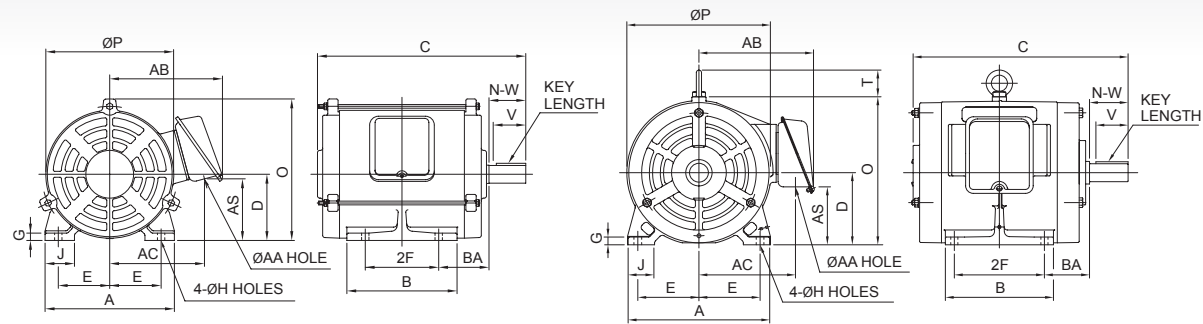


FIG. 1

FIG. 2

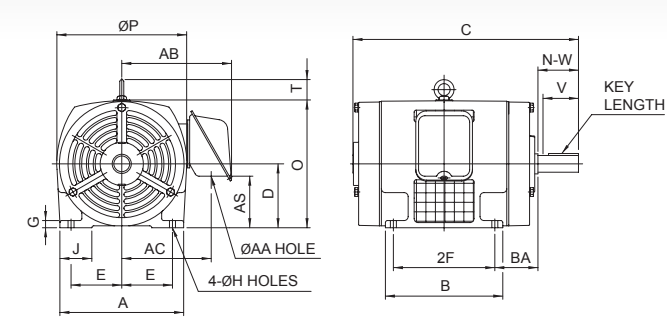


FIG. 3

FIG. 4

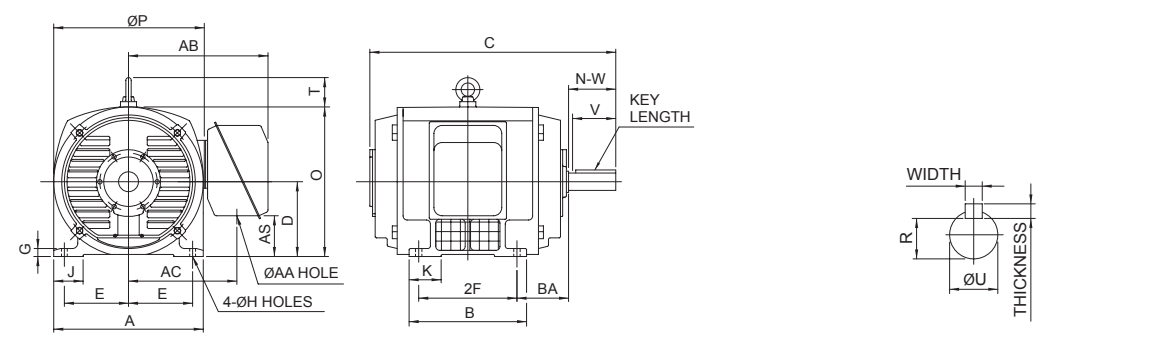


FIG. 5

FIG. 6

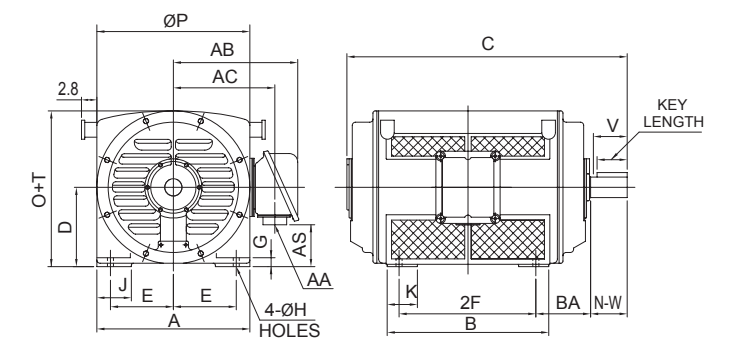


FIG. 7

Frame No.	Fig. No.	Mounting			BA	A	B	C	D	G	J	K	P	O+T
		E	2F	H										
143T	1	2.75	4.00	0.34	2.25	6.92	4.92	10.53	3.50	0.35	1.57	---	6.81	7.54
145T		2.75	5.00	0.34	2.25	6.92	5.90	11.50	3.50	0.35	1.57	---	6.81	7.54
182T	2	3.75	4.50	0.41	2.75	8.66	5.62	13.72	4.50	0.56	1.57	---	8.70	10.77
184T		3.75	5.50	0.41	2.75	8.66	6.61	14.71	4.50	0.56	1.57	---	8.70	10.77
213T	2	4.25	5.50	0.41	3.50	10.24	7.09	17.51	5.25	0.76	1.97	---	10.55	12.45
215T		4.25	7.00	0.41	3.50	10.24	8.66	19.04	5.25	0.76	1.97	---	10.55	12.45
254T	3	5.00	8.25	0.53	4.25	12.20	9.84	20.67	6.25	0.66	3.15	---	12.80	14.55
256T		5.00	10.00	0.53	4.25	12.20	11.57	22.40	6.25	0.66	3.15	---	12.80	14.55
284TS	4	5.50	9.50	0.53	4.75	12.76	11.26	22.45	7.00	0.70	3.15	---	14.76	16.84
284T		5.50	9.50	0.53	4.75	12.76	11.26	23.82	7.00	0.70	3.15	---	14.76	16.84
286TS	4	5.50	11.00	0.53	4.75	12.76	12.76	23.95	7.00	0.70	3.15	---	14.76	16.84
286T		5.50	11.00	0.53	4.75	12.76	12.76	25.32	7.00	0.70	3.15	---	14.76	16.84
324TS	4	6.25	10.50	0.66	5.25	14.88	12.68	24.76	8.00	0.91	3.15	3.15	16.69	18.82
324T		6.25	10.50	0.66	5.25	14.88	12.68	26.26	8.00	0.91	3.15	3.15	16.69	18.82
326TS	4	6.25	12.00	0.66	5.25	14.88	14.17	26.26	8.00	0.91	3.15	3.15	16.69	18.82
326T		6.25	12.00	0.66	5.25	14.88	14.17	27.76	8.00	0.91	3.15	3.15	16.69	18.82
364TS	4	7.00	11.25	0.66	5.88	16.38	13.43	27.00	9.00	1.01	3.55	2.95	18.31	21.05
364T		7.00	11.25	0.66	5.88	16.38	13.43	29.13	9.00	1.01	3.55	2.95	18.31	21.05
365TS	4	7.00	12.25	0.66	5.88	16.38	14.41	28.00	9.00	1.01	3.55	2.95	18.31	21.05
365T		7.00	12.25	0.66	5.88	16.38	14.41	30.13	9.00	1.01	3.55	2.95	18.31	21.05
404TS	5	8.00	12.25	0.81	6.62	19.69	14.96	30.10	10.00	1.03	3.94	4.13	20.24	23.78
404T		8.00	12.25	0.81	6.62	19.69	14.96	33.10	10.00	1.03	3.94	4.13	20.24	23.78
405TS	5	8.00	13.75	0.81	6.62	19.69	16.54	31.60	10.00	1.03	3.94	4.13	20.24	23.78
405T		8.00	13.75	0.81	6.62	19.69	16.54	34.60	10.00	1.03	3.94	4.13	20.24	23.78
444TS	5	9.00	14.50	0.81	7.50	22.05	17.32	33.95	11.00	1.18	4.33	4.72	22.05	26.35
444T		9.00	14.50	0.81	7.50	22.05	17.32	37.70	11.00	1.18	4.33	4.72	22.05	26.35
445TS	5	9.00	16.50	0.81	7.50	22.05	19.29	35.95	11.00	1.18	4.33	4.72	22.05	26.35
445T		9.00	16.50	0.81	7.50	22.05	19.29	39.70	11.00	1.18	4.33	4.72	22.05	26.35
447TS	5	9.00	20.00	0.81	7.50	22.05	22.83	39.46	11.00	1.18	4.33	4.72	22.05	27.14
447T		9.00	20.00	0.81	7.50	22.05	22.83	43.21	11.00	1.18	4.33	4.72	22.05	27.14
449TS	5	9.00	25.00	0.81	7.50	22.05	27.83	46.02	11.00	1.18	4.33	4.72	22.05	26.35
449T		9.00	25.00	0.81	7.50	22.05	27.83	49.77	11.00	1.18	4.33	4.72	22.05	26.35
505T	6	10.00	18.00	1.10	8.50	25.00	20.90	41.40	12.50	1.37	5.50	4.72	24.88	30.25
5007NS		10.00	22.00	1.10	8.50	25.00	24.90	44.30	12.50	1.37	5.50	4.92	24.88	30.25
5007N	6	10.00	22.00	1.10	8.50	25.00	24.90	45.50	12.50	1.37	5.50	4.92	24.88	30.25
5807N		11.50	25.00	1.10	10.00	28.00	29.50	53.18	14.50	1.60	6.30	9.84	28.00	28.07

Width	Key		Key Seat R	Conduit Box				Shaft Extension			Bearing		Appr. WT (lb)	Frame No.
	Thickness	Length		AA	AB	AC	AS	N-W	U	V	Drive end	Opp. Drive end		
0.188	0.188	1.375	0.771	0.86	6.30	4.77	3.27	2.25	0.875	2.20	6205ZZ	6205ZZ	43	143T
0.188	0.188	1.375	0.771	0.86	6.30	4.77	3.27	2.25	0.875	2.20	6205ZZ	6205ZZ	55	145T
0.250	0.250	1.750	0.986	1.10	7.00	5.90	3.54	2.75	1.125	2.70	6207ZZ	6206ZZ	72	182T
0.250	0.250	1.750	0.986	1.10	7.00	5.90	3.54	2.75	1.125	2.70	6207ZZ	6206ZZ	97	184T
0.312	0.312	2.375	1.201	1.38	8.19	7.01	2.69	3.38	1.375	3.30	6308ZZ	6208ZZ	140	213T
0.312	0.312	2.375	1.201	1.38	8.19	7.01	2.69	3.38	1.375	3.30	6308ZZ	6208ZZ	165	215T
0.375	0.375	2.875	1.416	2.05	11.10	8.82	5.09	4.00	1.625	3.90	6310ZZ	6208ZZ	260	254T
0.375	0.375	2.875	1.416	2.05	11.10	8.82	5.09	4.00	1.625	3.90	6310ZZ	6208ZZ	310	256T
0.375	0.375	1.875	1.416	2.48	13.18	10.55	4.05	3.25	1.625	3.20	6312ZZC3	6310ZZC3	374	284TS
0.500	0.500	3.250	1.591	2.48	13.18	10.55	4.05	4.62	1.875	4.50	6312ZZ	6310ZZ	380	284T
0.375	0.375	1.875	1.416	2.48	13.18	10.55	4.05	3.25	1.625	3.20	6312ZZC3	6310ZZC3	435	286TS
0.500	0.500	3.250	1.591	2.48	13.18	10.55	4.05	4.62	1.875	4.50	6312ZZ	6310ZZ	446	286T
0.500	0.500	2.000	1.591	2.48	14.09	11.61	5.44	3.75	1.875	3.50	6312C3	6312C3	575	324TS
0.500	0.500	3.875	1.845	2.48	14.09	11.61	5.44	5.25	2.125	5.00	6312	6312	583	324T
0.500	0.500	2.000	1.591	2.48	14.09	11.61	5.44	3.75	1.875	3.50	6312C3	6312C3	625	326TS
0.500	0.500	3.875	1.845	2.48	14.09	11.61	5.44	5.25	2.125	5.00	6312	6312	666	326T
0.500	0.500	2.000	1.591	3.58	14.81	12.24	6.64	3.75	1.875	3.50	6313C3	6313C3	745	364TS
0.625	0.625	4.250	2.021	3.58	14.81	12.24	6.64	5.88	2.375	5.75	6314	6313	750	364T
0.500	0.500	2.000	1.591	3.58	14.81	12.24	6.64	3.75	1.875	3.50	6313C3	6313C3	799	365TS
0.625	0.625	4.250	2.021	3.58	14.81	12.24	6.64	5.88	2.375	5.75	6314	6313	838	365T
0.500	0.500	2.750	1.845	4.64	20.08	15.08	4.29	4.25	2.125	4.00	6313C3	6313C3	1068	404TS
0.750	0.750	5.625	2.450	4.64	20.08	15.08	4.29	7.25	2.875	7.00	6317	6313	1090	404T
0.500	0.500	2.750	1.845	4.64	20.08	15.08	4.29	4.25	2.125	4.00	6313C3	6313C3	1161	405TS
0.750	0.750	5.625	2.450	4.64	20.08	15.08	4.29	7.25	2.875	7.00	6317	6313	1172	405T
0.625	0.625	3.000	2.021	4.64	20.86	15.98	5.51	4.75	2.375	4.50	6313C3	6313C3	1462	444TS
0.875	0.875	6.910	2.880	4.64	20.86	15.98	5.51	8.50	3.375	8.25	6318	6318	1543	444T
0.625	0.625	3.000	2.021	4.64	20.86	15.98	5.51	4.75	2.375	4.50	6313C3	6313C3	1553	445TS
0.875	0.875	6.910	2.880	4.64	20.86	15.98	5.51	8.50	3.375	8.25	6318	6318	1758	445T
0.625	0.625	3.000	2.021	4.64	20.86	15.98	5.51	4.75	2.375	4.50	6313C3	6313C3	2100	447TS
0.875	0.875	6.910	2.880	4.64	20.86	15.98	5.51	8.50	3.375	8.25	6318	6318	2100	447T
0.625	0.625	3.030	2.021	4.64	20.86	15.75	5.51	4.75	2.375	4.50	6313C3	6313C3	2150	449TS
0.875	0.875	6.875	2.880	4.64	20.86	15.75	5.51	8.50	3.375	8.25	6318	6318	2300	449T
0.875	0.875	5.500	3.261	NPT4	20.86	17.23	4.30	6.70	3.750	6.50	6320	6320	2500	505T
0.625	0.625	4.750	2.275	NPT4	26.42	20.03	5.22	5.50	2.625	5.30	6314C3	6314C3	3250	5007NS
1.000	1.000	5.500	3.309	NPT4	26.42	20.03	5.22	6.70	3.875	6.50	6224	6320	3400	5007N
1.000	1.000	6.700	3.817	NPT4	30.12	23.66	3.43	8.30	4.375	8.10	6224	6320	3850	5807N

NOTE: 1. Tolerance on dimension D: +0.00 inch, -0.06 inch  
 2. Tolerance on dimension U: +0.00 inch, -0.0005 inch for frame 143T~215T  
 +0.00 inch, -0.001 inch for frame 254T~5807N  
 3. Tolerance on dimension R: +0.00 inch, -0.015 inch.



# PERFORMANCE DATA

**SUPER-MAX NEMA PREMIUM® EFFICIENCY**  
 Open Drip Proof Squirrel Cage, NEMA Design A or B  
 3-Phase, 60Hz, 230 / 460,575V  
 1.15 S.F., F Insulation, 40 Deg.C Ambient

HP	Full Load RPM	NEMA Frame	Current at 230V		NEMA design classes	575V Full Load (A)	Torque			Efficiency			Power Factor		
			Full Load (A)	Locked Rotor (A)			Full Load (LB-FT)	Locked Rotor (%)	Break Down (%)	Full Load (%)	3/4 Load (%)	1/2 Load (%)	Full Load (%)	3/4 Load (%)	1/2 Load (%)
0.75	1140	143T	2.8	16	A	1.2	3.46	275	280	80.0	78.0	77.0	62.5	53.0	40.0
1	3450	143T	2.6	23	B	1.0	1.52	280	300	82.5	82.0	80.0	86.5	81.0	75.0
	1735	143T	3.0	20	B	1.2	3.03	270	265	85.5	86.0	80.0	76.5	68.0	55.5
	1145	145T	3.6	19.2	B	1.5	4.59	250	270	82.5	83.1	78.0	66.0	62.0	56.0
1.5	3500	143T	3.8	34.8	B	1.6	2.25	300	320	86.5	88.0	80.0	88.0	83.0	76.0
	1735	145T	4.2	30	B	1.7	4.55	310	320	86.5	87.7	83.5	77.0	72.0	65.0
	1175	182T	5.4	42	A	2.2	6.71	310	320	86.5	85.9	83.0	61.0	55.0	46.0
2	3500	145T	5.0	51	A	2.0	3.00	280	320	86.5	87.5	82.5	87.0	82.0	75.0
	1720	145T	5.6	38	B	2.2	6.11	275	265	86.5	87.3	84.0	79.0	75.0	66.0
	1175	184T	7.6	62	A	3.1	8.95	280	320	88.5	87.1	84.5	57.0	51.0	45.0
3	3465	145T	7.6	80	B	3.1	4.55	280	300	85.5	87.7	82.0	88.0	84.0	79.0
	1760	182T	8	74	A	3.1	8.96	250	300	89.5	89.3	84.5	81.0	76.0	67.0
	1180	213T	10	84	A	4.0	13.4	280	320	89.5	89.4	86.5	64.0	57.0	50.0
5	3495	182T	11.6	92	B	4.7	7.5	225	300	89.5	90.8	87.5	91.0	87.0	82.0
	1750	184T	12.6	132	A	5.0	15.0	260	290	89.5	89.7	87.0	84.0	78.0	70.0
	1175	215T	14.4	108	A	5.8	22.4	250	280	90.2	90.8	88.5	73.0	69.0	62.0
7.5	3490	184T	17.4	132	A	7.0	11.3	225	265	89.5	90.7	86.5	91.0	88.0	82.0
	1770	213T	20.0	158	A	8.0	22.3	280	310	91.0	91.4	88.5	77.5	73.0	67.0
10	1180	254T	21	136	A	8.4	33.4	260	290	91.7	92.2	90.5	73.5	70.0	65.0
	3515	213T	24.8	206	A	10.0	15.0	210	250	90.2	90.7	88.5	83.5	78.0	73.0
	1765	215T	25.4	202	A	10.2	29.8	280	275	91.7	92.1	88.5	80.5	76.0	68.0
15	1180	256T	28.4	198	A	11.5	44.6	260	280	91.7	91.5	88.0	72.0	67.0	62.0
	3510	215T	36.4	284	A	14.6	22.5	225	260	90.2	90.6	89.5	85.5	82.0	77.0
	1770	254T	37.2	220	A	15.0	44.6	240	255	93.0	93.3	91.5	81.0	77.0	68.0
20	1180	284T	38.4	276	A	15.5	66.8	225	265	92.4	93	90.0	79.0	76.0	69.0
	3540	254T	46	366	A	18.5	29.7	245	260	91.7	91.9	89.0	90.0	86.0	82.5
	1770	256T	49	298	A	20.0	59.4	240	250	93.0	93.9	91.0	83.0	78.5	72.0
25	1180	286T	52	296	B	21.0	89.1	235	260	92.4	92.0	90.5	79.0	74.0	68.0
	3540	256T	58	480	A	23.2	37.1	260	280	91.7	92.7	89.0	90.5	88.0	84.0
	1775	284T	62	442	A	25.0	74.0	235	240	93.6	93.7	91.0	81.0	76.0	70.0
30	1185	324T	64	400	A	26.0	111	235	260	93.0	93.6	91.5	79.0	75.0	71.0
	3540	284TS	70	424	A	28.0	44.6	200	240	92.4	92.5	91.0	88.0	85.0	81.5
	1775	286T	74	436	A	30.0	88.9	230	235	94.1	94.4	92.5	81.0	79.0	73.0
40	1185	326T	78	540	A	31.5	133	240	235	93.6	93.5	92.5	78.0	74.0	69.0
	3545	286TS	94	666	A	38.0	59.3	230	270	93.0	92.7	91.0	86.0	83.0	79.0
	1780	324T	98	690	A	39.0	118	200	240	94.1	94.3	92.5	82.5	79.0	75.0
50	1180	364T	100	610	A	40.0	178	200	245	94.1	94.6	92.5	81.0	77.0	72.0

Note: 1.The above are typical values based on test per IEEE-112 method B.  
 2.For current at 460 volts, divide above values by 2  
 ALL DATA SUBJECT TO CHANGE WITHOUT NOTICE.

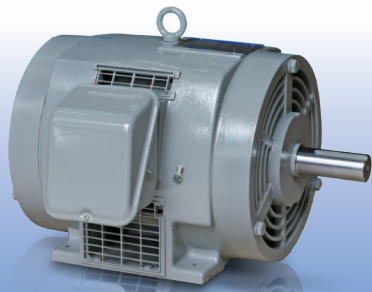
**575 volts amps, multiply 460 amps by 0.80**

# PERFORMANCE DATA

**SUPER-MAX NEMA PREMIUM® EFFICIENCY**  
 Open Drip Proof Squirrel Cage, NEMA Design A or B  
 3-Phase, 60Hz, 230 / 460,575V  
 1.15 S.F., F Insulation, 40 Deg.C Ambient

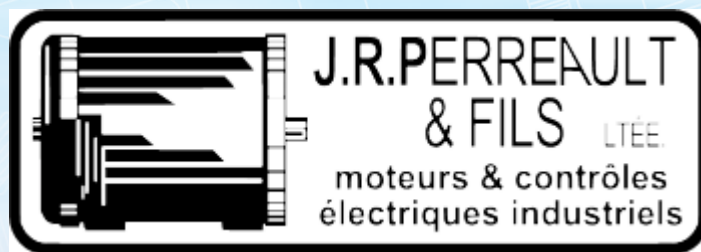
HP	Full Load RPM	NEMA Frame	Current at 230V		NEMA design classes	575V Full Load (A)	Torque			Efficiency			Power Factor		
			Full Load (A)	Locked Rotor (A)			Full Load (LB-FT)	Locked Rotor (%)	Break Down (%)	Full Load (%)	3/4 Load (%)	1/2 Load (%)	Full Load (%)	3/4 Load (%)	1/2 Load (%)
50	3560	324TS	116	920	A	47.0	74	210	260	93.6	94.1	93.0	86.5	83.0	80.0
	1780	326T	122	880	A	48.0	148	210	250	94.5	94.8	91.0	82.5	79.0	76.0
	1180	365T	124	810	A	50.0	223	210	235	94.1	94.8	92.0	81.0	78.0	74.0
60	3560	326TS	136	1140	A	55.0	89	230	270	94.1	94.5	92.0	88.0	85.0	80.0
	1780	364T	146	1130	A	60.0	177	220	260	95.0	95.0	93.0	81.0	77.0	72.0
	1185	404T	152	870	B	61.0	266	220	230	94.5	94.7	92.5	78.5	76.0	72.0
75	3565	364TS	180	1304	A	72.0	111	170	250	93.6	93.6	92.0	85.0	82.0	78.0
	1780	365T	182	1320	A	73.0	222	220	250	95.4	95.5	93.0	81.0	76.5	71.0
	1185	405T	186	1230	A	75.0	333	230	245	95.0	95.2	93.5	80.0	76.0	70.0
100	3565	365TS	226	1704	A	91	147	170	260	94.5	95.0	93.5	88.0	84.0	79.0
	1780	404T	232	1260	B	93	295	165	220	95.4	95.8	93.5	84.5	81.0	78.0
	1185	444T	242	1470	B	97	444	175	225	95.4	95.8	93.5	81.0	78.0	73.0
125	3560	404TS	284	1724	B	114	185	135	240	94.5	94.9	92.5	87.0	84.0	80.0
	1780	405T	284	1920	A	114	369	190	240	95.8	95.8	94.0	86.0	83.0	78.0
	1185	445T	302	1770	B	121	555	170	205	95.4	95.8	93.5	81.0	78.0	73.5
150	3560	405TS	338	2220	A	136	222	140	240	95.0	95.2	92.5	87.5	84.0	80.0
	1785	444T	340	2540	A	136	442	190	240	95.8	95.9	94.0	86.0	84.0	79.0
	1185	447T	358	2220	A	144	666	170	210	95.8	96.1	94.0	82.0	78.0	73.0
200	3570	444TS	220	1770	A	176	295	140	245	95.8	96.2	94.0	89.0	85.0	81.0
	1785	445T	225	1520	A	180	589	175	230	95.8	96.3	94.3	87.0	83.0	79.0
	1185	449T	238	1550	A	191	887	170	210	95.8	96.2	94.0	82.0	78.0	74.0
250	3570	445TS	273	2085	A	220	367	135	240	96.2	96.5	94.5	89.0	86.0	82.0
	1785	447T	278	1872	A	223	735	150	240	95.8	96.3	94.5	88.0	86.0	82.0
	1185	449T	298	1930	A	238	1106	170	210	95.8	95.8	94.0	82.0	78.0	74.0
300	3570	447TS	329	2620	A	264	441	135	230	95.8	96.1	94.0	89.0	86.0	82.0
	1785	449T	330	2200	B	264	881	145	220	96.2	96.3	94.5	88.5	85.0	81.0
	1185	505T	349	2300	A	279	1328	120	180	95.8	95.4	94.0	84.0	81.0	77.0
350	3570	449TS	384	3080	A	307	515	135	230	95.8	96.2	94.0	89.0	86.0	82.0
	1785	449T	385	2550	B	308	1028	140	200	96.2	96.0	94.5	88.5	85.0	81.0
	1185	5007N	407	2600	A	326	1549	120	180	95.8	95.4	94.0	84.0	81.0	77.0
400	3570	449TS	437	3450	A	350	588	120	200	96.2	96.0	95.0	89.0	86.0	82.0
	1785	449T	440	2900	B	352	1175	120	200	96.2	96.0	94.5	88.5	85.0	81.0
	1185	5007N	463	2850	B	370	1770	120	180	95.8	95.8	94.5	84.5	81.5	77.5
450	3570	449TS	492	3700	A	394	661	120	200	96.2	96.0	95.0	89.0	86.0	82.0
	1785	505T	492	3250	B	394	1322	120	200	96.2	96.0	95.0	89.0	86.0	82.0
	1185	5807N	518	3600	A	415	1992	120	180	96.2	95.8	94.5	84.5	81.5	78.0
500	3570	5007NS	541	4200	A	433	735	100	200	96.2	96.0	95.0	90.0	87.0	84.0
	1785	505T	547	3625	B	437	1469	120	200	96.2	96.0	95.0	89.0	86.0	82.0
	1185	5807N	576	4030	A	461	2213	120	180	96.2	95.8	94.5	84.5	81.5	78.0

Note: 1.The above are typical values based on test per IEEE-112 method B.  
 2.For current at 460 volts, divide above values by 2  
 3.Only 460V is applied for 200HP and larger  
 ALL DATA SUBJECT TO CHANGE WITHOUT NOTICE.



## ***OPTIONAL FEATURES***

- Cast Iron conduit box
- 575 Volt & other special voltage
- Specially designed shaft
- NEMA C & D flange
- Double shaft end
- Space heater
- Thermistors or thermostats
- Epoxy paint system stands up to corrosive environments



**TELEPHONE: 1-800-463-0400**

**[www.jrperreault.com](http://www.jrperreault.com)**