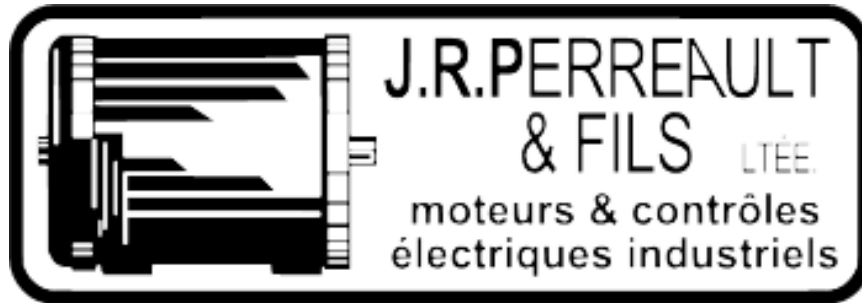


D.C. MOTORS



TELEPHONE: 1-800-463-0400
www.jrperreault.com

PERMANENT MAGNET



D.C. PERMANENT MAGNET MOTORS

MOTEURS FERMÉS AUTO-VENTILÉS PROTECTION IP55
 ISOLATION DE CLASSE F (155°C)
 VITESSE ET COUPLE CONSTANT PLAGE DE 20:1
 UTILISATION AVEC CONTROLES S.C.R. (THYRISTORS)
 ROULEMENTS SCELLÉS
 AIMANTS PERMANENTS DE HAUTE QUALITÉ (FERRITE)
 BASE AMOVIBLE ET NEMA C FACE INCLUSE
 BORNIER DE RACCORD SUR MOTEUR 12 ET 24 VOLTS

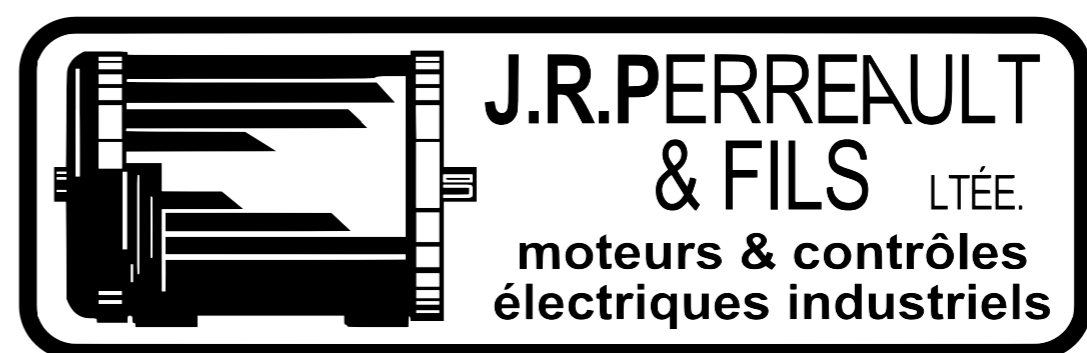
TEFC MOTORS WITH IP55 PROTECTION LEVEL
 INSULATION CLASSE F (155°C)
 SPEED AND CONTANT TORQUE 20:1 SPEED RATIO
 S.C.R. RATED MOTOR (THYRISTORS)
 SEALED BEARINGS
 HIGH QUALITY FERRITE PERMANENT MAGNETS
 REMOVABLE BASE AND C FACE INCLUDED
 STUD CONNECTED ON MOTORS 12 AND 24 VOLTS

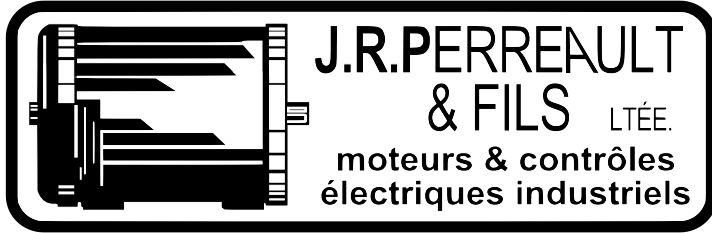


TYPE	MODEL	VOLT CODE	HP	RPM	FRAME	ENCL	LISTE
DCPM-	56C-0.25-	90	1/4	1750	56C	TEFC	280.00 \$
DCPM-	56C-0.25-	180	1/4	1750	56C	TEFC	280.00 \$
DCPM-	56CA-0.25-	90	1/4	2500	56C	TEFC	380.00 \$
DCPM-	56CA-0.25-	180	1/4	2500	56C	TEFC	380.00 \$
DCPM-	56C-0.33-	90	1/3	1750	56C	TEFC	290.00 \$
DCPM-	56C-0.33-	180	1/3	1750	56C	TEFC	290.00 \$
DCPM-	56CA-0.33-	90	1/3	2500	56C	TEFC	392.00 \$
DCPM-	56CA-0.33-	180	1/3	2500	56C	TEFC	392.00 \$
DCPM-	56C-0.50-	90	1/2	1750	56C	TEFC	358.00 \$
DCPM-	56C-0.50-	180	1/2	1750	56C	TEFC	358.00 \$
DCPM-	56CA-0.50-	90	1/2	2500	56C	TEFC	484.00 \$
DCPM-	56CA-0.50-	180	1/2	2500	56C	TEFC	484.00 \$
DCPM-	56C-0.75-	90	3/4	1750	56C	TEFC	402.00 \$
DCPM-	56C-0.75-	180	3/4	1750	56C	TEFC	402.00 \$
DCPM-	56CA-0.75-	90	3/4	2500	56C	TEFC	544.00 \$
DCPM-	56CA-0.75-	180	3/4	2500	56C	TEFC	544.00 \$
DCPM-	56C-1.0-	90	1	1750	56C	TEFC	436.00 \$
DCPM-	56C-1.0-	180	1	1750	56C	TEFC	436.00 \$
DCPM-	56CA-1.0-	90	1	2500	56C	TEFC	590.00 \$
DCPM-	56CA-1.0-	180	1	2500	56C	TEFC	590.00 \$
DCPM-	56C-1.5-	180	1.5	1750	56C	TEFC	698.00 \$
DCPM-	145TC-1.5	180	1.5	1750	145TC	TEFC	698.00 \$
DCPM-	56C-2.0-	180	2	1750	56C	TEFC	780.00 \$
DCPM-	145TC-2.0	180	2	1750	145TC	TEFC	780.00 \$
DCPM-	145TC-3.0	180	3	1750	145TC	TEFC	920.00 \$

TYPE	MODEL	VOLT CODE	HP	RPM	FRAME	ENCL	LISTE
DCPM-	56C-0.25-	12	1/4	1750	56C	TEFC	654.00 \$
DCPM-	56C-0.25-	24	1/4	1750	56C	TEFC	654.00 \$
DCPM-	56C-0.33-	12	1/3	1750	56C	TEFC	734.00 \$
DCPM-	56C-0.33-	24	1/3	1750	56C	TEFC	734.00 \$
DCPM-	56C-0.50-	12	1/2	1750	56C	TEFC	862.00 \$
DCPM-	56C-0.50-	24	1/2	1750	56C	TEFC	862.00 \$
DCPM-	56C-0.75-	12	3/4	1750	56C	TEFC	966.00 \$
DCPM-	56C-0.75-	24	3/4	1750	56C	TEFC	966.00 \$
DCPM-	56C-1.0-	12	1	1750	56C	TEFC	1 050.00 \$
DCPM-	56C-1.0-	24	1	1750	56C	TEFC	1 050.00 \$

CODE	DCPM
DISC:	





D.C. STAINLESS P.M. MOTORS

MOTEUR COMPLETEMENT ACIER INOXYDABLE
MOTEURS FERMÉS AUTO-VENTILÉS PROTECTION IP55
ISOLATION DE CLASSE F (155°C)
VITESSE ET COUPLE CONSTANT PLAGE DE 20:1
UTILISATION AVEC CONTROLES S.C.R. (THYRISTORS)
ROULEMENTS SCELLÉS
AIMANTS PERMANENTS DE HAUTE QUALITÉ (FERRITE)
BASE AMOVIBLE AVEC BRIDE C

FULL STAINLESS STEEL MOTOR
TEFC MOTORS WITH IP55 PROTECTION LEVEL
INSULATION CLASSE F (155°C)
SPEED AND CONTANT TORQUE 20:1 SPEED RATIO
S.C.R. RATED MOTOR (THYRISTORS)
SEALED BEARINGS
HIGH QUALITY FERRITE PERMANENT MAGNETS
DETACHABLE BASE WITH NEMA C FACE



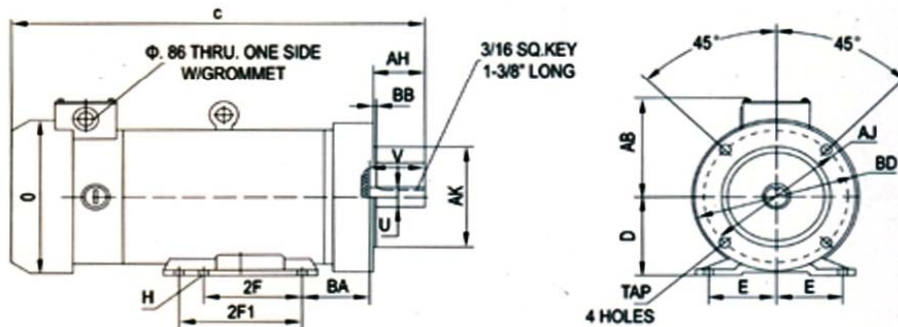
TYPE	MODEL	VOLT CODE	HP	RPM	FRAME	ENCL	LISTE
SSDCPM-	56C-0.25-	90	1/4	1750	56C	TEFC	956.00 \$
SSDCPM-	56C-0.25-	180	1/4	1750	56C	TEFC	956.00 \$
SSDCPM-	56C-0.33-	90	1/3	1750	56C	TEFC	992.00 \$
SSDCPM-	56C-0.33-	180	1/3	1750	56C	TEFC	992.00 \$
SSDCPM-	56C-0.50-	90	1/2	1750	56C	TEFC	1 050.00 \$
SSDCPM-	56C-0.50-	180	1/2	1750	56C	TEFC	1 050.00 \$
SSDCPM-	56C-0.75-	90	3/4	1750	56C	TEFC	1 158.00 \$
SSDCPM-	56C-0.75-	180	3/4	1750	56C	TEFC	1 158.00 \$
SSDCPM-	56C-1.0-	90	1	1750	56C	TEFC	1 230.00 \$
SSDCPM-	56C-1.0-	180	1	1750	56C	TEFC	1 230.00 \$

CODE	SSDCPM
DISC:	



90 OR 180 VOLTS DC

CATALOGUE	HP	RPM	ARMATURE VOLT	FRAME	ENCL.	CURRENT AMP	TORQUE LB-IN	WEIGHT LBS
DCPM-56C-0.25-90	1/4	1750	90	56C	TEFC	2.5	9	21
DCPM-56C-0.25-180	1/4	1750	180	56C	TEFC	1.3	9	21
DCPM-56C-0.33-90	1/3	1750	90	56C	TEFC	3.5	12	23
DCPM-56C-0.33-180	1/3	1750	180	56C	TEFC	1.7	12	23
DCPM-56C-0.50-90	1/2	1750	90	56C	TEFC	5.0	18	25
DCPM-56C-0.50-180	1/2	1750	180	56C	TEFC	2.5	18	25
DCPM-56C-0.75-90	3/4	1750	90	56C	TEFC	7.6	25	30
DCPM-56C-0.75-180	3/4	1750	180	56C	TEFC	3.8	25	30
DCPM-56C-1.0-90	1	1750	90	56C	TEFC	10.0	36	33
DCPM-56C-1.0-180	1	1750	180	56C	TEFC	5.0	36	33
DCPM-56C-1.5-180	1½	1750	180	56C	TEFC	8.0	54	60
DCPM-56C-2.0-180	2	1750	180	56C	TEFC	9.5	72	68
DCPM-145TC-1.5-180	1½	1750	180	145TC	TEFC	8.0	54	60
DCPM-145TC-2.0-180	2	1750	180	145TC	TEFC	9.5	72	68
DCPM-145TC-3.0-180	3	1750	180	145TC	TEFC	14.0	108	80

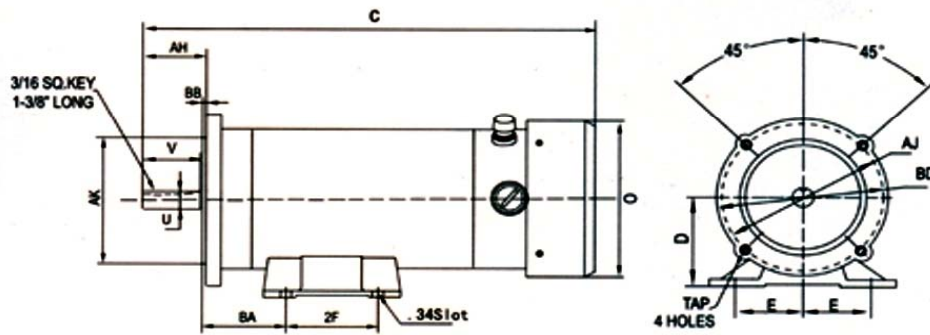


CATALOGUE	D	E	2F / 2F1	H	O	U	V	AB	AH	AJ	AK	BA	BB	BD	TAP	C
DCPM-56C-0.25-90	3.5	2.44	3 / -	0.34 SLOT	5.63	0.625	1.88	4.13	2.06	5.875	4.5	2.75	0.12	6.5	3/8-16	11.6
DCPM-56C-0.25-180	3.5	2.44	3 / -	0.34 SLOT	5.63	0.625	1.88	4.13	2.06	5.875	4.5	2.75	0.12	6.5	3/8-16	11.6
DCPM-56C-0.33-90	3.5	2.44	3 / -	0.34 SLOT	5.63	0.625	1.88	4.13	2.06	5.875	4.5	2.75	0.12	6.5	3/8-16	11.6
DCPM-56C-0.33-180	3.5	2.44	3 / -	0.34 SLOT	5.63	0.625	1.88	4.13	2.06	5.875	4.5	2.75	0.12	6.5	3/8-16	11.6
DCPM-56C-0.50-90	3.5	2.44	3 / -	0.34 SLOT	5.63	0.625	1.88	4.13	2.06	5.875	4.5	2.75	0.12	6.5	3/8-16	12.4
DCPM-56C-0.50-180	3.5	2.44	3 / -	0.34 SLOT	5.63	0.625	1.88	4.13	2.06	5.875	4.5	2.75	0.12	6.5	3/8-16	12.4
DCPM-56C-0.75-90	3.5	2.44	3 / -	0.34 SLOT	5.63	0.625	1.88	4.13	2.06	5.875	4.5	2.75	0.12	6.5	3/8-16	14.0
DCPM-56C-0.75-180	3.5	2.44	3 / -	0.34 SLOT	5.63	0.625	1.88	4.13	2.06	5.875	4.5	2.75	0.12	6.5	3/8-16	14.0
DCPM-56C-1.0-90	3.5	2.44	3 / -	0.34 SLOT	5.63	0.625	1.88	4.13	2.06	5.875	4.5	2.75	0.12	6.5	3/8-16	14.8
DCPM-56C-1.0-180	3.5	2.44	3 / -	0.34 SLOT	5.63	0.625	1.88	4.13	2.06	5.875	4.5	2.75	0.12	6.5	3/8-16	14.4
DCPM-56C-1.5-180	3.5	2.44	3 / -	0.34 SLOT	5.63	0.625	1.88	4.13	2.06	5.875	4.5	2.75	0.12	6.65	3/8-16	16.1
DCPM-56C-2.0-180	3.5	2.44	3 / -	0.34 SLOT	5.63	0.625	1.88	4.13	2.06	5.875	4.5	2.75	0.12	6.65	3/8-16	18.4
DCPM-145TC-1.5-180	3.5	2.75	4 / 5	0.34 SLOT	6.87	0.875	2.25	4.5	2.12	5.875	4.5	2.75	0.12	6.65	3/8-16	14.8
DCPM-145TC-2.0-180	3.5	2.75	4 / 5	0.34 SLOT	6.87	0.875	2.25	4.5	2.12	5.875	4.5	2.75	0.12	6.65	3/8-16	16.5
DCPM-145TC-3.0-180	3.5	2.75	4 / 5	0.34 SLOT	6.87	0.875	2.25	4.5	2.12	5.875	4.5	2.75	0.12	6.65	3/8-16	18.7



12 OR 24 VOLTS DC

CATALOGUE	HP	RPM	ARMATURE VOLT	FRAME	ENCL.	CURRENT AMP	TORQUE LB-IN	WEIGHT LBS
DCPM-56C-0.25-12	1/4	1750	12	56C	TEFC	21.0	9	21
DCPM-56C-0.25-24	1/4	1750	24	56C	TEFC	10.5	9	21
DCPM-56C-0.33-12	1/3	1750	12	56C	TEFC	27.0	12	23
DCPM-56C-0.33-24	1/3	1750	24	56C	TEFC	13.5	12	23
DCPM-56C-0.50-12	1/2	1750	12	56C	TEFC	39.0	18	25
DCPM-56C-0.50-24	1/2	1750	24	56C	TEFC	20.0	18	25
DCPM-56C-0.75-12	3/4	1750	12	56C	TEFC	63.5	27	30
DCPM-56C-0.75-24	3/4	1750	24	56C	TEFC	31.8	27	30
DCPM-56C-1.0-12	1	1750	12	56C	TEFC	80.0	36	32
DCPM-56C-1.0-24	1	1750	24	56C	TEFC	40.0	36	32



CATALOGUE	D	E	2F	H	O	U	V	AB	AH	AJ	AK	BA	BB	BD	TAP	C
DCPM-56C-0.25-12	3.5	2.44	3	0.34 SLOT	5.63	0.625	1.88	4.13	2.06	5.875	4.5	2.75	0.12	6.5	3/8-16	11.6
DCPM-56C-0.25-24	3.5	2.44	3	0.34 SLOT	5.63	0.625	1.88	4.13	2.06	5.875	4.5	2.75	0.12	6.5	3/8-16	11.6
DCPM-56C-0.33-12	3.5	2.44	3	0.34 SLOT	5.63	0.625	1.88	4.13	2.06	5.875	4.5	2.75	0.12	6.5	3/8-16	11.6
DCPM-56C-0.33-24	3.5	2.44	3	0.34 SLOT	5.63	0.625	1.88	4.13	2.06	5.875	4.5	2.75	0.12	6.5	3/8-16	11.6
DCPM-56C-0.50-12	3.5	2.44	3	0.34 SLOT	5.63	0.625	1.88	4.13	2.06	5.875	4.5	2.75	0.12	6.5	3/8-16	12.4
DCPM-56C-0.50-24	3.5	2.44	3	0.34 SLOT	5.63	0.625	1.88	4.13	2.06	5.875	4.5	2.75	0.12	6.5	3/8-16	12.4
DCPM-56C-0.75-12	3.5	2.44	3	0.34 SLOT	5.63	0.625	1.88	4.13	2.06	5.875	4.5	2.75	0.12	6.5	3/8-16	14.0
DCPM-56C-0.75-24	3.5	2.44	3	0.34 SLOT	5.63	0.625	1.88	4.13	2.06	5.875	4.5	2.75	0.12	6.5	3/8-16	14.0
DCPM-56C-1.0-12	3.5	2.44	3	0.34 SLOT	5.63	0.625	1.88	4.13	2.06	5.875	4.5	2.75	0.12	6.5	3/8-16	14.8
DCPM-56C-1.0-24	3.5	2.44	3	0.34 SLOT	5.63	0.625	1.88	4.13	2.06	5.875	4.5	2.75	0.12	6.5	3/8-16	14.8

