

EXPLOSION PROOF MOTORS



- 1 – 300 Horse Power
- 3600, 1800 and 1200 RPM
- UL Listed and CSA Certified
Class I, Division I Groups C & D
and Class II Division I, Groups E, F and G



Operating Temperature
Code T3C

Dual Rated Nameplate
60Hz @ 1.15 SF
50Hz @ 1.0 SF

NEMA Premium®
Efficient

NEMA Design B

Heavy Duty
FC 200 Cast Iron
Construction

Heavy Gauge Steel
Fan Cover – Cast
Iron Fan Cover
Available as Option



Greasable
Bearings Used on
Both Drive End
and Opposite
Drive End from
254T to 449T

Shaft is made of
1045 Carbon Steel

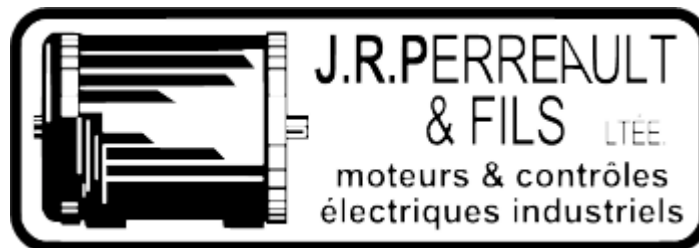
Oversized
Conduit Box

Class F Insulation
System with Class H
VPI Epoxy Resin
Protection

Totally Enclosed Explosion Proof
(TEXP) Protection

Double Punched
Foot Design

PTC Thermistor as
Standard



TELEPHONE: 1-800-463-0400

www.jrperreault.com

JRP EXPLOSION PROOF, PREMIUM

MOTEURS EFFICACITÉ 'NEMA PREMIUM' (EEV) CERTIFIÉ CSA (USA)
 BATI EN FONTE SERVICE FACTOR 1.15
 ISOLATION DE CLASSE F (155°C)
 ELEVATION DE TEMPERATURE DE CLASSE B (90°C)
 MOTEURS COMPLETEMENT FERMÉS AUTO-VENTILÉS IP55
 INVERTER DUTY: 5:1 CONSTANT ET 10:1 VARIABLE, NEMA MG-1, PART 31
 PROCÉDÉ DE VERNISSAGE V.P.I.
 ROULEMENTS ET BOITE DE RACCORD SUR-DIMENSIONNÉS
 CERTIFIÉ UL POUR ENDROITS DANGEREUX
 CLASSE 1, DIVISION 1, GROUPE C ET D
 CLASSE 2, DIVISION 1. GROUPE E,F ET G
 CODE DE TEMPÉRATURE T3C

NEMA PREMIUM EFFICIENT MOTORS (EEV) CSA CERTIFIED (USA)
 CAST IRON FRAME WITH SERVICE FACTOR 1.15
 INSULATION CLASS F (155°C)
 CLASS B TEMPERATURE RISE (90°C)
 TOTALLY ENCLOSED FAN COOLED MOTORS IP 55
 INVERTER DUTY: 5:1 CONSTANT AND 10:1 VARIABLE, NEMA MG-1, PART 31
 V.P.I. PROCESS APPLIED
 OVERSIZED BEARINGS AND TERMINAL BOX
 U.L. CERTIFIED FOR EXPLOSIVE ENVIRONMENTS
 CLASSE 1, DIVISION 1, GROUP C ET D
 CLASSE 2, DIVISION 1. GROUP E,F ET G
 T3C TEMPERATURE CODE



TYPE	MODEL	VOLT CODE	HP	RPM	FRAME	ENCL	LISTE
XPP-	143T4-	XXX	1	1800	143T	TEFC	1 003.00 \$
XPP-	145T6-	XXX	1	1200	145T	TEFC	1 099.00 \$
XPP-	143T2-	XXX	1.5	3600	143T	TEFC	1 017.00 \$
XPP-	145T4A-	XXX	1.5	1800	145T	TEFC	1 099.00 \$
XPP-	182T6-	XXX	1.5	1200	182T	TEFC	1 257.00 \$
XPP-	145T2-	XXX	2	3600	145T	TEFC	1 147.00 \$
XPP-	145T4B-	XXX	2	1800	145T	TEFC	1 258.00 \$
XPP-	184T6-	XXX	2	1200	184T	TEFC	1 584.00 \$
XPP-	182T2-	XXX	3	3600	182T	TEFC	1 454.00 \$
XPP-	182T4-	XXX	3	1800	182T	TEFC	1 526.00 \$
XPP-	213T6-	XXX	3	1200	213T	TEFC	1 862.00 \$
XPP-	184T2-	XXX	5	3600	184T	TEFC	1 800.00 \$
XPP-	184T4-	XXX	5	1800	184T	TEFC	1 800.00 \$
XPP-	215T6-	XXX	5	1200	215T	TEFC	2 481.00 \$
XPP-	213T2-	XXX	7.5	3600	213T	TEFC	2 126.00 \$
XPP-	213T4-	XXX	7.5	1800	213T	TEFC	2 362.00 \$
XPP-	254T6-	XXX	7.5	1200	254T	TEFC	2 808.00 \$
XPP-	215T2-	XXX	10	3600	215T	TEFC	2 476.00 \$
XPP-	215T4-	XXX	10	1800	215T	TEFC	2 549.00 \$
XPP-	256T6-	XXX	10	1200	256T	TEFC	3 475.00 \$
XPP-	254T2-	XXX	15	3600	254T	TEFC	3 451.00 \$
XPP-	254T4-	XXX	15	1800	254T	TEFC	3 451.00 \$
XPP-	284T6-	XXX	15	1200	284T	TEFC	4 526.00 \$
XPP-	256T2-	XXX	20	3600	256T	TEFC	3 796.00 \$
XPP-	256T4-	XXX	20	1800	256T	TEFC	3 955.00 \$
XPP-	286T6-	XXX	20	1200	286T	TEFC	5 491.00 \$
XPP-	284TS2-	XXX	25	3600	284TS	TEFC	4 636.00 \$
XPP-	284T4-	XXX	25	1800	284T	TEFC	4 708.00 \$
XPP-	324T6-	XXX	25	1200	324T	TEFC	6 590.00 \$

VOLT CODE:
 2X4= 230/460 VOLTS
 575= 575 VOLTS

TC	140TC	256.00 \$
TC	180TC	396.00 \$
TC	210TC	475.00 \$
TC	250TC	535.00 \$
TC	280TC	648.00 \$
TC	320TC	945.00 \$
TC	360TC	995.00 \$
TC	400TC	1 085.00 \$
TC	440TC	1 154.00 \$

TYPE	MODEL	VOLT CODE	HP	RPM	FRAME	ENCL	LISTE
XPP-	286TS2-	XXX	30	3600	286TS	TEFC	5 534.00 \$
XPP-	286T4-	XXX	30	1800	286T	TEFC	5 337.00 \$
XPP-	326T6-	XXX	30	1200	326T	TEFC	8 097.00 \$
XPP-	324TS2-	XXX	40	3600	324TS	TEFC	6 753.00 \$
XPP-	324T4-	XXX	40	1800	324T	TEFC	6 897.00 \$
XPP-	364T6-	XXX	40	1200	364T	TEFC	10 137.00 \$
XPP-	326TS2-	XXX	50	3600	326TS	TEFC	8 966.00 \$
XPP-	326T4-	XXX	50	1800	326T	TEFC	8 352.00 \$
XPP-	365T6-	XXX	50	1200	365T	TEFC	11 294.00 \$
XPP-	364TS2-	XXX	60	3600	364TS	TEFC	10 560.00 \$
XPP-	364T4-	XXX	60	1800	364T	TEFC	10 670.00 \$
XPP-	404T6-	XXX	60	1200	404T	TEFC	14 030.00 \$
XPP-	365TS2-	XXX	75	3600	365TS	TEFC	13 665.00 \$
XPP-	365T4-	XXX	75	1800	365T	TEFC	12 513.00 \$
XPP-	405T6-	XXX	75	1200	405T	TEFC	16 032.00 \$
XPP-	405TS2-	XXX	100	3600	405TS	TEFC	16 032.00 \$
XPP-	405T4-	XXX	100	1800	405T	TEFC	16 123.00 \$
XPP-	444T6-	XXX	100	1200	444T	TEFC	22 848.00 \$
XPP-	444TS2-	XXX	125	3600	444TS	TEFC	20 428.00 \$
XPP-	444T4-	XXX	125	1800	444T	TEFC	20 587.00 \$
XPP-	445T6-	XXX	125	1200	445T	TEFC	28 632.00 \$
XPP-	445TS2-	XXX	150	3600	445TS	TEFC	28 550.00 \$
XPP-	445T4-	XXX	150	1800	445T	TEFC	30 484.00 \$
XPP-	447T6-	XXX	150	1200	447T	TEFC	35 985.00 \$
XPP-	447TS2-	XXX	200	3600	447TS	TEFC	36 004.00 \$
XPP-	447T4-	XXX	200	1800	447T	TEFC	36 004.00 \$
XPP-	449T6-	XXX	200	1200	449T	TEFC	53 764.00 \$
XPP-	447TS2A-	XXX	250	3600	449TS	TEFC	49 766.00 \$
XPP-	447T4A-	XXX	250	1800	449T	TEFC	49 766.00 \$
XPP-	447TS2A-	XXX	300	3600	449TS	TEFC	
XPP-	447T4A-	XXX	300	1800	449T	TEFC	

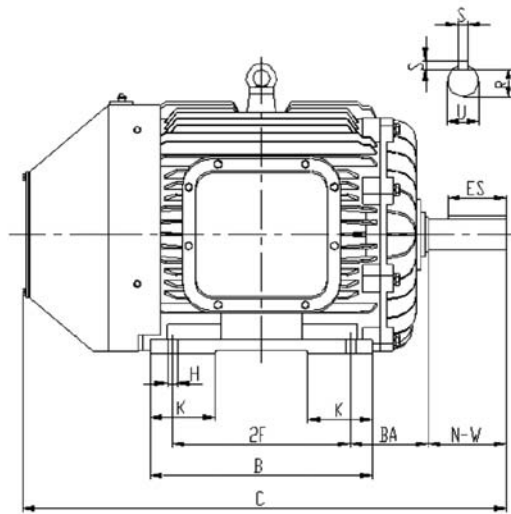
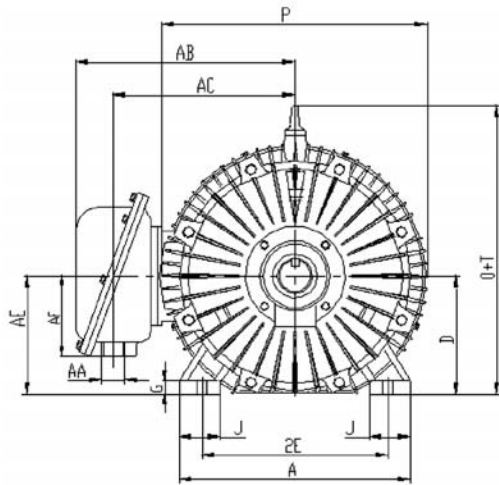
CODE:	XPP
DISC.:	

EXPLOSION PROOF MOTOR PERFORMANCE DATA

HP	Full Load RPM	Frame	Full Load Service Factor	DE Bearing	ODE Bearing	Full Load Amps @ 460V	Locked Rotor Amps	Full Load Torque Ft-Lb	Locked Rotor Torque (%)	Break Down Torque (%)	Full Load Efficiency Nom. (%)	Full Load Efficiency Min. (%)	Full Load Power Factor (%)	Net Weight (Lbs.)
1	1773	143T	1.15	6205-ZZ	6205-ZZ	1.4	15.0	3.0	275	300	85.5	82.5	78.5	62
1	1175	145T	1.15	6205-ZZ	6205-ZZ	1.7	15.0	4.5	170	265	82.5	80.0	66.0	79
1.5	3511	145T	1.15	6205-ZZ	6205-ZZ	1.9	20.0	2.3	175	250	84.0	81.5	84.5	73
1.5	1769	145T	1.15	6205-ZZ	6205-ZZ	2.0	20.0	4.5	250	280	86.5	84.0	79.0	75
1.5	1183	182T	1.15	6206-ZZ	6206-ZZ	2.1	20.0	6.7	165	250	87.5	85.5	71.0	115
2	3504	145T	1.15	6205-ZZ	6205-ZZ	2.5	25.0	3.0	170	240	85.5	82.5	86.0	82
2	1765	145T	1.15	6205-ZZ	6205-ZZ	2.6	25.0	6.0	235	270	86.5	84.0	80.0	88
2	1183	184T	1.15	6206-ZZ	6206-ZZ	2.8	25.0	8.9	160	240	88.5	86.5	73.0	130
3	3528	182T	1.15	6206-ZZ	6206-ZZ	3.5	32.0	4.5	160	230	86.5	84.0	87.0	126
3	1773	182T	1.15	6206-ZZ	6206-ZZ	3.8	32.0	8.9	215	250	89.5	87.5	77.0	130
3	1182	213T	1.15	6208-ZZ	6208-ZZ	4.0	32.0	13.4	155	230	89.5	87.5	71.0	238
5	3543	184T	1.15	6206-ZZ	6206-ZZ	6.0	46.0	7.5	150	215	88.5	86.5	85.0	134
5	1767	184T	1.15	6206-ZZ	6206-ZZ	7.0	46.0	14.9	185	225	89.5	87.5	81.0	183
5	1178	215T	1.15	6208-ZZ	6208-ZZ	7.5	46.0	22.4	150	215	89.5	87.5	75.0	295
7.5	3539	213T	1.15	6208-ZZ	6208-ZZ	8.3	63.5	11.2	140	200	89.5	87.5	86.0	243
7.5	1773	213T	1.15	6208-ZZ	6208-ZZ	8.9	63.5	22.3	175	215	91.7	90.2	84.0	254
7.5	1186	254T	1.15	6309/C3	6309/C3	12.5	85.5	33.4	150	205	91.0	89.5	78.0	386
10	3540	215T	1.15	6208-ZZ	6208-ZZ	11.5	81.0	14.9	135	200	90.2	88.5	88.0	262
10	1772	215T	1.15	6208-ZZ	6208-ZZ	12.2	81.0	29.8	165	200	91.7	90.2	86.0	262
10	1186	256T	1.15	6309/C3	6309/C3	12.5	81.0	44.5	150	200	91.0	89.5	81.0	384
15	3538	254T	1.15	6209/C3	6209/C3	16.5	116.0	22.4	130	200	91.0	89.5	86.0	401
15	1778	254T	1.15	6209/C3	6209/C3	17.5	116.0	44.6	160	200	92.4	91.0	87.0	403
15	1189	284T	1.15	6310/C3	6310/C3	22.8	145.0	66.6	140	200	91.7	90.2	82.0	476
20	3531	256T	1.15	6209/C3	6209/C3	22.8	145.0	29.9	130	200	91.0	89.5	88.0	434
20	1777	256T	1.15	6309/C3	6309/C3	23.0	145.0	59.5	150	200	93.0	91.7	87.0	428
20	1179	286T	1.15	6310/C3	6310/C3	23.5	145.0	89.6	135	200	91.7	90.2	81.0	520
25	3560	284TS	1.15	6310/C3	6310/C3	27.5	182.5	37.1	130	200	91.7	90.2	88.0	547
25	1778	284T	1.15	6310/C3	6310/C3	27.5	182.5	74.3	150	200	93.6	92.4	85.0	558
25	1187	324T	1.15	6312/C3	6312/C3	29.0	182.5	111.3	135	200	93.0	91.7	83.0	657
30	3560	286TS	1.15	6310/C3	6310/C3	32.5	217.5	44.5	130	200	91.7	90.2	89.0	567
30	1777	286T	1.15	6310/C3	6310/C3	32.5	217.5	89.2	150	200	93.6	92.4	87.0	580
30	1187	326T	1.15	6312/C3	6312/C3	34.5	217.5	133.5	135	200	93.0	91.7	83.0	739
40	3571	324TS	1.15	6312/C3	6312/C3	44.5	290.0	59.2	125	200	92.4	91.0	88.0	710
40	1783	324T	1.15	6312/C3	6312/C3	44.5	290.0	118.5	140	200	94.1	93.0	85.0	728
40	1188	364T	1.15	6314/C3	6314/C3	46.0	290.0	177.9	135	200	94.1	93.0	83.0	886
50	3573	326TS	1.15	6312/C3	6312/C3	54.0	362.5	73.9	120	200	93.0	91.7	88.0	743
50	1783	326T	1.15	6312/C3	6312/C3	55.0	362.5	148.1	140	200	94.5	93.6	85.0	763
50	1188	365T	1.15	6314/C3	6314/C3	56.5	362.5	222.3	135	200	94.1	93.0	83.0	899
60	3573	364TS	1.15	6314/C3	6314/C3	65.5	435.0	88.7	120	200	93.6	92.4	88.0	860
60	1786	364T	1.15	6314/C3	6314/C3	66.5	435.0	177.5	140	200	95.0	94.1	85.0	891
60	1192	404T	1.15	6316/C3	6314/C3	69.0	435.0	265.9	135	200	94.5	93.6	83.0	1188
75	3573	365TS	1.15	6314/C3	6314/C3	84.5	542.5	110.9	105	200	93.6	92.4	88.0	946
75	1786	365T	1.15	6314/C3	6314/C3	86.5	542.5	221.8	140	200	95.4	94.5	85.0	957
75	1192	405T	1.15	6316/C3	6314/C3	84.0	542.5	332.4	135	200	94.5	93.6	83.0	1349
100	3579	405TS	1.15	6314/C3	6314/C3	108.8	725.0	147.6	105	200	94.1	93.0	89.0	1393
100	1790	405T	1.15	6316/C3	6314/C3	109.5	725.0	295.1	125	200	95.4	94.5	87.0	1400
100	1190	444T	1.15	6318/C3	6314/C3	117.0	725.0	443.9	125	200	95.0	94.1	84.0	1642
125	3586	444TS	1.15	6314/C3	6314/C3	130.0	907.5	184.1	100	200	95.0	94.1	89.0	1638
125	1789	444T	1.15	6318/C3	6314/C3	133.0	907.5	369.1	110	200	95.4	94.5	85.0	1640
125	1191	445T	1.15	6318/C3	6314/C3	135.0	907.5	554.4	120	200	95.0	94.1	84.0	1779
150	3585	445TS	1.15	6314/C3	6314/C3	160.0	1085.0	221.0	100	200	95.0	94.1	87.0	1830
150	1789	445T	1.15	6318/C3	6314/C3	162.5	1085.0	442.9	110	200	95.8	95.0	86.0	1898
150	1191	447T	1.15	NU322/C3	6316/C3	166.0	1085.0	665.3	120	200	95.8	95.0	82.0	2174
200	3584	447TS	1.15	6314/C3	6314/C3	213.5	1450.0	294.8	100	200	95.4	94.5	87.0	2299
200	1789	447T	1.15	NU319/C3	6316/C3	217.0	1450.0	590.6	100	200	96.2	95.4	85.0	2348
200	1191	449T	1.15	NU322/C3	6316/C3	227.5	1450.0	887.1	120	200	95.8	95.0	82.0	2328
250	3585	449TS	1.15	6314/C3	6314/C3	262.0	1825.0	368.4	70	175	95.8	95.0	87.0	2370
250	1788	449T	1.15	NU319/C3	6316/C3	268.0	1825.0	738.6	80	175	96.2	95.4	85.0	2381

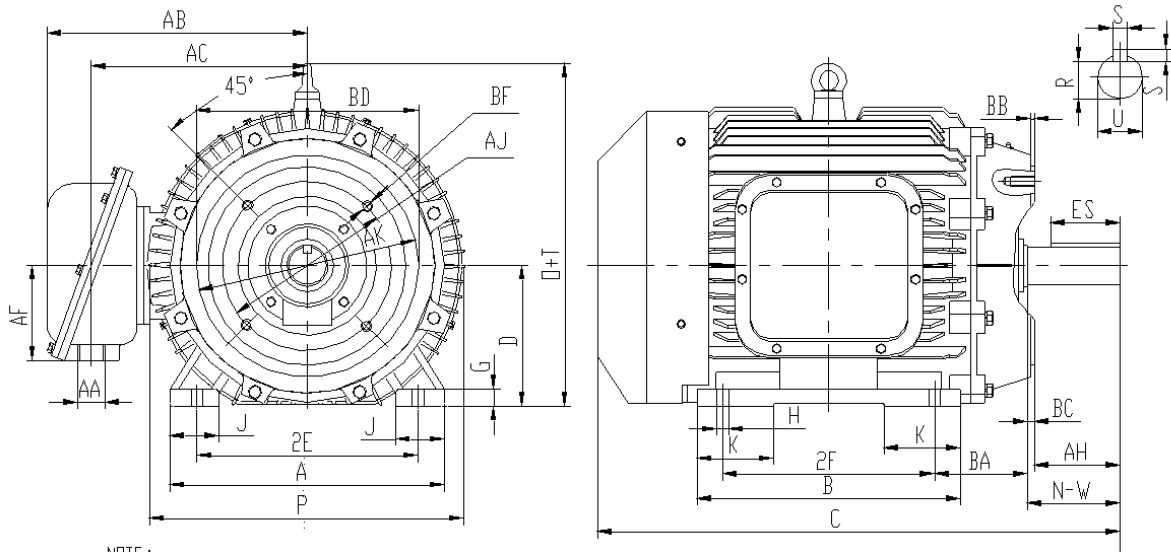
575 VOLTS AMPS = 460 VOLTS AMPS X 0.8

Premium Efficient Explosion Proof Mounting Dimensions - T-Frame



Frame Size	A Max	C	D	2E	2F	G	H	J	O	P	R	S	T	U	V Min	ES Min	AA NPT	AB	BA	N-W
143T	7.0	15.2	3.5	5.5	4.0	0.40	0.34	1.35	7.7	7.8	0.771	0.188	-	0.875	2.0	1.42	0.75	7.6	2.25	2.25
145T					5.0															
182T	9.0	18.1	4.5	7.5	4.5	0.55	0.41	1.75	9.0	10.2	0.986	0.250	1.58	1.125	2.50	1.78	0.75	8.9	2.75	2.75
184T					5.5															
213T	10.5	20.6	5.25	8.5	5.5	0.7	0.41	2.35	10.5	11.7	1.201	0.312	1.97	1.375	3.12	2.41	1.0	10.8	3.50	3.38
215T					7.0															
254T	12.5	24.8	6.25	10.0	8.25	0.8	0.53	2.75	12.8	14.1	1.416	0.375	2.35	1.625	3.75	2.91	1.25	12.0	4.25	4.0
256T					10.0															
284T	14.0	28.5	7.0	11.0	9.5	0.8	0.53	2.75	14.5	16.0	1.591	0.50	2.35	1.875	4.38	3.28	1.50	13.2	4.75	4.62
284TS		26.6			1.416						0.375	1.625		3.0	1.91	3.25				
286T		28.5			1.591						0.5	1.875		4.38	3.28	4.62				
286TS		26.6			1.416						0.375	1.625		3.0	1.91	3.25				
324T	16.0	31.8	8.0	12.5	10.5	1.11	0.66	2.75	16.0	18.1	1.845	0.50	2.50	2.125	5.0	3.91	2.0	14.8	5.25	5.25
324TS		30.3			1.591						0.50	1.875		3.50	2.03	3.75				
326T		31.8			1.845						0.50	2.125		5.0	3.91	5.25				
326TS		30.3			1.591						0.50	1.875		3.50	2.03	3.75				
364T	18.0	33.2	9.0	14.0	11.25	1.11	0.66	2.95	18.4	19.7	2.021	0.625	2.50	2.375	5.62	4.28	3.0	15.6	5.88	5.88
364TS		31.0			1.591						0.50	1.875		3.50	2.03	3.75				
365T		34.2			2.021						0.625	2.375		5.62	4.28	5.88				
365TS		32.0			1.591						0.50	1.875		3.50	2.03	3.75				
404T	20.0	37.0	10.0	16.0	12.25	1.18	0.81	3.15	20.2	21.8	2.450	0.750	2.91	2.875	7.0	5.65	3.0	18.5	6.62	7.25
404TS		34.0			1.845						0.50	2.125		4.0	2.78	4.25				
405T		38.5			2.450						0.750	2.875		7.0	5.65	7.25				
405TS		35.5			1.845						0.50	2.125		4.0	2.78	4.25				
444T	22.0	42.6	11.0	18.0	14.5	1.38	0.81	3.35	21.8	24.0	2.880	0.875	4.25	3.375	8.25	6.91	3.0	19.5	7.50	8.50
444TS		39.0			2.021						0.625	2.375		4.50	3.03	4.75				
445T		44.5			2.880						0.875	3.375		8.25	6.91	8.50				
445TS		41.0			2.021						0.625	2.375		4.50	3.03	4.75				
447T	22.0	48.3	11.0	18.0	20.0	1.38	0.81	3.35	21.8	24.0	2.880	0.875	4.25	3.375	8.25	6.91	3.0	19.5	7.50	8.50
447TS		44.5			2.021						0.625	2.375		4.50	3.03	4.75				
449T		53.3			2.880						0.875	3.375		8.25	6.91	8.50				
449TS		49.5			2.021						0.625	2.375		4.50	3.03	4.75				

Premium Efficient Explosion Proof Mounting Dimensions - C-Face Footed



NOTE:
WHERE B HOLES(BF) ARE USED,THE ADDITIONAL
FOUR HOLES ARE LOCATED ON THE HORIZONTAL AND VERTICAL CENTERLINES

Frame Size	AJ	AK	BA	BB Min	BC	BD Max	BF Hole			U	AH	Key		
							Number	Tap Size	Depth of Hole			R	ES Min	S
143TC 145TC	5.88	4.5	2.25	0.16	+0.12	6.5	4	3/8-16	0.56	0.875	2.12	0.771	1.41	0.188
182TC 184TC	7.25	8.5	2.75	0.25	+0.12	9	4	1/2-13	0.75	1.125	2.62	0.986	1.78	0.250
213TC 215TC	7.25	8.5	3.5	0.25	+0.25	9	4	1/2-13	0.75	1.375	3.12	1.201	2.41	0.312
254TC 256TC	7.25	8.5	4.25	0.25	+0.25	10	4	1/2-13	0.75	1.625	3.75	1.416	2.91	0.375
284TC 286TC	9	10.5	4.75	0.25	+0.25	11.25	4	1/2-13	0.75	1.875	4.38	1.591	3.28	0.500
284TSC 286TSC	9	10.5	4.75	0.25	0.25	11.25	4	1/2-13	0.75	1.625	3.00	1.416	1.91	0.375
324TC 326TC	11	12.5	5.25	0.25	+0.25	14	4	5/8-11	0.94	2.125	5.00	1.845	3.91	0.500
324TSC 326TSC	11	12.5	5.25	0.25	+0.25	14	4	5/8-11	0.94	1.875	3.50	1.591	2.03	0.500
364TC 365TC	11	12.5	5.88	0.25	+0.25	14	8	5/8-11	0.94	2.375	5.62	2.021	4.28	0.625
364TSC 365TSC	11	12.5	5.88	0.25	0.25	14	8	5/8-11	0.94	1.875	3.50	1.591	2.03	0.500
404TC 405TC	11	12.5	6.62	0.25	+0.25	15.5	8	5/8-11	0.94	2.875	7.00	2.45	5.65	0.750
404TSC 405TSC	11	12.5	6.62	0.25	+0.25	15.5	8	5/8-11	0.94	2.125	4.00	1.845	2.78	0.500
444TC 445TC	14	16	7.5	0.25	+0.25	18	8	5/8-11	0.94	3.375	8.25	2.88	6.91	0.875
444TSC 445TSC	14	16	7.5	0.25	0.25	18	8	5/8-11	0.94	2.375	4.50	2.021	3.03	0.500
447TC 449TC	14	16	7.5	0.25	+0.25	18	8	5/8-11	0.94	3.375	8.25	2.88	6.91	0.875
447TSC 449TSC	14	16	7.5	0.25	+0.25	18	8	5/8-11	0.94	2.375	4.50	2.021	3.03	0.500

Hazardous Location Definitions*

- HAZARDOUS LOCATION:** An area where the possibility of explosion and fire is created by the presence of flammable gases, vapors, dusts, fibers or flyings.
- DIVISION 1** Division 1 in the normal situation; the hazard would be expected to be present in everyday production operations or during frequent repair and maintenance activity.
- DIVISION 2** Division 2 in the abnormal situation; material is expected to be confined within closed containers or closed systems and will be present only through accidental rupture, breakage or unusual faulty operation.
- CLASS I** Those areas in which flammable gases or vapors may be present in the air in sufficient quantities to be explosive or ignitable.
- CLASS II** Those areas made hazardous by the presence of combustible dust.
- CLASS III** Those areas in which there are easily ignitable fibers or flyings present, due to type of material being handled, stored or processed.

GROUPS	The gases and vapors of Class I locations are broken into four groups by the codes A, B, C and D. These materials are grouped according to the ignition temperature of the substance, its explosion pressure and other flammable characteristics.	Group A	Acetylene
		Group B	Hydrogen
		Group C	Ethyl-Ether, Ethylene, Cycle Propane
		Group D	Gasoline, Hexane, Naptha, Benzene, Butane, Propane, Alcohol, Lacquer Solvent Vapors, Natural Gas
	Class II - dust locations - groups E, F & G. These groups are classified according to the ignition temperature and the conductivity of the hazardous substance.	Group E	Metal Dust
		Group F	Carbon Black, Coal, Coke Dust
		Group G	Flour, Starch, Grain Dust

OPERATING TEMP. CODES	Maximum Temperature		Temperature Code	Notes
	Degrees C	Degrees F		
	450	842	T1	1) T3C is offered by NAE 2) T1 through T2D not applicable to Class II locations. 3) T2A through T2D, Class I Group D only.
	300	572	T2	
	280	536	T2A	
	260	500	T2B	
	230	446	T2C	
	215	419	T2D	
	200	392	T3	
	180	356	T3A	
	165	329	T3B	
	160	320	T3C	
	135	275	T4	
	120	248	T4A	
	100	212	T5	
	85	185	T6	

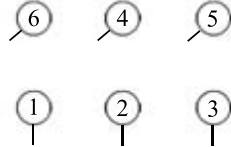
- NOTES**
- 1) NAE offers Class I and Class II only. NAE does not offer Group A or B..
 - 2) Refer to Base List Price Section for available ratings.
 - 3) Orders for Explosionproof Motors must specify Division, Class, Group and Temperature Code.

* These are simplified definitions - refer to National Electrical Code (NEC), Article 500 for complete definitions.

DIRECT-ON-LINE STARTING

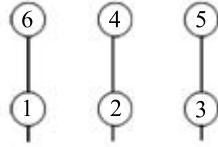
SINGLE VOLTAGE STAR-DELTA CONNECTION

WYE-DELTA START



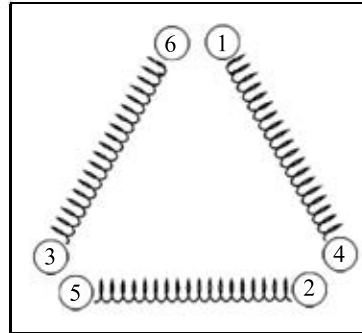
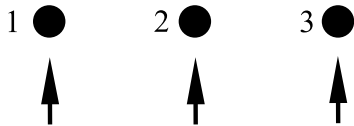
CONNECT TO STARTER
1, 2, 3, 4, 5, 6

DOL START



LINE CONNECTIONS
LINK TOGETHER
1-6, 2-4, 3-5

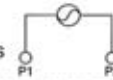
3 LEAD STAR



WYE-DELTA STARTING

P

THERMISTORS

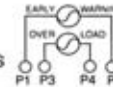


CONNECT TO THERMISTOR CONTROL UNIT

ON CERTIFIED HAZARDOUS AREA
MOTORS, HEATERS (IF FITTED)
MUST BE INTERLOCKED TO
PREVENT OPERATION WHEN
WINDINGS ARE ENERGIZED.

PE

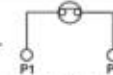
THERMISTORS



CONNECT TO THERMISTOR CONTROL UNITS

P

THERMOSTAT



CONNECT TO OVERLOAD PROTECTION CIRCUIT

IT IS MANDATORY ON CERTIFIED
HAZARDOUS AREA MOTORS TO
CONNECT THERMISTORS OR
THERMOSTATS INTO MOTOR
CONTROL CIRCUIT.

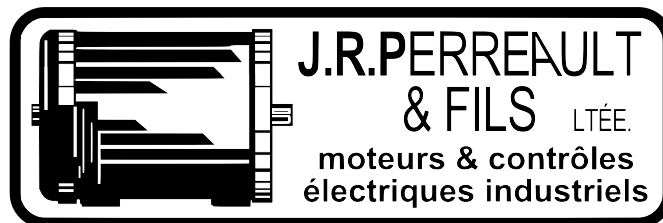
MAGNETIC BRAKES

ARE MARKED B1 & B2 FOR SINGLE
PHASE BRAKES AND B1, B2 & B3 FOR
THREE PHASE BRAKES. BRAKE LEADS
CONNECT AS DIAGRAM UNLESS
BRAKE IS EXCITED FROM SEPARATE
SUPPLY

NEWPORT EXPLOSION PROOF MOTORS
NEMA FRAME 56C FOOT MOUNT



CLASS 1, GROUP C & D
CLASS 2, GROUP F & G
TEMPERATURE CODE T3C



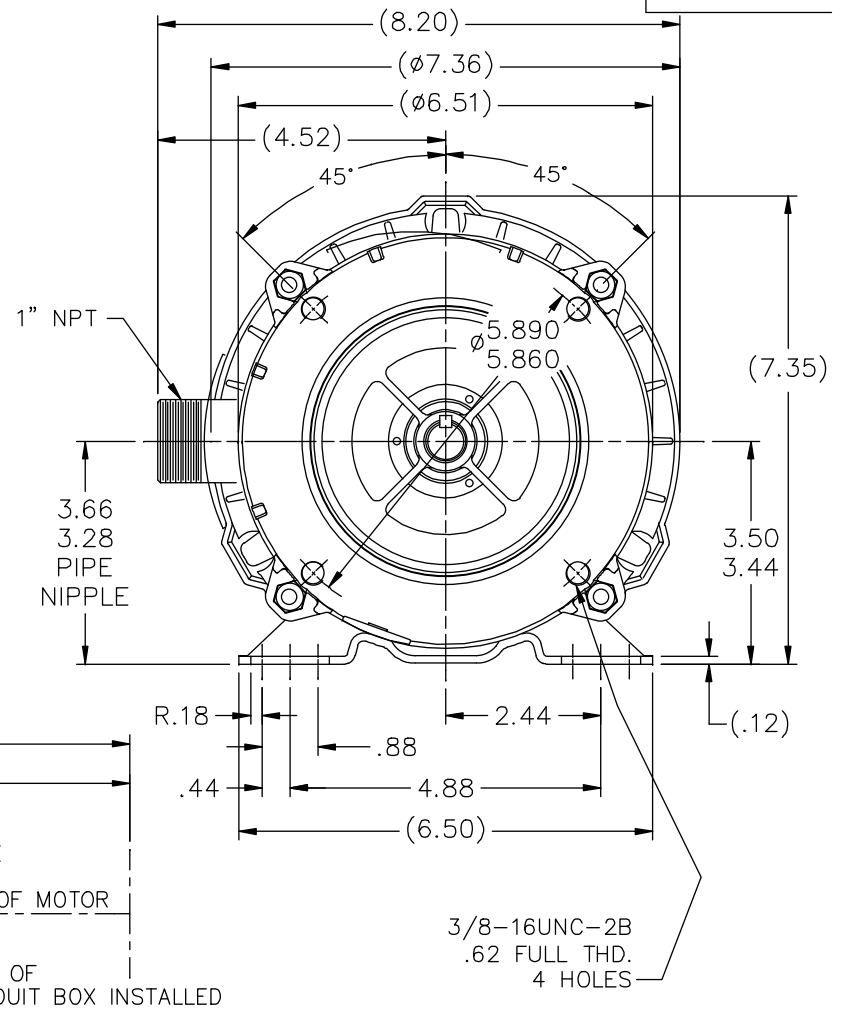
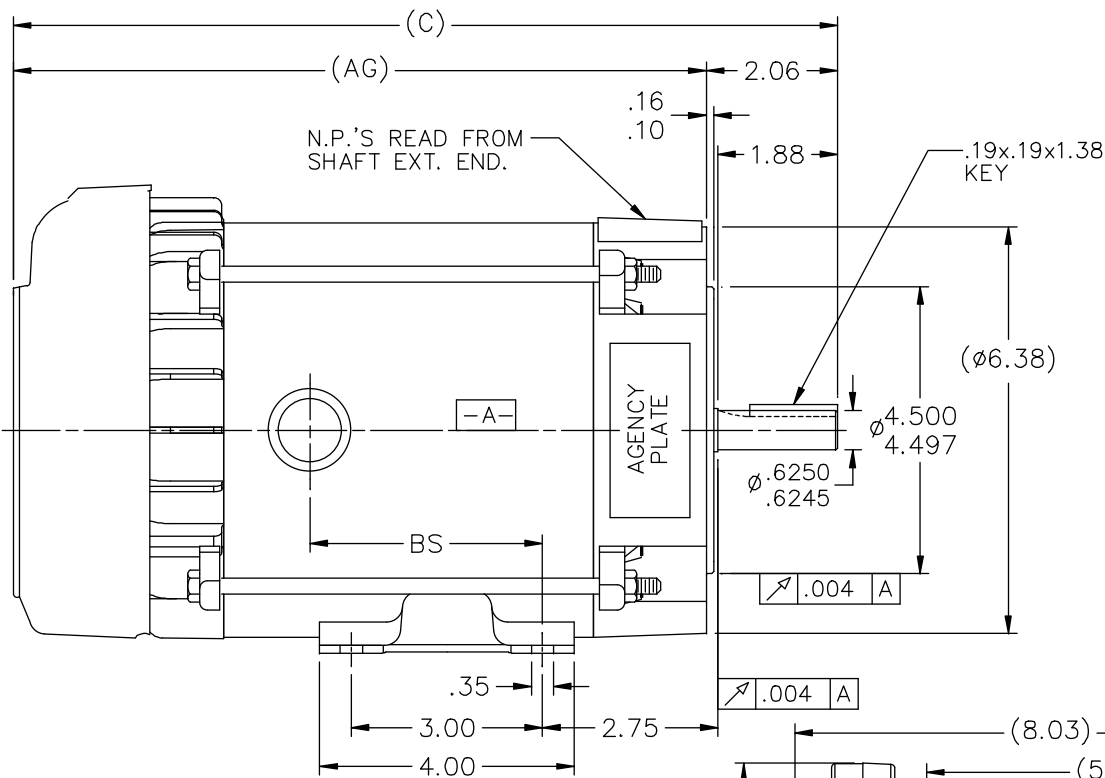
www.jrperreault.com

jrp@jrperreault.com

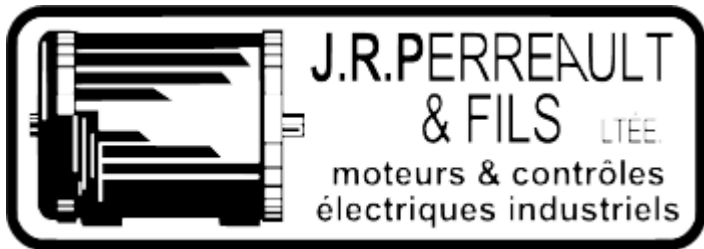
1-800-463-0400

NEWPORT MOTORS: EXPLOSION PROOF FRAME 56C

MODEL	HP	POLES	FULL LOAD SPEED	NEMA FRAME	VOLTAGE	PH.	HZ	FULL LOAD AMPS	SERVICE FACTOR	EFFICIENCY 100% LOAD	POWER FACTOR	NEMA DESIGN	WEIGHT LBS	TOTAL LENGTH IN.	LIST PRICE
YBSC9050-2C/****	1/3	2	3480	56C	115/208-230	1	60	4.0/2.0	1.00	65	0.82	B	39	12.750	945.00 \$
YBSC9051-2C/****	1/2	2	3480	56C	115/208-230	1	60	5.4/2.7	1.00	70	0.86	B	42	12.750	985.00 \$
YBSC9052-2L/****	3/4	2	3500	56C	115/208-230	1	60	6.0/3.0	1.00	76	0.86	B	44	14.000	1154.00 \$
YBSC9053-2L/****	1	2	3500	56C	115/208-230	1	60	8.0/4.0	1.00	79	0.86	B	50	14.000	1225.00 \$
YBSC9054-2L/****	1.5	2	3500	56C	115/208-230	1	60	11.4/5.7	1.00	81	0.86	B	55	14.000	1397.00 \$
YBSC9055-2L/****	2	2	3500	56C	115/208-230	1	60	15.2/7.6	1.00	83	0.86	B	58	15.000	1628.00 \$
YBSC9050-2S/****	1/3	2	3470	56C	208-230/460	3	60	1.0/0.5	1.00	78	0.76	B	32	12.750	1054.00 \$
YBSC9051-2S/****	1/2	2	3470	56C	208-230/460	3	60	1.6/0.8	1.00	78	0.75	B	36	12.750	1185.00 \$
YBSC9052-2S/****	3/4	2	3450	56C	208-230/460	3	60	2.0/1.0	1.00	80	0.80	B	38	14.000	1224.00 \$
YBSC9053-2S/****	1	2	3460	56C	208-230/460	3	60	2.8/1.4	1.00	82	0.82	B	41	14.000	1298.00 \$
YBSC9054-2S/****	1.5	2	3450	56C	208-230/460	3	60	3.8/1.9	1.00	84	0.86	B	45	14.000	1345.00 \$
YBSC9055-2S/****	2	2	3450	56C	208-230/460	3	60	5.0/2.5	1.00	85	0.87	B	48	15.000	1496.00 \$
YBSC9050-2SH/****	1/3	2	3470	56C	575	3	60	0.8	1.00	78	0.76	B	32	12.750	1054.00 \$
YBSC9051-2SH/****	1/2	2	3470	56C	575	3	60	1.2	1.00	78	0.75	B	36	12.750	1185.00 \$
YBSC9052-2SH/****	3/4	2	3450	56C	575	3	60	1.6	1.00	80	0.80	B	38	14.000	1224.00 \$
YBSC9053-2SH/****	1	2	3460	56C	575	3	60	2.2	1.00	82	0.82	B	41	14.000	1298.00 \$
YBSC9054-2SH/****	1.5	2	3450	56C	575	3	60	3.0	1.00	84	0.86	B	45	14.000	1345.00 \$
YBSC9055-2SH/****	2	2	3450	56C	575	3	60	4.0	1.00	85	0.87	B	48	15.000	1496.00 \$
YBSC9050-4L/****	1/3	4	1740	56C	115/208-230	1	60	3.0/1.5	1.00	71	0.74	B	39	12.750	855.00 \$
YBSC9051-4L/****	1/2	4	1740	56C	115/208-230	1	60	4.2/2.1	1.00	75	0.76	B	42	12.750	920.00 \$
YBSC9052-4L/****	3/4	4	1750	56C	115/208-230	1	60	5.8/2.9	1.00	78	0.81	B	44	14.000	1065.00 \$
YBSC9053-4L/****	1	4	1750	56C	115/208-230	1	60	7.8/3.9	1.00	79	0.82	B	50	14.000	1112.00 \$
YBSC9054-4L/****	1.5	4	1750	56C	115/208-230	1	60	11.4/5.7	1.00	81	0.84	B	55	14.000	1285.00 \$
YBSC9055-4L/****	2	4	1750	56C	115/208-230	1	60	15.4/7.7	1.00	83	0.86	B	58	15.000	1488.00 \$
YBSC9050-4S/****	1/3	4	1700	56C	208-230/460	3	60	1.2/0.6	1.00	73	0.74	B	32	12.750	960.00 \$
YBSC9051-4S/****	1/2	4	1700	56C	208-230/460	3	60	1.6/0.8	1.00	75	0.76	B	36	12.750	1045.00 \$
YBSC9052-4S/****	3/4	4	1700	56C	208-230/460	3	60	2.0/1.0	1.00	78	0.81	B	38	14.000	1098.00 \$
YBSC9053-4S/****	1	4	1700	56C	208-230/460	3	60	2.8/1.4	1.00	80	0.82	B	41	14.000	1125.00 \$
YBSC9054-4S/****	1.5	4	1700	56C	208-230/460	3	60	4.0/2.0	1.00	82	0.84	B	45	14.000	1298.00 \$
YBSC9055-4S/****	2	4	1700	56C	208-230/460	3	60	5.2/2.6	1.00	84	0.86	B	48	15.000	1385.00 \$
YBSC9050-4SH/****	1/3	4	1700	56C	575	3	60	1.0	1.00	73	0.74	B	32	12.750	960.00 \$
YBSC9051-4SH/****	1/2	4	1700	56C	575	3	60	1.2	1.00	75	0.76	B	36	12.750	1045.00 \$
YBSC9052-4SH/****	3/4	4	1700	56C	575	3	60	1.8	1.00	78	0.81	B	38	14.000	1098.00 \$
YBSC9053-4SH/****	1	4	1700	56C	575	3	60	2.2	1.00	80	0.82	B	41	14.000	1125.00 \$
YBSC9054-4SH/****	1.5	4	1700	56C	575	3	60	3.2	1.00	82	0.84	B	45	14.000	1298.00 \$
YBSC9055-4SH/****	2	4	1700	56C	575	3	60	5.2	1.00	84	0.86	B	48	15.000	1385.00 \$



C DIMENSION:
 YBSC90S0: 12.750 IN.
 YBSC90S1: 12.750 IN.
 YBSC90S2: 14.000 IN.
 YBSC90S3: 14.000 IN.
 YBSC90S4: 14.000 IN.
 YBSC90S5: 15.000 IN.



NEWPORT MOTORS

WWW.JRPERREault.COM
 JRP@JRPERREault.COM
 1-800-463-0400

