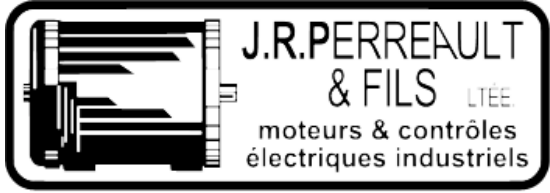


# CANTONI AND NORDIC CRUSHER MOTORS



TELEPHONE:  
1-800-463-0400

[www.jrperreault.com](http://www.jrperreault.com)



**Dependable and Reliable Power for your Dusty, Dirty and Heavy Shock Continuous Operations, in a Severe Environment**

150-600 HP 3PH TEFC 60 Hz NEMA AC Foot Mounted Motors

## Features

- Inverter Duty Rated: 5:1CT & 10:1VT
- Service Factor: up to 1.20
- Design: High Starting Torque
- Protection Degree: IP55
- Enclosure: TEFC 200 grade cast iron frame and brackets
- Warranty: 3-Years
- 460V 60Hz double delta, double rated for 380V 50Hz at lower HP output
- Roller bearing on DE side for belt drive applications
- 4140 equivalent steel shaft
- Unibody design
- Vacuum Pressure Impregnation (VPI) for best electrical performance
- Class "F" insulation with Class "B" rise
- 12 leads out
- Large junction box
- Thermistors and space heaters standard (449T and up)
- Suitable for Y/delta starting and part winding starting
- Designed for horizontal application
- F1 / F2 convertible up to 449T frame
- CSA-US certified and CE marked

## Applications

Ideal for for mining, quarry and other aggregate operations which require a durable, robust construction and unshakable crusher performance for continuous operation for years to come

## CANTONI CRUSHER DUTY MOTORS

TYPE	MODEL	VOLT CODE	HP	RPM	FRAME	ENCL	LISTE
SG-	587UZ8/1	XXX	200	900	587UZ	TEFC	41 821.00 \$
SG-	449T4/1	XXX	250	1800	449T	TEFC	30 912.00 \$
SG-	449T6/1	XXX	250	1200	449T	TEFC	37 005.00 \$
SG-	587UZ6/1	XXX	250	1200	587UZ	TEFC	38 627.00 \$
SG-	587UZ8/2	XXX	250	900	587UZ	TEFC	41 821.00 \$
SG-	449T4/2	XXX	300	1800	449T	TEFC	38 861.00 \$
SG-	449T6/2	XXX	300	1200	449T	TEFC	41 289.00 \$
SG-	587UZ6/2	XXX	300	1200	587UZ	TEFC	40 953.00 \$
SG-	587UZ8/3	XXX	300	900	587UZ	TEFC	47 400.00 \$
SG-	449T4/3	XXX	350	1800	449T	TEFC	44 135.00 \$
SG-	587UZ4/1	XXX	350	1800	587UZ	TEFC	39 821.00 \$
SG-	587UZ8/4	XXX	350	900	587UZ	TEFC	53 730.00 \$
SG-	587UZ4/2	XXX	400	1800	587UZ	TEFC	42 468.00 \$
SG-	587UZ6/3	XXX	400	1200	587UZ	TEFC	48 792.00 \$
SG-	587UZ4/3	XXX	450	1800	587UZ	TEFC	49 375.00 \$
SG-	587UZ4/4	XXX	500	1800	587UZ	TEFC	54 116.00 \$

## JRP/NORDIC CRUSHER DUTY MOTORS

TYPE	MODEL	VOLT CODE	HP	RPM	FRAME	ENCL	LISTE
NDC-	587UZ8/1	XXX	200	900	587UZ	TEFC	37 341.00 \$
NDC-	587UZ4/1	XXX	250	1800	587UZ	TEFC	31 889.00 \$
NDC-	587UZ6/1	XXX		1200	587UZ	TEFC	34 439.00 \$
NDC-	587UZ8/2	XXX		900	587UZ	TEFC	37 341.00 \$
NDC-	587UZ4/2	XXX	300	1800	587UZ	TEFC	32 968.00 \$
NDC-	587UZ6/2	XXX		1200	587UZ	TEFC	36 566.00 \$
NDC-	587UZ8/3	XXX		900	587UZ	TEFC	42 322.00 \$
NDC-	587UZ4/3	XXX	350	1800	587UZ	TEFC	35 555.00 \$
NDC-	587UZ6/3	XXX		1200	587UZ	TEFC	39 847.00 \$
NDC-	587UZ8/4	XXX		900	587UZ	TEFC	47 975.00 \$
NDC-	587UZ4/4	XXX	400	1800	587UZ	TEFC	37 918.00 \$
NDC-	587UZ6/6	XXX		1200	587UZ	TEFC	43 565.00 \$
NDC-	588UZ8/1	XXX		900	588UZ	TEFC	43 565.00 \$
NDC-	588UZ4/1	XXX	450	1800	588UZ	TEFC	44 085.00 \$
NDC-	588UZ6/1	XXX		1200	588UZ	TEFC	48 848.00 \$
NDC-	588UZ4/2	XXX	500	1800	588UZ	TEFC	48 318.00 \$
NDC-	588UZ6/2	XXX		1200	588UZ	TEFC	51 485.00 \$
NDC-	588UZ4/3	XXX	600	1800	588UZ	TEFC	52 847.00 \$

**DISC.:**

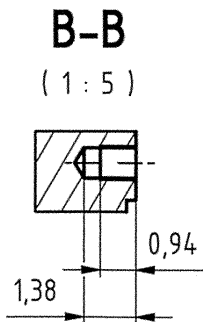
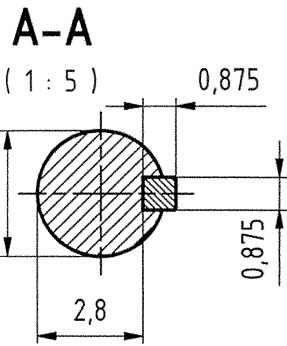
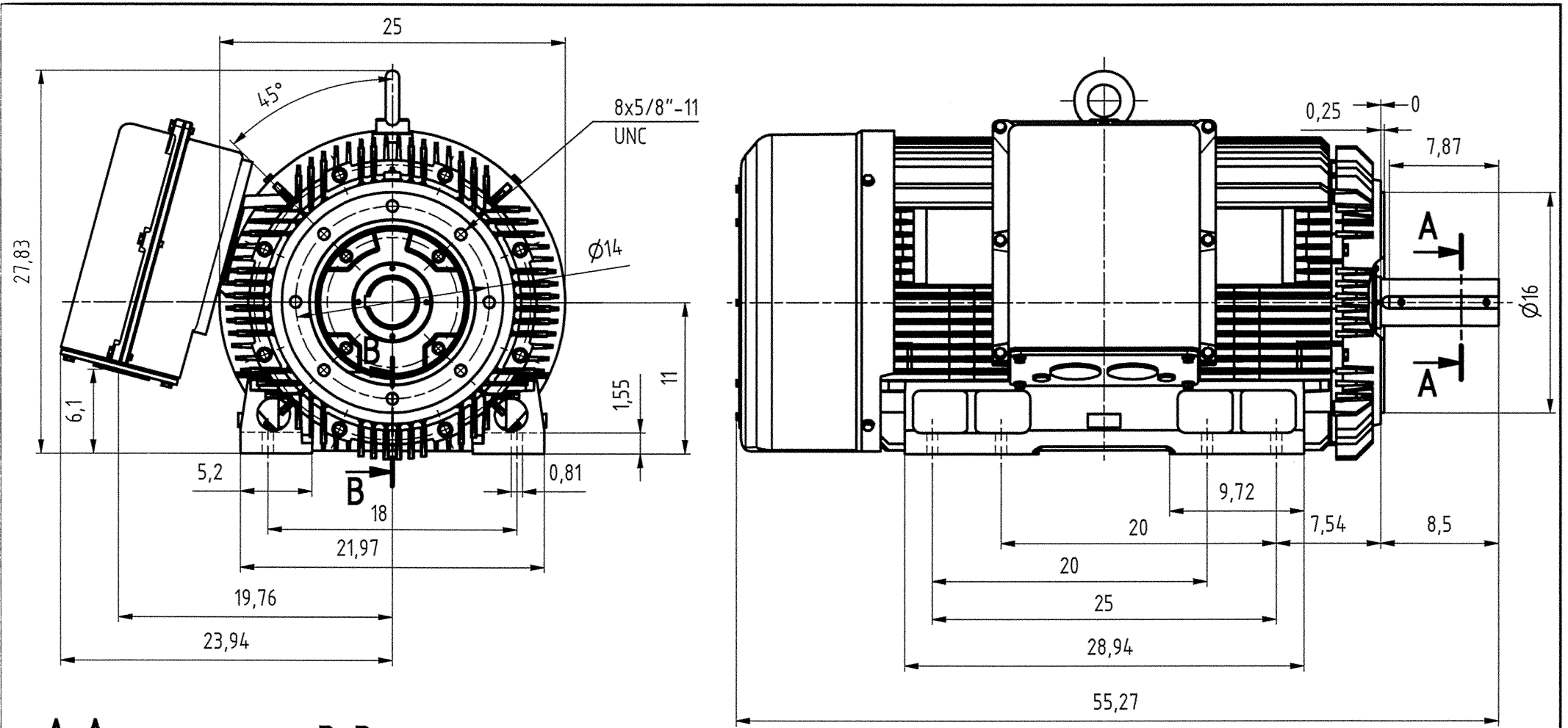
**VOLTAGE CODE:**

575= 575 VOLTS

460= 460 VOLTS

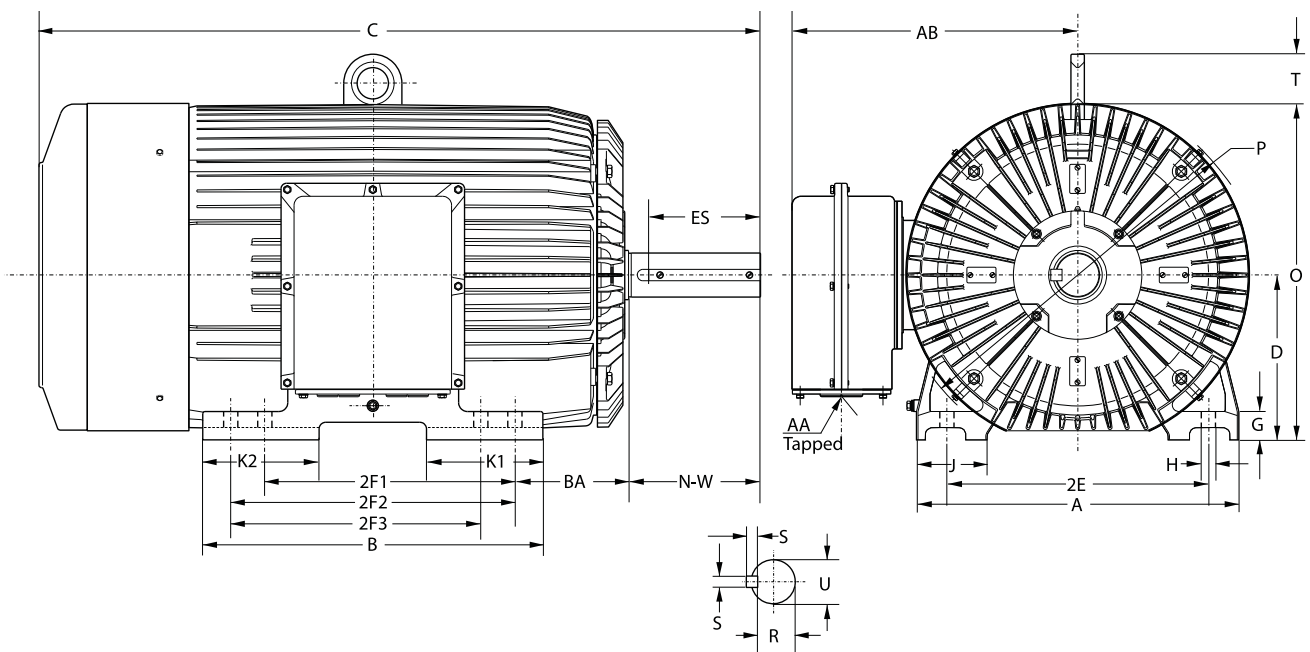
# PERFORMANCE CANTONI MOTORS

HP	RPM	FRAME	F.L.T.	L.R.T	B.D.T.	F.L.A.	F.L.A.	L.R.A	EFF.	EFF.	EFF.	P.F.	DES.	NEMA	S.F.	INS.	WEIGHT	BEARING	BEARING
			LB/PD	% F.L.T.	% F.L.T.	575 V.	460 V.		100%	75%	50%			CODE			LBS	D.E.	N.D.E.
200	889	587UZ	1181	210	200	210	0	5.1	94.5	94.5	93.6	75	C	F	1.15	F	3131	NU322	6322
250	1790	449TZ	735	200	230	221	276	6.1	96.2	95.8	95.5	88	C	F	1.15	F	1872	NU320	6320
	1189	449TZ	1105	220	210	244	305	6.2	95.0	94.9	93.9	80	C	F	1.15	F	2645	NU320	6320
	1186	587UZ	1107	210	220	237	284	5.9	94.5	94.4	93.6	84	C	F	1.15	F	3144	NU322	6322
	889	587UZ	1476	210	200	258	307	5.1	95.0	94.9	93.1	76	C	F	1.15	F	3482	NU322	6322
300	1787	449TZ	882	240	230	278	347	6.1	95.4	95.4	95.1	87	C	F	1.15	F	2665	NU320	6320
	1188	449TZ	1326	230	210	294	368	5.9	95.0	95.0	94.8	81	C	F	1.15	F	2900	NU320	6320
	1186	587UZ	1328	200	210	279	335	6.2	95.0	94.7	93.4	85	C	G	1.15	F	3274	NU322	6322
	886	587UZ	1772	210	200	279	335	5.7	95.0	95.0	94.4	85	C	F	1.15	F	3506	NU322	6322
350	1787	449TZ	1029	230	240	320	400	6.2	95.4	95.4	95.1	87	C	F	1.15	F	2830	NU320	6320
	1786	587UZ	1029	210	210	316	379	6.5	95.4	95.1	94.0	87	C	G	1.15	F	3620	NU322	6322
	1187	587UZ	1548	245	220	323	388	6.3	95.4	95.3	94.5	85	C	G	1.15	F	3881	NU322	6322
400	1785	449TZ	1176	210	220	375	450	6.1	95.4	95.4	93.5	87	C	G	1.00	F	3620	NU320	6320
	1786	587UZ	1176	200	210	357	428	6.5	95.4	95.0	93.6	88	C	G	1.15	F	4010	NU322	6322
	1191	587UZ	1763	200	260	357	428	6.5	95.4	95.2	94.2	88	C	G	1.15	F	4060	NU322	6322
450	1787	587UZ	1323	220	210	394	473	6.5	96.2	95.9	95.0	89	C	G	1.15	F	4150	NU322	6322
500	1786	587UZ	1471	200	210	444	533	6.5	95.8	95.5	94.0	88	C	G	1.15	F	4150	NU322	6322



SLgm449-4BC	Designed	W. Szczapa	<i>[Signature]</i>	2014.10.27
Dimensional drawing	Checked	W. Szczapa	<i>[Signature]</i>	2014.10.27
	Approved	S. Wojewoda	<i>[Signature]</i>	2014.10.27
<b>EMIT Żychlin</b>	Podziałka	1:10	<b>RZ-449639</b>	REV <b>00</b>

## CANTONI Series – 587UZ Footed Mounting Dimensions



Frame	# of Poles	Mounting Dimensions												Overall Dimensions											
		D	2E	2F1	2F2	2F3	G	H	Shaft End					A	AA	AB	B	C	J	K1	K2	O	P	T	
									BA	ES	N-W	R	S												U
587UZ	4,6	14.5	23	22	25	XX	2.48	1.25	10.0	9.84	11.63	3.31	1.00	3.875	28.35	2 X 3	23.62	29.92	64.0	6.22	XX	XX	29.1	30.6	5.5

587 Base suitable for 586 Frame mounting (F1 position only).

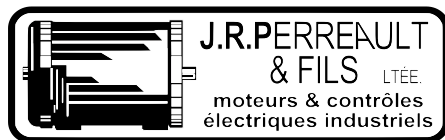
# JRP/NORDIC CRUSHER DUTY PERFORMANCE

NEMA DESIGN 'C': HAUT COUPLE DE DÉMARRAGE  
 ROULEMENT À ROULEAU CÔTÉ ENTRAÎNEMENT  
 DEFLECTEUR DE POUSSIÈRE DES DEUX CÔTÉS  
 CONSTRUCTION EN FONTE (FC200) ET ARBRE D'ACIER 4140  
 THERMISTORS CLASSE F ET ÉLÉMENTS CHAUFFANTS 120 VAC  
 ELEVATION TEMPÉRATURE CLASSE B (80°C), ISOLATION CLASSE F (155°C)

NEMA DESIGN C: HIGH STARTING TORQUE  
 ROLLER BEARING ON DRIVE END  
 LABYRINTH SEALS ON BOTH ENDS  
 FULL CAST IRON CONSTRUCTION (FC200) WITH 4140 STEEL SHAFT  
 CLASS F THERMISTORS WITH 120 VAC HEATERS  
 CLASS B TEMPERATURE RISE (80°C), INSULATION CLASS F (155°C)

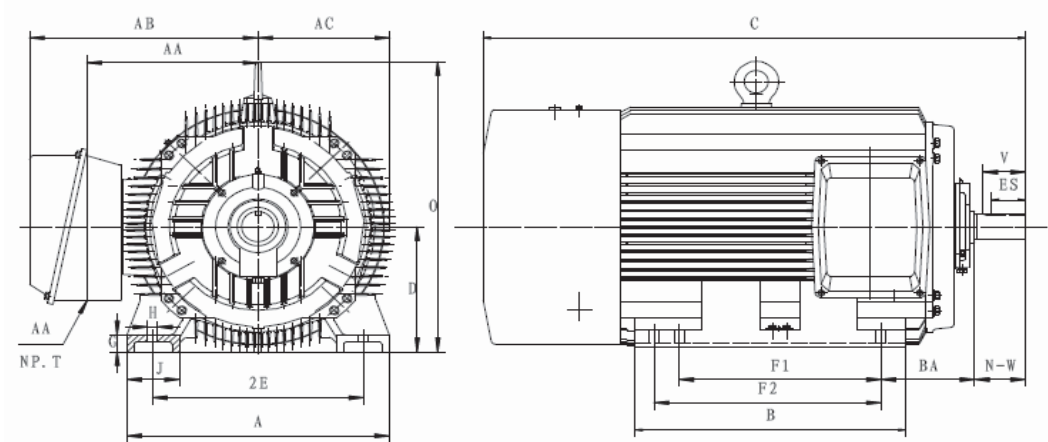


HP	RPM	FRAME	460 VOLTS		575 VOLTS		TORQUE			EFFICIENCY			POWER FACTOR	NEMA	BEARING	BEARING
			F.L.A.	L.R.A.	F.L.A.	L.R.A.	F.L.T. (LB/PD)	L.R.T. %	B.D.T. %	100%	75%	50%	100%	DESIGN	D.E.	N.D.E.
300	3575	587USS	329	1974	263	1579	440.56	200	220	95.0	94.2	93.3	90.0	C	6320/C3	6320/C3
350	3575	587USS	383	2449	306	1959	513.99	205	220	95.0	94.4	93.4	90.0	C	6320/C3	6320/C3
400	3575	587USS	438	2452	350	1961	587.41	200	220	95.0	94.6	93.8	90.0	C	6320/C3	6320/C3
450	3575	587USS	493	2633	394	2106	660.84	200	220	95.0	95.0	94.3	90.0	C	6320/C3	6320/C3
500	3575	588USS	548	3346	438	2676	734.27	210	220	95.0	95.2	94.4	90.0	C	6320/C3	6320/C3
600	3575	588USS	657	3322	526	2657	881.12	200	220	95.0	95.3	94.8	90.0	C	6320/C3	6320/C3
300	1790	587UZ	332	2053	265	1642	879.89	200	220	95.0	94.5	93.7	89.0	C	NU-324/C3	6324
350	1790	587UZ	388	2310	310	1848	1026.54	200	220	95.0	94.6	93.9	89.0	C	NU-324/C3	6324
400	1790	587UZ	443	2558	354	2046	1173.18	200	220	95.0	94.6	94.1	89.0	C	NU-324/C3	6324
450	1790	587UZ	498	2895	398	2316	1319.83	200	220	95.0	94.8	94.1	89.0	C	NU-324/C3	6324
500	1790	588UZ	554	3355	443	2684	1466.48	205	220	95.0	94.8	94.1	89.0	C	NU-324/C3	6324
600	1790	588UZ	664	3833	531	3066	1579.78	200	220	95.0	94.9	94.3	89.0	C	NU-324/C3	6324
250	1190	587UZ	287	1742	229	1393	1102.94	210	220	95.0	94.5	93.6	86.0	C	NU-324/C3	6324
300	1190	587UZ	344	1992	275	1593	1323.53	210	220	95.0	94.6	93.8	86.0	C	NU-324/C3	6324
350	1190	587UZ	401	2525	320	2020	1544.12	210	220	95.0	94.6	93.7	86.0	C	NU-324/C3	6324
400	1190	587UZ	458	2715	366	2172	1764.71	210	220	95.0	94.7	93.9	86.0	C	NU-324/C3	6324
450	1190	588UZ	516	3148	412	2518	1985.29	210	220	95.0	94.7	93.9	87.0	C	NU-324/C3	6324
500	1190	588UZ	573	3381	458	2704	2205.88	210	220	95.0	95.0	94.2	87.0	C	NU-324/C3	6324
200	890	587UZ	240	1407	192	1125	1179.78	220	225	95.0	94.1	93.0	82.0	C	NU-324/C3	6324
250	890	587UZ	300	1702	240	1361	1474.72	220	225	95.0	94.6	93.6	82.0	C	NU-324/C3	6324
300	890	587UZ	361	1936	289	1548	1769.66	220	225	95.0	94.5	93.6	82.0	C	NU-324/C3	6324
350	890	587UZ	421	2353	337	1882	2064.61	220	225	95.0	94.5	93.6	82.0	C	NU-324/C3	6324
400	890	588UZ	481	2518	385	2014	2359.55	220	225	95.0	94.7	93.9	82.0	C	NU-324/C3	6324

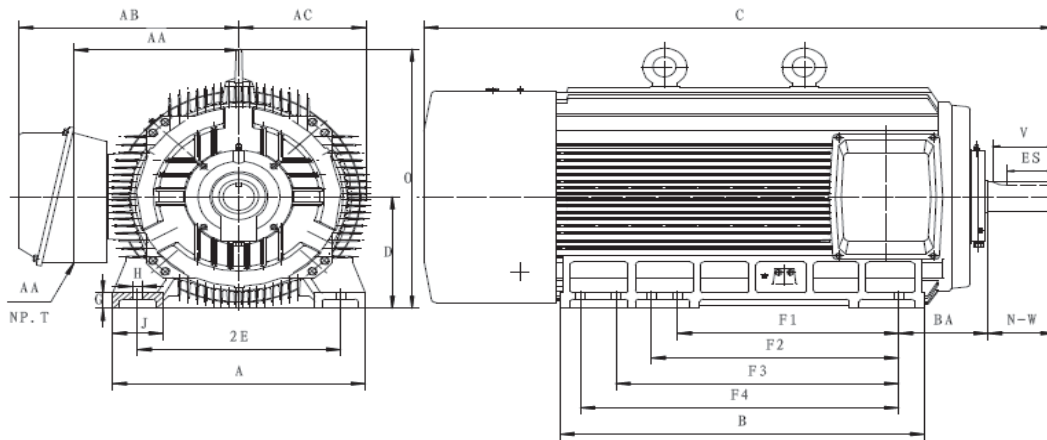


ΜΟΝΤΑΖΟΛΟΓΙΑ ΔΙΑΤΑΞΕΩΣ  
 Mounting Dimensions

587UZ



588UZ



Frame	# of Poles	2E	F1	F2	F3	F4	H	G	J	A	B	O	D	BA	AB	AC	AA	U	R	S	N-W	ES	V	C
587UZ	4,6,8	23	25	28	-	-	1.1	2	5.7	28.6	29.53	33.5	14.5	10	25	14.37	18.11	3.875	3.819	1	11.6	10	10.5	65
588UZ	4,6,8	23	25	28	32	36	1.1	2	5.7	28.6	41.14	33.5	14.5	10	25	14.37	18.11	3.875	3.819	1	11.6	10	10.5	77



