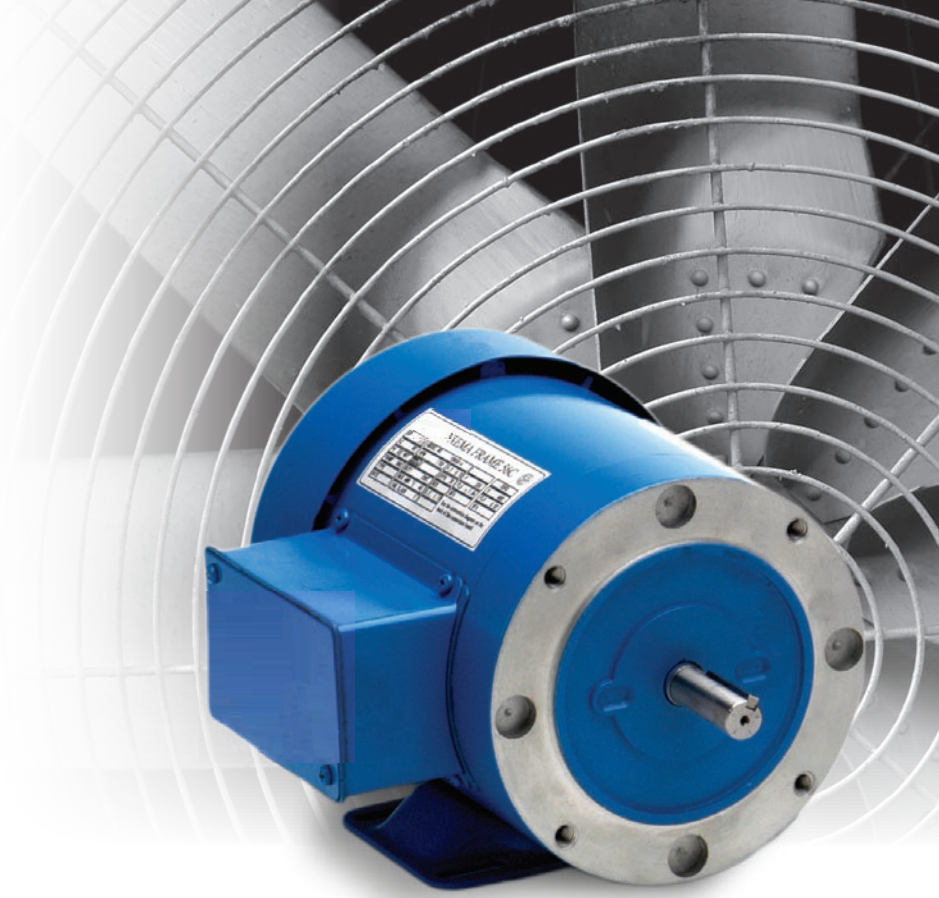


TELEPHONE: 1-800-463-0400

www.jrperreault.com



## JRP MOTORS 1 AND 3 PHASES, ROLLED STEEL OPEN DRIP-PROOF AND TEFC

1/3-3 HP 1PH & 3PH TEFC 60 Hz NEMA AC Foot Mounted and Round Body C-Face Motors

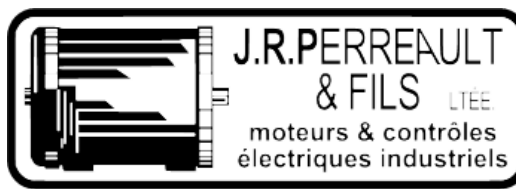
### Features

- Inverter Duty Rated: 3:1CT & 5:1VT (230/460V only)
- Service Factor: 1.15
- Design: "B"
- Protection Degree: IP55
- Enclosure: TEFC F1 mount
- Warranty: 1 Year
- C-Face with and without feet
- High starting torque
- 3-Phase 208-230/460V & 575V
- 3-Phase 380V 50Hz with lower HP output
- 1-Phase 115/230V
- 1-Phase available with and without thermal protection and manual reset
- Rolled steel NEMA frame 56C
- Aluminum alloy cast C-Face
- CSA-US certified and CE marked

### Applications

Energy-saving continuous duty 56C frame motors are designed for applications requiring exceptional value, quality and performance at home and/or in light industries such as machine tools, fans, conveyors and more.





## 56C Frame Rolled Steel – 1/3-2 HP

1PH TEFC 60 Hz NEMA AC Foot Mounted Motors

**Applications:** Energy-saving continuous duty motor designed for applications requiring exceptional value, quality and performance at home and/or in industries.

### Features

- Service Factor: 1.15
- Design: "B"
- Protection Degree: IP55
- Enclosure: TEFC
- High locked rotor torque
- Available with and without thermal protection and manual reset (TP)
- Rolled steel NEMA frame 56C
- Aluminum alloy cast C-Face
- Continuous duty
- Energy saving design
- F1 assembly
- CSA-US certified and CE marked
- Warranty: 1-Year

### 1 PHASE FOOTED WITH THERMAL OVERLOAD

HP	RPM	Frame	EFF	PF	Voltage	Full Load Amps	Service Factor	NEMA Design	Net Weight	Part Number	List Price	Notes <sup>(a)</sup>
1/3	3600	56C	57	82	115/230V	4.8/2.4	1.15	B	23	YCN5612A-1X2	337.00	
	1800	56C	60	59	115/230V	6/3	1.15	B	23.2	YCN5624A-1X2	340.00	
1/2	3600	56C	63	83	115/230V	6.2/3.1	1.15	B	24.3	YCN5624A-1X2	340.00	
	1800	56C	62	65	115/230V	8/4	1.15	B	24.3	YCN5634A-1X2	356.00	
3/4	3600	56C	64	83	115/230V	9/4.5	1.15	B	26.5	YCN5632A-1X2	367.00	
	1800	56C	73	71	115/230V	9.2/4.6	1.15	B	31	YCN5644A-1X2	384.00	
1	3600	56C	64	83	115/230V	12.4/6.2	1.15	B	32	YCN5642A-1X2	399.00	
	1800	56C	73	73	115/230V	12.2/6.1	1.15	B	36.4	YCN5654A-1X2	413.00	
1.5	3600	56C	66	84	115/230V	17.4/8.7	1.15	B	39.7	YCN5652A-1X2	420.00	
	1800	56C	74	77	115/230V	16.8/8.4	1.15	B	40.8	YCN5684A-1X2	452.00	
2	3600	56HC	72	84	115/230V	21.6/10.8	1.15	B	43	YCN5692AJN-1X2	519.00	
	1800	56HC	76	95	115/230V	18/9	1.15	B	43	YCYN5694AJN-1X2	543.00	

### 1 PHASE FOOTED WITHOUT THERMAL OVERLOAD

HP	RPM	Frame	EFF	PF	Voltage	Full Load Amps	Service Factor	NEMA Design	Net Weight	Part Number	List Price	Notes <sup>(a)</sup>
1	3600	143TC	64	83	115/230V	12.4/6.2	1.15	B	32	YCN5642-1X2	415.00	
	1800	143TC	73	73	115/230V	12.2/6.1	1.15	B	36.4	YCN5654-1X2	429.00	
1.5	3600	145TC	66	84	115/230V	17.4/8.7	1.15	B	39.7	YCN5652A-1X2	435.00	
	1800	145TC	74	77	115/230V	16.8/8.4	1.15	B	40.8	YCN5684-1X2	465.00	
2	3600	145TC	72	84	115/230V	21.6/10.8	1.15	B	43	YCN5692JN-1X2	530.00	
	1800	145TC	76	95	115/230V	18/9	1.15	B	43	YCYN5694-1X2	554.00	



## High Torque Single Phase Rolled Steel – 3-10 HP

1PH TEFC 60 Hz NEMA AC Foot Mounted and C-Face Motors

**Applications:** Ideal for a variety of moderate to high-starting torque applications such as grain augers, poultry feed augers, bin grain stirring systems, manure pumps, hog pond pumps, grain legs, grain cleaning, conveyors, pumps, aeration and more.

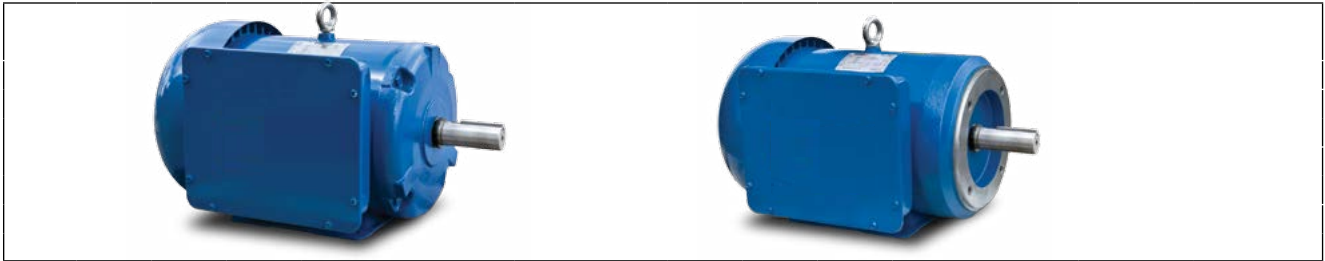
### Features

- High starting torque
- Service Factor: up to 1.15
- Design: "L"
- Protection Degree: IP55
- Enclosure: TEFC rolled steel NEMA frame
- Oversized ball bearings
- VPI process applied for best electrical performance
- F1 footmount assembly with or without C-Face
- 1-Phase 208-230V 60Hz
- Shaft v-ring seals
- Rolled steel construction with cast iron end plates
- Outdoor usable
- Start and run capacitors standard
- Corrosion resistant epoxy coated
- Condensation drains
- CSA-US certified
- Replacement parts available
- Warranty: 1-Year

### Footed Motors

HP	RPM	Frame	EFF	'C'	Voltage	Full Load Amps	Service Factor	NEMA Design	Net Weight	Footed Part Number	List Price	Notes (a)
3	3600	182T	79.4	18	208-230 V.	14.0-12.4	1.15	L	88	F182T3S2	1251.00	
	1800	182T	81.7	18	208-230 V.	14.5-12.6	1.15	L	92	F182T3S4	995.00	
5	3600	184T	82.5	17	208-230 V.	23.0-20.0	1.15	L	95	F184T5S2	1357.00	
	1800	184T	83.8	17	208-230 V.	22.5-20.0	1.15	L	110	F184T5S4	1115.00	
7.5	3600	213T	83.5	21	208-230 V.	31.5-29.0	1.15	L	123	F213T7.5S2	2214.00	
	1800	213T	84.5	21	208-230 V.	32.8-30.0	1.15	L	143	F215T7.5S4	1842.00	
10	1800	215T	88.7	22	208-230 V.	40.2-38.2	1.0	L	161	F215T10S4	1965.00	

### Footed C-Face Motors



C-Face Motors and C-Face Kits available for

**180TC \$48.00 net installed**

**210TC \$58.00 net installed**



## 56C Frame Rolled Steel – 1/3-3 HP

3PH TEFC 60 Hz NEMA AC Foot Mounted Motors

**Applications:** Energy-saving continuous duty motor designed for applications requiring exceptional value, quality and performance at home and/or in industries.

### Features

- Inverter Duty Rated: 3:1CT & 5:1VT (230/460V only)
- Service Factor: 1.15
- Design: "B"
- Protection Degree: IP55
- Enclosure: TEFC
- High locked rotor torque
- Rated 380V 50Hz with lower HP output
- Rolled steel NEMA frame 56C
- Aluminum alloy cast C-Face
- Continuous duty
- Energy saving design
- F1 assembly
- CSA-US certified and CE marked
- Warranty: 1-Year

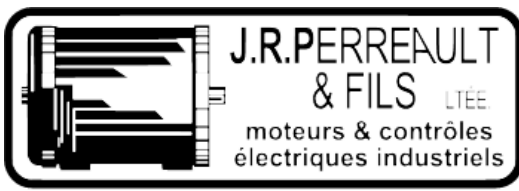
HP	RPM	Frame	EFF	PF	Voltage	Full Load Amps	Service Factor	NEMA Design	Net Weight	Part Number	List Price	Notes <sup>(a)</sup>
1/3	3600	56C	59	83	208-230/460V	1.4-1.3/0.65	1.15	B	21	YSN5602-XXX	292.00	
	1800	56C	79	81	208-230/460V	1.1-1/0.5	1.15	B	20.5	YSN5604-XXX	294.00	
1/2	3600	56C	62	85	208-230/460V	1.9-1.76/0.88	1.15	B	22.1	YSN5602-XXX	302.00	
	1800	56C	71	75	208-230/460V	2-1.8/0.9	1.15	B	21.2	YSN5614-XXX	299.00	
3/4	3600	56C	69	84	208-230/460V	2.7-2.4/1.2	1.15	B	23.4	YSN5612-XXX	315.00	
	1800	56C	72	76	208-230/460V	2.9-2.6/1.3	1.15	B	22.7	YSN5624-XXX	308.00	
1	3600	56C	69	85	208-230/460V	3.5-3.2/1.6	1.15	B	25.5	YSN5622-XXX	324.00	
	1800	56C	79	73	208-230/460V	3.8-3.4/1.7	1.15	B	23.6	YSN5634-XXX	323.00	
1.5	3600	56C	72	85	208-230/460V	5.1-4.6/2.3	1.15	B	29.5	YSN5632-XXX	341.00	
	1800	56C	83	76	208-230/460V	4.9-4.4/2.2	1.15	B	26	YSN5644-XXX	368.00	
2	3600	56HC	80	88	208-230/460V	6-5.4/2.7	1.15	B	35.3	YSN5642-XXX	383.00	
	1800	56HC	82	80	208-230/460V	6.4-5.8/2.9	1.15	B	31.1	YSN5664-XXX	430.00	
3	3600	56HC	80	83	208-230/460V	8.4-7.6/3.8	1.15	B	37.5	YSN5662-XXX	720.00	

575 VOLTS AMPS = 460 VOLTS AMPS X 0.80

ALSO AVAILABLE IN 140TC FRAME

XXX= VOLTAGE CODE: 2X4 = 230/460

575 = 575 V.



## 56C Frame Rolled Steel – 1-Phase and 3-Phase

### NEMA AC TEFC Footed and Round Body Performance Data and Mounting Dimensions

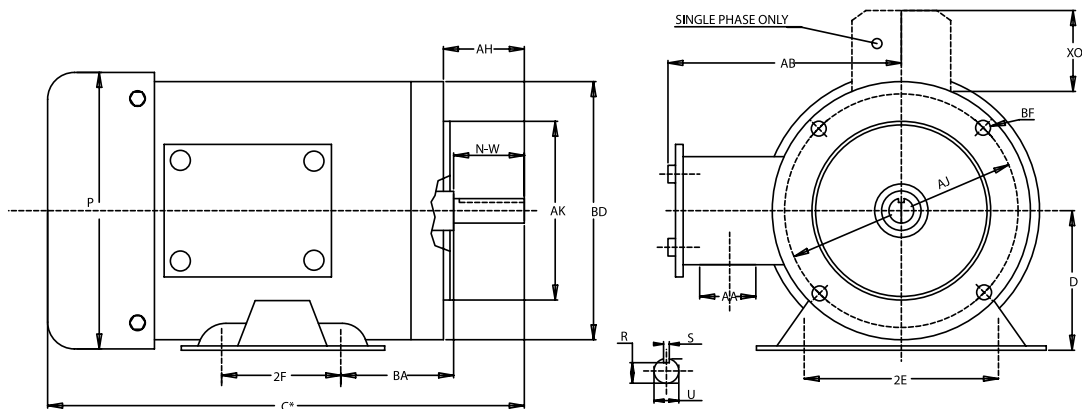
#### 1-Phase With or Without Thermal Protection and Manual Reset

HP	RPM	Frame	Phase	Volt	HZ	Amps 230V	LRT %	BDT %	LRA %	EFF %	PF %	C DIM	lbs
1/3	3450	56C	1	115/230	60	2.4	300	180	700	57	82	10.95	23.2
	1720	56C	1	115/230	60	3	280	180	700	60	59	10.95	23.2
1/2	3450	56C	1	115/230	60	3.1	280	180	700	63	83	10.95	24.3
	1720	56C	1	115/230	60	4	250	180	700	62	65	10.95	24.3
3/4	3450	56C	1	115/230	60	4.5	280	180	700	64	83	10.95	26.5
	1720	56C	1	115/230	60	4.6	250	180	700	73	71	11.42	31
1	3450	56C	1	115/230	60	6.2	250	180	700	64	83	11.42	32
	1720	56C	1	115/230	60	6.1	250	180	700	73	73	11.90	36.4
1.5	3450	56C	1	115/230	60	8.7	250	180	700	66	84	11.90	39.7
	1720	56C	1	115/230	60	8.4	250	180	700	74	77	12.90	40.8
2	3450	56HC	1	115/230	60	10.8	250	180	700	72	84	12.90	43
	1720	56HC	1	115/230	60	9	170	170	600	76	95	12.90	43

#### 3-Phase

HP	RPM	Frame	Phase	Volt	HZ	Amps 460V	LRT %	BDT %	LRA %	EFF %	PF %	C DIM	lbs
1/3	3400	56C	3	230/460	60	0.65	400	420	700	59	83	10.95	21
	1700	56C	3	230/460	60	0.5	280	320	700	79	81	10.95	20.5
1/2	3400	56C	3	230/460	60	0.88	400	400	700	62	85	10.95	22.1
	1700	56C	3	230/460	60	0.9	260	280	700	71	75	10.95	21.2
3/4	3400	56C	3	230/460	60	1.2	380	390	700	69	84	10.95	23.4
	1700	56C	3	230/460	60	1.3	270	320	700	72	76	10.95	22.7
1	3400	56C	3	230/460	60	1.6	380	370	800	69	85	10.95	25.5
	1700	56C	3	230/460	60	1.7	290	320	700	79	73	10.95	23.6
1.5	3400	56C	3	230/460	60	2.3	390	350	700	72	85	10.95	29.5
	1700	56C	3	230/460	60	2.2	280	320	700	83	76	11.50	26
2	3400	56HC	3	230/460	60	2.7	360	360	900	80	88	11.50	35.3
	1700	56HC	3	230/460	60	2.9	280	330	700	82	80	12.40	31.1
3	3400	56HC	3	230/460	60	3.8	340	350	800	80	83	12.40	37.5

230/460V suitable at 208V



Frame	PH	D	2E	2F	BA	N-W	R	S	U	AH	AJ	AK	BF	AA	AB	BD	P	X0
56C	1	3.5	4.88	3	2.75	1-7/8	33/64	3/16	5/8	2 1/16	5-7/8	4 1/2	3/8-16	0.87	5 5/16	6 19/32	7 1/10	1.72
56C	3	3.5	4.88	3	2.75	1-7/8	33/64	3/16	5/8	2 1/16	5-7/8	4 1/2	3/8-16	0.87	5 5/16	6 19/32	7 1/10	-

C Dimension included in performance data.

2 HP 1-Phase motor has 2 capacitors.

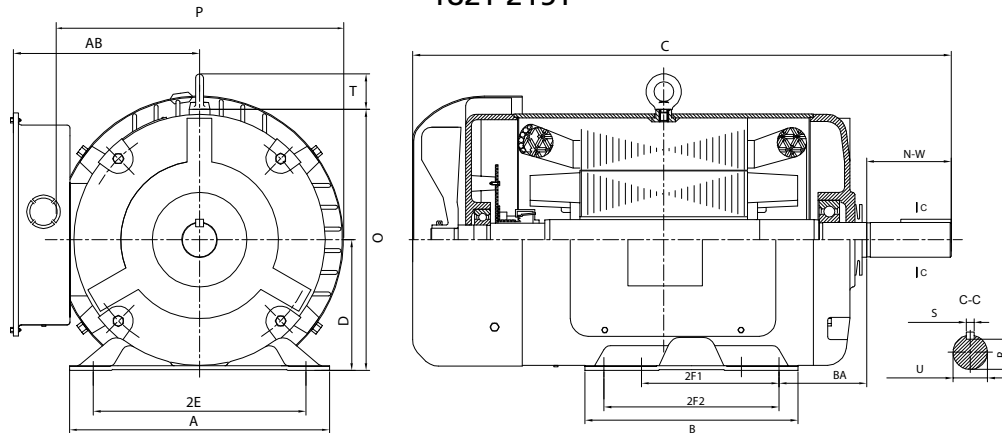
# High Torque Single Phase Rolled Steel Series – 1-Phase

## NEMA AC Foot Mounted and C-Face Performance Data and Mounting Dimensions

HP	RPM	Frame	Volt	Phase	HZ	Full Load Amps	LRT %	BDT %	LRA %	EFF %	PF %	lbs	Encl	Start Cap uF/350V	Run Cap uF/450V
3	3475	182T/TC	208-230/460V	1	60	14.0-12.4/6.3	234	150	641	79.4		88	TEFC	300	40
	1735	182T/TC	208-230/460V	1	60	14.5-12.6/6.4	295	160	695	81.7		92	TEFC	350	30
5	3490	184T/TC	208-230/460V	1	60	23.0-20.0/10.0	157	170	503	82.5		95	TEFC	400	50
	1740	184T/TC	208-230/460V	1	60	22.5-20.0/10.0	270	150	663	83.8		110	TEFC	350	40
7.5	3490	213T/TC	208-230/460V	1	60	31.5-29.0/15.0	314	190	616	83.5		123	TEFC	500	60
	1740	213T/TC	208-230/460V	1	60	32.8-30.0/15.2	340	180	783	84.5		143	TEFC	650	60 10
10	1738	215T/TC	208-230/460V	1	60	40.2-38.2/19.5	299	170	684	88.7		161	TEFC	450 (x2)*	50 (x2)*

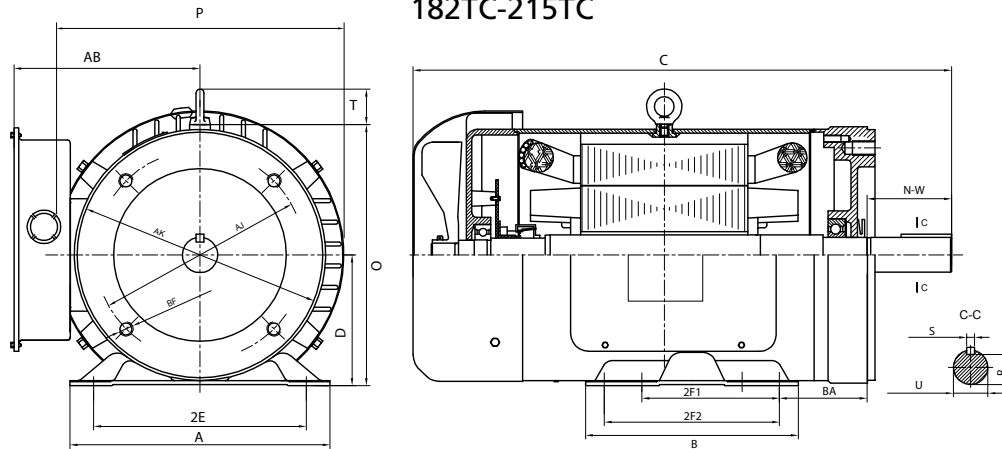
\* (2) capacitors needed per motor.

### 182T-215T



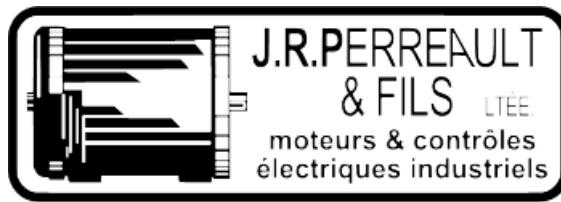
Frame	AB	T	O	2E	A	P	D	C	2F1	2F2	B	BA	N-W	S	R	U
182T	6.7	2	9.3	7.5	8.7	9	4.5	17	4.5	5.5	6.7	2.75	2.75	0.25	0.98	1.125
184T	6.7	2	9.3	7.5	8.7	9	4.5	18	4.5	5.5	6.7	2.75	2.75	0.25	0.98	1.125
213T	7.7	2	11	8.5	10	12	5.25	20	5.5	7	10	3.5	3.38	0.312	1.20	1.375
215T	7.7	2	11	8.5	10	12	5.25	20	5.5	7	10	3.5	3.38	0.312	1.20	1.375

### 182TC-215TC



Frame	AB	T	O	2E	A	P	D	C	2F1	2F2	B	BA	N-W	S	R	U	AJ	AK	BF
182TC	6.7	2	9.3	7.5	8.7	9	4.5	17	4.5	5.5	6.7	2.75	2.75	0.25	0.98	1.125	7.25	8.327	1/2-13UNC
184TC	6.7	2	9.3	7.5	8.7	9	4.5	18	4.5	5.5	6.7	2.75	2.75	0.25	0.98	1.125	7.25	8.327	1/2-13UNC
213TC	7.7	2	11	8.5	10	12	5.25	20	5.5	7	10	3.5	3.38	0.312	1.20	1.375	7.25	8.5	1/2-13UNC
215TC	7.7	2	11	8.5	10	12	5.25	20	5.5	7	10	3.5	3.38	0.312	1.20	1.375	7.25	8.5	1/2-13UNC





TELEPHONE: 1-800-463-0400

www.jrperreault.com

## SINGLE PHASE DRIP-PROOF MOTORS

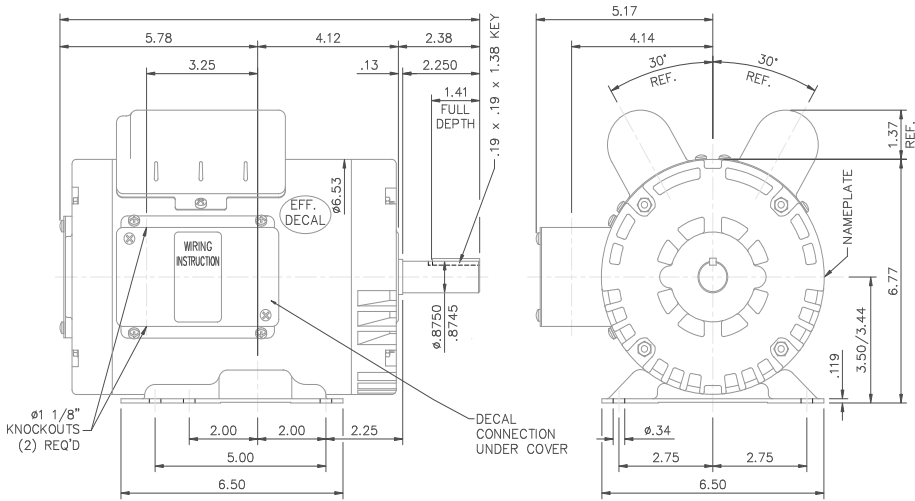
HP	RPM	VOLTS	FRAME	AMPS 230 V.	C DIMENSION	WT. LBS	LIST
1/3	1725	115/208-230	56	3.1	9.38	18	320.00 \$
1/2	1725	115/208-230	56	5.4	9.88	21	335.00 \$
3/4	1725	115/208-230	56	4.4	10.88	26	362.00 \$
1	1725	115/208-230	56	6.8	10.88	38	395.00 \$
1	1725	115/208-230	143T	6.8	11.13	38	395.00 \$
1.5	1725	115/208-230	56	9.5	11.88	45	432.00 \$
1.5	1725	115/208-230	145T	9.5	12.38	45	432.00 \$
2	1725	115/208-230	56	9.0 *	12.88	47	525.00 \$
2	1725	115/208-230	145T	9.0*	13.28	47	525.00 \$

(\*) CAPACITOR RUN

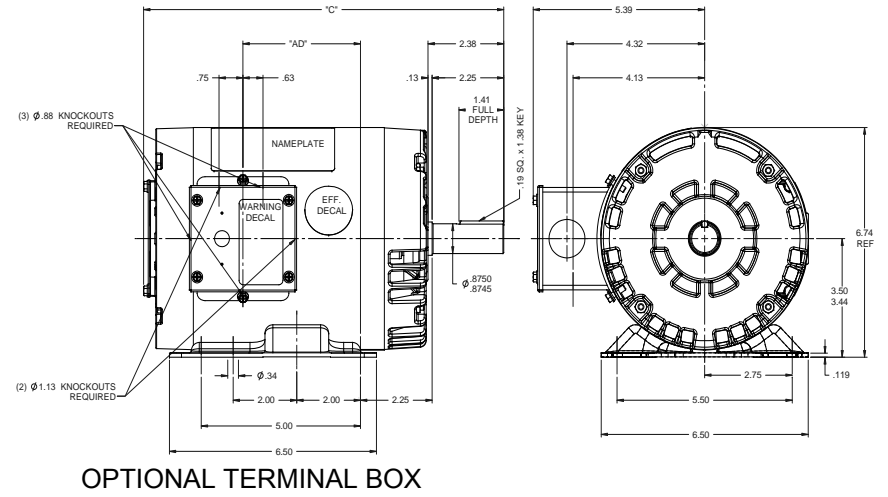
## THREE PHASE DRIP-PROOF MOTORS

HP	RPM	FRAME	AMPS 460 V.	AMPS 575 V.	C DIMENSION	WT. LBS	LIST
1/3	1725	56	0.75	0.6	9.38	18	275.00 \$
1/2	1725	56	1	0.8	9.88	21	285.00 \$
3/4	1725	56	1.4	1.1	10.88	26	298.00 \$
1	1725	56	1.8	1.4	10.88	38	310.00 \$
1	1725	143T	1.8	1.4	11.13	38	310.00 \$
1.5	1725	56	2.3	1.8	11.88	45	346.00 \$
1.5	1725	145T	2.3	1.8	12.38	45	346.00 \$
2	1725	56	3	2.4	12.88	47	405.00 \$
2	1725	145T	3	2.4	13.28	47	405.00 \$
3	1725	145T	3.6	2.9	13.5	54	699.00 \$

# SINGLE PHASE FRAME 143/5T

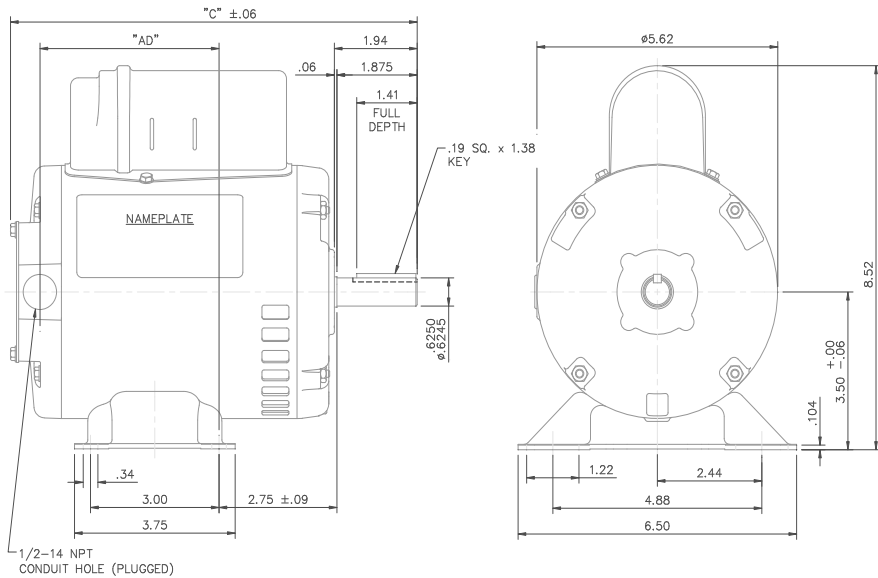


# THREE PHASES FRAME 143/5T

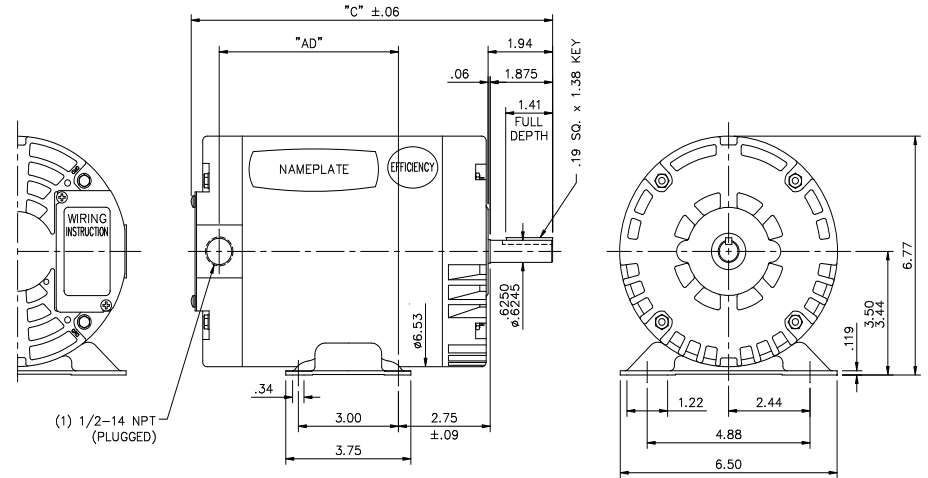


OPTIONAL TERMINAL BOX

# SINGLE PHASE FRAME 56



# THREE PHASES FRAME 56



(1) 1/2-14 NPT (PLUGGED)



