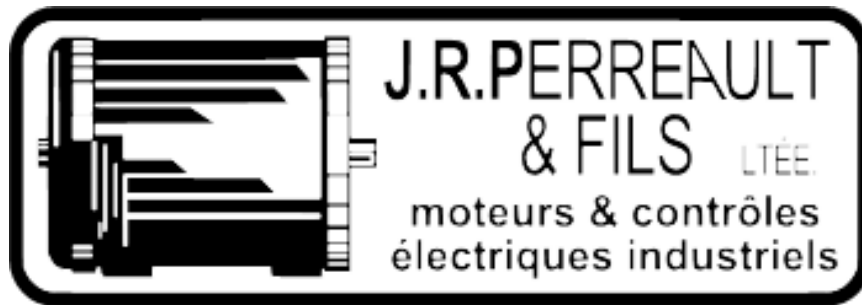


D.C. MOTORS



TELEPHONE: 1-800-463-0400
www.jrperreault.com

SHUNT WOUND



D.C. SHUNT WOUND MOTORS

MOTEURS DE CONSTRUCTION ABRITÉE ET PROTÉGÉE (IP23)
 PROVISION POUR VENTILATION FORCÉE ET TACHYMÈTRE
 STATOR CARRÉ EN ACIER MAGNÉTIQUE LAMINÉ UNIFORME
 PLAGE DE VARIATION DE VITESSE DE 50:1
 ISOLATION DE CLASSE F (155°C)
 MOTEUR DE CONCEPTION 'STABILIZED SHUNT'
 TEMPÉRATURE AMBIANTE MAXIMALE DE 40°C
 CAPACITÉ DE SURCHARGE OCCASIONNELLE JUSQU'À 150%

FULLY GUARED MOTOR CONSTRUCTION (IP23)
 PROVISION FOR FORCED VENTILATION AND TACHOMETER
 SINGLE PIECE LAMINATED SQUARE STATOR CORE
 50:1 SPEED RANGE
 INSULATION CLASS F (155°C)
 STABILIZED SHUNT WOUND MOTORS
 AMBIANT TEMPERATURE 40°C MAXIMUM
 OCCASIONNAL OVERLOAD CAPACITY UP TO 150%



TYPE	MODEL	VOLT CODE	HP	RPM	FRAME	ENCL	LISTE
DCSW-	Z4-112/2-2	XXX	5	1750	189ATCZ	DPFG	4 984.00 \$
DCSW-	Z4-112/4-1	XXX	7.5	1750	1810ATCZ	DPFG	4 635.00 \$
DCSW-	Z4-112/4-2	XXX	10	1750	1812ATCZ	DPFG	5 894.00 \$
DCSW-	Z4-132-1	XXX	15	1750	2110ATZ	DPFG	7 672.00 \$
DCSW-	Z4132-2	XXX	20	1750	2112ATZ	DPFG	8 449.00 \$
DCSW-	Z4-132-3	XXX	25	1750	2113ATZ	DPFG	9 716.00 \$
DCSW-	Z4-160-11	XXX	30	1750	2511ATZ	DPFG	11 473.00 \$
DCSW-	Z4-160-31	XXX	40	1750	2512ATZ	DPFG	14 672.00 \$
DCSW-	Z4-160-41	XXX	50	1750	2513ATZ	DPFG	15 995.00 \$
DCSW-	Z4-180-21	XXX	60	1750	2811ATZ	DPFG	17 962.00 \$
DCSW-	Z4-180-41	XXX	75	1750	2813ATZ	DPFG	21 063.00 \$
DCSW-	Z4-200-21	XXX	100	1750	3212ATZ	DPFG	25 270.00 \$
DCSW-	Z4-200-31	XXX	125	1750	3213ATZ	DPFG	26 677.00 \$
DCSW-	Z4-225-11	XXX	150	1750	3612ATZ	DPFG	28 630.00 \$
DCSW-	Z4-250-12	XXX	200	1750	4012ATZ	DPFG	37 898.00 \$
DCSW-	Z4-250-21	XXX	250	1750	4012ATZ	DPFG	40 138.00 \$
DCSW-	Z4-250-41	XXX	300	1750	4013ATZ	DPFG	44 905.00 \$
DCSW-	Z4-280-22	XXX	350	1750	4412ATZ	DPFG	56 420.00 \$
DCSW-	Z4-280-42	XXX	400	1750	4413ATZ	DPFG	58 380.00 \$
DCSW-	Z4-112/2-2	XXX	5	1750	189ATCZ	DPFG	4 984.00 \$
DCSW-	Z4-112/4-1	XXX	7.5	1750	1810ATCZ	DPFG	4 635.00 \$
DCSW-	Z4-112/4-2	XXX	10	1750	1812ATCZ	DPFG	5 894.00 \$
DCSW-	Z4-132-1	XXX	15	1750	2110ATZ	DPFG	7 672.00 \$
DCSW-	Z4132-2	XXX	20	1750	2112ATZ	DPFG	8 449.00 \$
DCSW-	Z4-132-3	XXX	25	1750	2113ATZ	DPFG	9 716.00 \$
DCSW-	Z4-160-11	XXX	30	1750	2511ATZ	DPFG	11 473.00 \$
DCSW-	Z4-160-31	XXX	40	1750	2512ATZ	DPFG	14 672.00 \$
DCSW-	Z4-160-41	XXX	50	1750	2513ATZ	DPFG	15 995.00 \$
DCSW-	Z4-180-21	XXX	60	1750	2811ATZ	DPFG	17 962.00 \$
DCSW-	Z4-180-41	XXX	75	1750	2813ATZ	DPFG	21 063.00 \$
DCSW-	Z4-200-21	XXX	100	1750	3212ATZ	DPFG	25 270.00 \$
DCSW-	Z4-200-31	XXX	125	1750	3213ATZ	DPFG	26 677.00 \$
DCSW-	Z4-225-11	XXX	150	1750	3612ATZ	DPFG	28 630.00 \$
DCSW-	Z4-250-12	XXX	200	1750	4012ATZ	DPFG	37 898.00 \$
DCSW-	Z4-250-21	XXX	250	1750	4012ATZ	DPFG	40 138.00 \$
DCSW-	Z4-250-41	XXX	300	1750	4013ATZ	DPFG	44 905.00 \$
DCSW-	Z4-280-22	XXX	350	1750	4412ATZ	DPFG	56 420.00 \$
DCSW-	Z4-280-42	XXX	400	1750	4413ATZ	DPFG	58 380.00 \$

TYPE	MODEL	VOLT CODE	HP	RPM	FRAME	ENCL	LISTE
DCSW-	Z4-112/2-2	1	5	1750	189ATCZ	DPFG	4 984.00 \$
DCSW-	Z4-112/2-2	2	5	1750	189ATCZ	DPFG	4 984.00 \$
DCSW-	Z4-112/4-1	2	7.5	1750	1810ATCZ	DPFG	4 635.00 \$
DCSW-	Z4-112/4-2	2	10	1750	1812ATCZ	DPFG	5 894.00 \$
DCSW-	Z4-132-1	2	15	1750	2110ATZ	DPFG	7 672.00 \$
DCSW-	Z4132-2	2	20	1750	2112ATZ	DPFG	8 449.00 \$
DCSW-	Z4-132-3	2	25	1750	2113ATZ	DPFG	9 716.00 \$
DCSW-	Z4-160-11	2	30	1750	2511ATZ	DPFG	11 473.00 \$
DCSW-	Z4-160-31	2	40	1750	2512ATZ	DPFG	14 672.00 \$
DCSW-	Z4-160-41	2	50	1750	2513ATZ	DPFG	15 995.00 \$
DCSW-	Z4-180-21	2	60	1750	2811ATZ	DPFG	17 962.00 \$

VOLT CODE:	
2-150	240 VDC ARM., 150 VDC FIELD
1-1X2	180 VDC ARM., 100/200 VDC FIELD

VOLT CODE:	
5-240	500 VDC ARM., 240 VDC FIELD
5-1X3	500 VDC ARM., 150/300 VDC FIELD

CODE:	DCSW
DISC:	

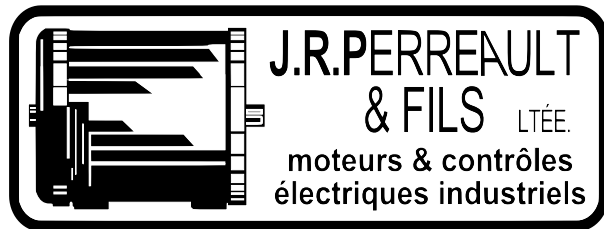
DIRECT CURRENT MOTORS SHUNT WOUND

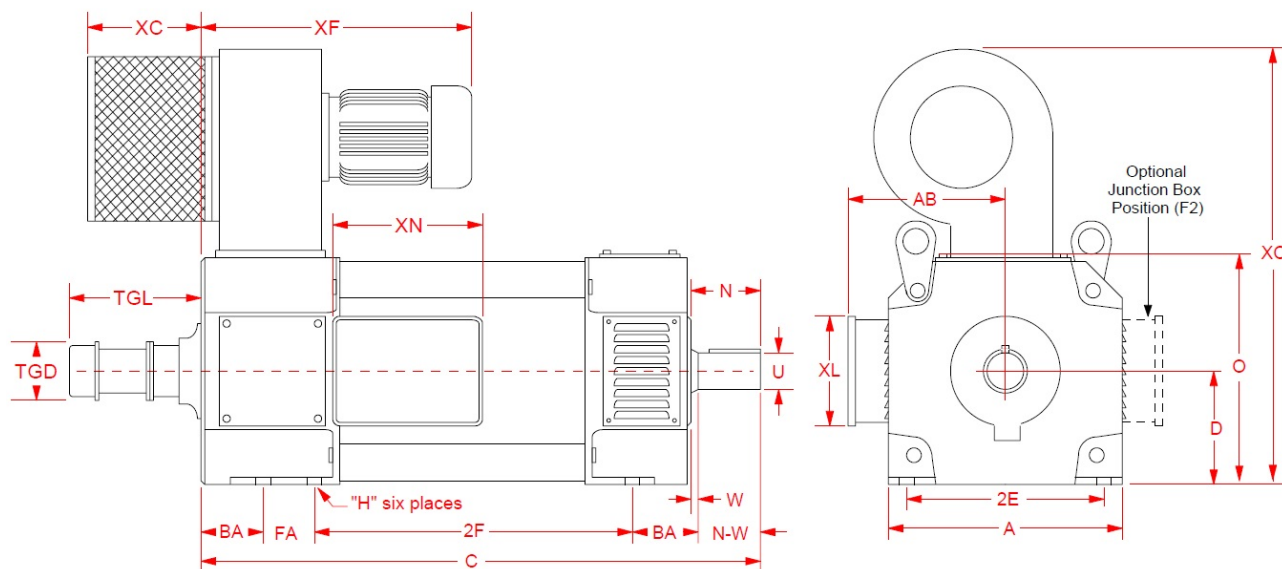
HP	KW	BASE SPEED	MAX. SAFE SPEED	ARM. VOLTS	ARM. CURRENT AMPS	FIELD VOLTS	TYPE	NEMA FRAME	FLD. POWER WATTS	ARM. RES. OHMS @ 20°C	ARM. CIRCUIT INDUCTANCE Mh	FLD. INDUCTANCE H	EFF. %	wt. Kg
----	----	------------	-----------------	------------	-------------------	-------------	------	------------	------------------	-----------------------	----------------------------	-------------------	--------	--------

400	300	1750	2200	500	655	240 OR 150/300	Z4-280-42	4413ATZ	3600	0.02545	0.96	5.29	91.1	1700
350	260	1750	2200	500	566	240 OR 150/300	Z4-280-22	4412ATZ	3500	0.01796	0.77	5.3	92.1	1550
300	225	1750	2500	500	488	240 OR 150/300	Z4-250-41	4013ATZ	3000	0.0237	0.93	6.19	91.7	1180
250	185	1750	2500	500	412	240 OR 150/300	Z4-250-21	4012ATZ	2750	0.0325	0.091	4.28	90.5	970
200	150	1750	2500	500	331	240 OR 150/300	Z4-250-12	4012ATZ	2500	0.0444	1.3	4.29	89.9	890
150	112	1750	2500	500	250	240 OR 150/300	Z4-225-11	3612ATZ	2300	0.0664	2.1	4.45	89.4	680
125	93	1750	2500	500	207	240 OR 150/300	Z4-200-31	3213ATZ	1500	0.0771	2.6	5.61	90	530
100	75	1750	2500	500	166.5	240 OR 150/300	Z4-200-21	3212ATZ	1500	0.0885	2.8	6.78	89.6	530
75	56	1750	2500	500	127.6	240 OR 150/300	Z4-180-41	2813ATZ	1700	0.1417	3.2	5.7	87.7	410
60	45	1750	2500	500	102.9	240 OR 150/300	Z4-180-21	2811ATZ	1400	0.2125	4.65	6.6	87	350
50	37.5	1750	2500	500	86.3	240 OR 150/300	Z4-160-41	2513ATZ	1050	0.29	5.8	7.1	86.5	268
40	30	1750	2500	500	69.6	240 OR 150/300	Z4-160-31	2512ATZ	1050	0.376	8.3	10	85.7	268
30	22.5	1750	2500	500	54.2	240 OR 150/300	Z4-160-11	2511ATZ	820	0.593	10.4	7.7	82.6	220
25	18.5	1750	2500	500	44	240 OR 150/300	Z4-132-3	2113ATZ	800	0.531	9.8	6.6	84.7	180
20	15	1750	2500	500	35.8	240 OR 150/300	Z4-132-2	2112ATZ	730	0.811	13.5	7.7	83.4	160
15	11.5	1750	2500	500	27.7	240 OR 150/300	Z4-132-1	2110ATZ	650	1.309	18.9	8.9	80.9	140
10	7.5	1750	2500	500	19	240 OR 150/300	Z4-112/4-2	1812ATCZ	570	2.12	24.1	7.8	78.4	114
7.5	5.6	1750	2500	500	14.7	240 OR 150/300	Z4-112/4-1	1810ATCZ	500	3.01	30.5	6.8	75.7	107
5	3.7	1750	2500	500	9.8	240 OR 150/300	Z4-112/2-2	189ATCZ	350	4.24	48.5	19	76	107

15	11.5	1750	2500	240	57.6	150	Z4-132-1	2110ATZ	650	1.309	18.9	8.9	80.9	140
10	7.5	1750	2500	240	39.6	150	Z4-112/4-2	1812ATCZ	570	2.12	24.1	7.8	78.4	114
7.5	5.6	1750	2500	240	30.7	150	Z4-112/4-1	1810ATCZ	500	3.01	30.5	6.8	75.7	106
5	3.7	1750	2500	240	21.3	150	Z4-112/2-1	189ATCZ	320	6	59	17	72.8	100

field voltage = watts/field volt





Frame	A	AB	BA	C	D	2E	2F	H	N-W	W	O	U	key	TYPE	Weight LBS
1810ATCZ	10.03	7.950	2.75	21.417	4.5	7.50	11.00	0.59	2.75	0.14	9	1.125	1/4 x 1/4	Z4-112/2-1	225
1812ATCZ	10.03	7.950	2.75	22.598	4.5	7.50	14.00	0.59	2.75	0.14	9	1.125	1/4 x 1/4	Z4-112/2-2	240
2110ATZ	11.614	9.448	3.5	24.37	5.25	8.50	12.00	0.59	3.375	0.14	10.5	1.375	5/16 x 5/16	Z4-132-1	314
2112ATZ	10.614	9.448	3.5	26.338	5.25	8.50	16.00	0.59	3.375	0.15	10.5	1.375	5/16 x 5/16	Z4-132/2	359
2113ATZ	10.614	9.448	3.5	28.700	5.25	8.50	18.00	0.59	3.375	0.15	10.5	1.375	5/16 x 5/16	Z4-132/3	404
2511AT	13.625	11.141	4.25	29.291	6.25	10.00	14.00	0.75	3.25	0.16	12.5	2.125	1/2 x 1/2	Z4-160/11	494
2512AT	13.625	11.141	4.25	32.834	6.25	10.00	20.00	0.75	3.25	0.16	12.5	2.125	1/2 x 1/2	Z4-160/31	602
2811AT	15.375	12.00	4.75	31.259	7	11.00	15.25	0.75	3.75	0.16	14	2.375	5/8 x 5/8	Z4-180/11	612
2812AT	15.375	12.00	4.75	32.834	7	11.00	22.00	0.75	3.75	0.16	14	2.375	5/8 x 5/8	Z4-180/21	786
2813AT	15.375	12.00	4.75	37.165	7	11.00	25.00	0.75	3.75	0.16	14	2.375	5/8 x 5/8	Z4-180/41	920
3212AT	16.929	14.00	5.875	40.039	8	12.50	21.10	0.75	4.25	0.16	16.0	2.625	5/8 x 5/8	Z4-200/21	1190
3214AT	16.929	14.00	5.875	43.188	8	12.50	32.00	0.75	4.25	0.16	16.0	2.625	5/8 x 5/8	Z4-200/31	1302
3611AT	18.625	15.625	5.875	44.881	9	14.00	21.00	0.75	4.75	0.17	18	2.875	3/4 x 3/4	Z4-225/11	1527
3612AT	18.625	15.625	5.88	44.881	9	14.00	28.00	0.75	4.75	0.17	18	2.875	3/4 x 3/4	Z4-225/11	1628
4011AT	19.292	17.00	6.25	50.590	10	16.00	28.00	0.94	6.25	0.17	20	3.625	7/8 x 7/8	Z4-250/12	1998
4012AT	19.292	17.00	6.25	50.590	10	16.00	30.00	0.94	6.25	0.17	20	3.625	7/8 x 7/8	Z4-250/12	2077
4013AT	19.292	17.00	6.25	55.315	10	16.00	36.00	0.94	6.25	0.17	20	3.625	7/8 x 7/8	Z4-250/41	2649
4014AT	19.292	17.00	6.25	57.677	10	16.00	38.00	0.94	6.25	0.17	20	3.625	7/8 x 7/8	Z4-250/42	2649
4411AT	21.625	18.250	7.50	55.315	11	18.00	30.00	0.94	7.25	0.37	22	3.625	7/8 x 7/8	Z4-280/12	2874
4412AT	21.625	18.250	7.50	57.677	11	18.00	36.00	0.94	7.25	0.37	22	3.625	7/8 x 7/8	Z4-280/22	3143
4413AT	21.625	18.250	7.50	65.582	11	18.00	40.00	0.94	7.25	0.37	22	3.625	7/8 x 7/8	Z4-280/42	3817
4415AT	21.625	18.250	7.48	67.125	11	18.00	46.00	0.94	7.25	0.37	22	3.625	7/8 x 7/8	Z4-280/52	4378
5011AT	25.750	19.625	8.5	63.858	12.5	20.00	36.00	0.94	8.25	0.37	25	3.875	1 x 1	Z4-315/12	4827

