

SAW ARBOR ELECTRIC MOTOR

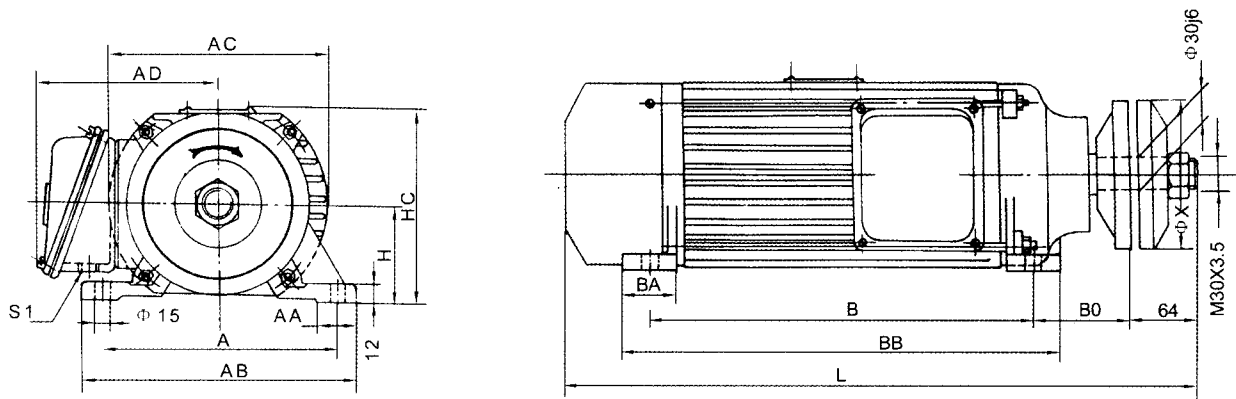


- ★ CAST IRON FRAME (OR ALUMINUM FRAME ON REQUEST)
- ★ IEC OR NEMA FRAME AVAILABLE
- ★ IP54,IP44
- ★ B CLASS INSULATION
- ★ DOUBLE SPEED AVAILABLE, 4POLE, 6POLE AVAILABLE
- ★ DOUBLE OUTPUT SHAFT AVAILABLE
- ★ HIGH EFFICIENCY AVAILABLE
- ★ 575V OR 600V,220V/380V,230V/460V ON REQUEST

- ★ 60HZ,50HZ.
- ★ LOW NOISE AND VIBRATION WITH HIGH QUALITY BALL BEARINGS
- ★ ISO9000 CERTIFIED

Performance Data

| MODEL | RATED POWER | | FULL-LOAD | | | | | BREAK DOWN CURRENT | BREAK DOWN TORQUE | MAX TORQUE | WEIGHT (CAST IRON) kg |
|----------|-------------|-----|---------------|-------------|-------------|----------|---------------|--------------------------|-------------------------|-------------------------|-----------------------|
| | KW | HP | SPEED (r/min) | VOLTAGE (V) | CURRENT (A) | EFF. (%) | FACTOR (COSΦ) | FULLLOAD CURRENT (times) | FULLLOAD TORQUE (times) | FULLLOAD TORQUE (times) | |
| YCM80S-2 | 2.2 | 3 | 3430 | 575 | 3.2 | 82.5 | 0.87 | 7.5 | 2.5 | 2.8 | 34 |
| YCM80M-2 | 3 | 4 | 3445 | 575 | 4.2 | 83.5 | 0.87 | 8 | 2.5 | 2.8 | 42 |
| YCM90S-2 | 4 | 5.5 | 3445 | 575 | 5.4 | 85 | 0.89 | 8 | 2.5 | 2.8 | 50 |
| YCM90M-2 | 5.5 | 7.5 | 3460 | 575 | 7.1 | 86 | 0.89 | 8 | 2.4 | 2.8 | 61 |
| YCM90L-2 | 7.5 | 10 | 3460 | 575 | 9.6 | 87 | 0.89 | 8 | 2.4 | 2.8 | 70 |



DIMENSION IN METRIC

| MODEL | A | AA | AB | AC | AD | B | BA | BB | H | HC | L | S1 | X |
|----------|-----|----|-----|-----|-----|-----|----|-----|----|-----|-----|------|-----|
| YCM80S-2 | 190 | 35 | 225 | 190 | 148 | 260 | 45 | 305 | 80 | 157 | 471 | Pg21 | 120 |
| YCM80M-2 | 190 | 35 | 225 | 190 | 148 | 295 | 45 | 340 | 80 | 157 | 506 | Pg21 | 120 |
| YCM90S-2 | 190 | 63 | 225 | 216 | 170 | 260 | 62 | 305 | 90 | 177 | 471 | Pg21 | 160 |
| YCM90M-2 | 190 | 63 | 225 | 216 | 170 | 295 | 62 | 340 | 90 | 177 | 506 | Pg21 | 160 |
| YCM90L-2 | 190 | 63 | 225 | 216 | 170 | 510 | 62 | 543 | 90 | 177 | 670 | Pg21 | 160 |

MOTOR SPEED AND SAW DIAMETER

| SAW DIAMETER WITH RESPECT TO THE LUMBER TYPE AND SPEED TO BE USED | | | |
|--|---------------------------|------------------------|-------------------------|
| HARD METAL SAWS | | | |
| MATERIAL | CUTTING SPEED(m/s) | SAW DIAMETER | |
| | | Speed-3000 rpm | Speed-1500 rpm |
| Soft or hard lumber | 60-90 | 300-500mm-12-20 inches | 600-1000mm-24-40 inches |
| Processed and pressed lumber | 60-80 | 300-450mm-12-18 inches | 600-900mm-24-36 inches |
| Normal Plywood | 60-80 | 300-450mm-12-18 inches | 600-900mm-24-36 inches |
| Soft or hard lumber(cross-cut) | 40-50 | 200-250mm-8-10 inches | 400-500mm-16-20 inches |
| Plywood(highly compressed) | 35-50 | 180-250mm-7-10 inches | 350-500mm-14-20 inches |
| Very hard lumber(peroba,jacaranda,etc.) | 35-45 | 180-250mm-7-10 inches | 350-500mm-14-20 inches |
| Pressed wood(chipboard and fibre sheets) | 35-45 | 180-250mm-7-10 inches | 350-500mm-14-20 inches |
| Decorative laminates(formica,etc.) | 35-40 | 180-200mm-7-8 inches | 350-400mm-14-16 inches |
| CARBON STEEL SAWS | | | |
| MATERIAL | CUTTING SPEED(m/s) | SAW DIAMETER | |
| | | Rotation-3000 rpm | Rotation-1500 rpm |
| Lumber in general | 55-73 | 300-400mm-12-16 inches | 600-800mm-24-32 inches |