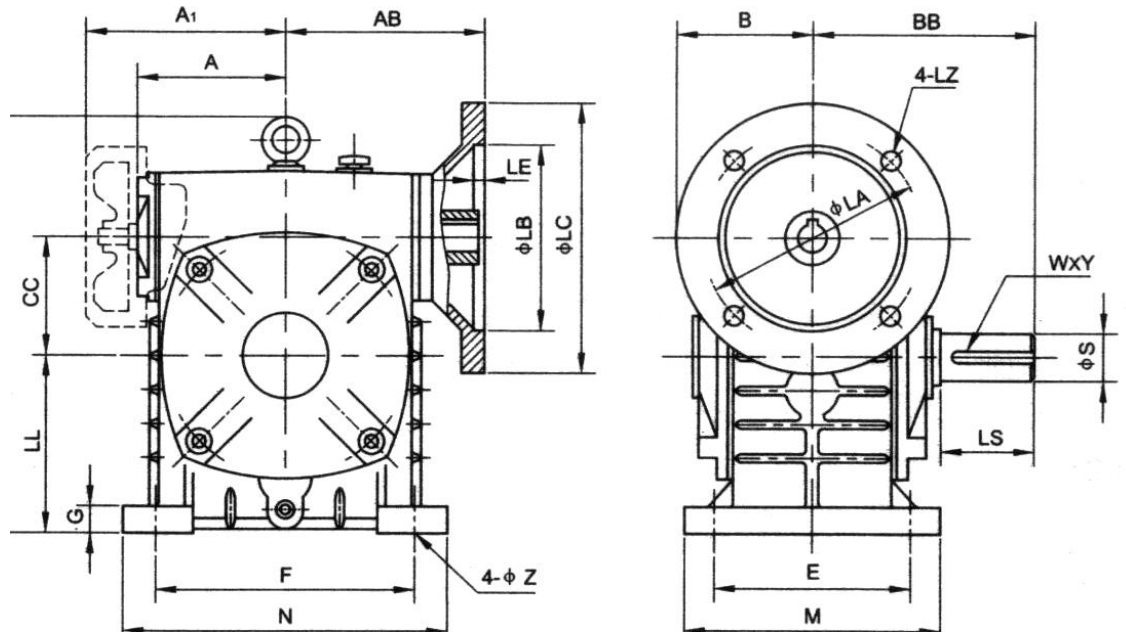


WPDS



NEMA Frame	LA	LB	LC	LE	LZ	Input	
						Bore	Keyway
56C	5.875	4.50	6.50	0.16	0.43	0.625	3/16 3/32
143TC/145TC	5.875	4.50	6.50	0.16	0.43	0.875	3/16 3/32
182TC/184TC	7.250	8.50	9.00	0.23	0.55	1.125	1/4 1/8
213TC/215TC	7.250	8.50	9.00	0.23	0.55	1.375	5/16 5/32
254TC/256TC	7.250	8.50	10.00	0.23	0.55	1.625	3/8 3/16

Size	Ratio	A	A ₁	AB	BB	CC	E	F	M	N	H	HL	LL	G	Z	Output Shaft			NEMA Frame	LS	W x Y
																S					
60	5:1 10:1	3.09		4.43	4.33	2.362	4.13	4.72	5.12	5.91	8.07	5.91	3.54	0.75	0.43	1.000	1.97	1/4- 1/8	56C- 140TC		
70		3.76		4.63	5.12	2.756	4.53	5.91	5.91	7.48	9.25	6.89	4.13	0.87	0.59	1.125	2.36	1/4 1/8	56C 140TC		
80	15:1	4.11		5.84	5.51	3.150	5.31	7.09	6.69	8.66	10.43	7.87	4.72	0.87	0.59	1.375	2.56	5/16	56C 140TC 180TC		
100		4.78		6.51	6.10	3.937	6.10	8.66	7.48	10.24	12.87	9.84	5.91	0.98	0.59	1.500	2.95	3/8 3/16	56C 140TC 180TC		
120	30:1	6.10	8.26	7.48	7.28	4.724	7.09	10.24	9.06	12.60	15.28	11.81	7.09	1.18	0.71	1.750	3.35	3/8- 3/16	180TC 210TC		
135	40:1	6.89	9.06	8.32	8.27	5.315	7.87	11.42	9.84	13.78	17.52	13.78	8.46	1.18	0.71	2.250	3.74	1/2 1/4	180TC 210TC		
155	50:1 60:1	7.64	10.2	9.35	9.92	6.102	8.66	12.60	11.02	15.35	19.02	15.35	9.25	1.38	0.79	2.500	4.33	5/8- 5/16	180TC 210TC		
175		8.78	11.4	11.02	10.31	6.890	9.84	13.78	12.20	16.93	21.26	17.13	10.24	1.46	0.79	2.750	4.33	5/8 5/16	180TC 210TC 250TC		