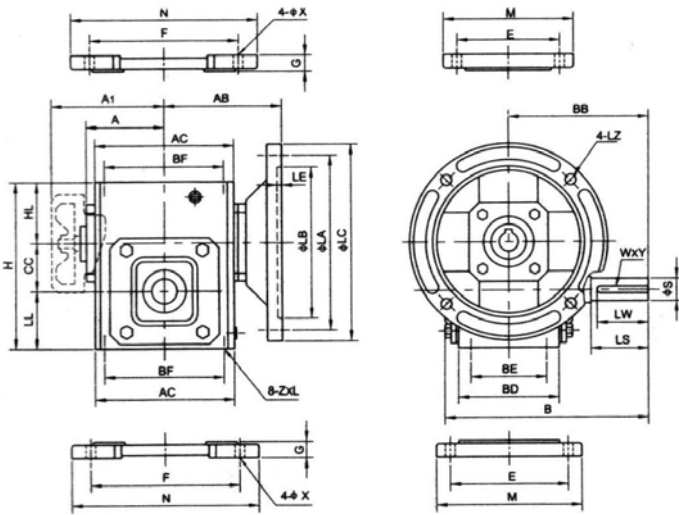


# BHMA



NEMA Frame	LA	LB	LC	LE	LZ	Input	
						Bore	Keyway
56C	5.875	4.50	6.50	0.16	0.43	0.625	3/16 3/32
143TC/145TC	5.875	4.50	6.50	0.16	0.43	0.875	3/16 3/32
182TC/184TC	7.250	8.50	9.00	0.23	0.55	1.125	1/4 1/8
213TC/215TC	7.250	8.50	9.00	0.23	0.55	1.375	5/16 5/32

Size	Ratio	A	A	AB	AC	B	BB	BD	BE	BF	CC	H	NEMA Frame
133	5:1	2.12		3.96	4.00	6.03	4.00	2.88	2.00	3.25	1.333	4.66	56C
154		2.75		4.50	5.13	6.76	4.31	3.69	2.75	4.19	1.540	5.38	56C
175		2.75		4.37	4.81	6.75	4.31	3.38	2.75	4.19	1.750	5.75	56C
206		3.00		4.76	5.50	7.25	4.69	3.75	2.88	5.00	2.062	6.38	56C
237		3.56		5.10	6.13	7.78	5.08	4.06	2.88	5.00	2.375	6.94	56C 140TC
262	10:1	3.69		5.69	7.12	8.50	5.63	4.44	3.38	6.38	2.625	8.00	56C 140TC 180TC
300	15:1 20:1	4.50	5.93	5.67	8.50	10.25	6.75	5.50	4.00	7.00	3.000	8.88	56C 140TC
				6.45									180TC
325	30:1 40:1	4.50	5.93	5.69	8.50	10.50	7.06	5.00	4.00	7.50	3.250	8.38	56C 140TC
				6.47									180TC
375	50:1 60:1	5.75	7.42	6.01	9.50	11.88	7.75	6.38	4.75	8.50	3.750	10.44	56C 140TC
				6.79									180TC 210TC
450		5.63	8.11	6.69	10.88	13.16	8.44	7.38	5.81	9.56	4.500	11.94	140TC
				7.47									180TC 210TC
516		6.44	8.92	8.28	12.50	13.91	9.06	7.38	5.81	11.00	5.167	13.75	180TC 210TC
600		7.44	10.70	9.68	14.50	15.31	10.00	8.13	6.38	12.75	6.000	16.50	180TC 210TC

Size	HL	LL	Z	L	Output Shaft				With Horizontal Base					
					S	LS	W x Y	LW	E	F	M	N	G	X
133	1.61	1.72	5/16-18	0.50	0.625	2.00	3/16 3/32	1.31	3.31	4.38	4.19	5.38	0.53	0.34
154	1.92	1.91	5/16-18	0.50	0.750	1.78	3/16 3/32	0.88	4.31	5.25	5.44	6.44	0.59	0.41
175	1.94	2.06	5/16-18	0.60	0.875	1.88	3/16 3/32	1.00	4.50	5.75	5.56	7.00	0.69	0.41
206	2.04	2.28	3/8-16	0.60	1.000	2.00	1/4 1/8	1.75	4.69	6.38	5.76	7.69	0.72	0.47
237	2.07	2.50	3/8-16	0.60	1.125	2.37	1/4 1/8	1.38	4.88	7.06	6.19	8.50	0.75	0.47
262	2.44	2.94	3/8-16	0.60	1.125	2.50	1/4 1/8	2.00	5.25	8.00	6.50	9.25	0.75	0.53
300	2.63	3.25	7/16-14	0.80	1.250	3.25	1/4 1/8	2.25	5.88	8.44	7.36	10.16	0.88	0.53
325	2.63	3.50	7/16-14	0.80	1.375	3.25	5/16 5/32	2.41	6.13	9.50	7.75	11.12	0.88	0.53
375	2.81	3.88	1/2-13	1.00	1.625	3.50	3/8 3/16	2.19	7.00	10.38	8.63	13.00	0.94	0.59
450	2.94	4.50	5/8-11	1.00	1.625	3.66	3/8 3/16	2.50	7.63	12.13	9.33	13.88	1.13	0.66
516	3.28	5.31	5/8-11	1.00	2.000	4.16	1/2 1/4	2.81	8.38	14.13	10.38	16.38	1.13	0.78
600	4.00	6.50	5/8-11	1.00	2.250	4.56	1/2 1/4	3.38	9.50	16.50	12.00	19.00	1.25	0.91