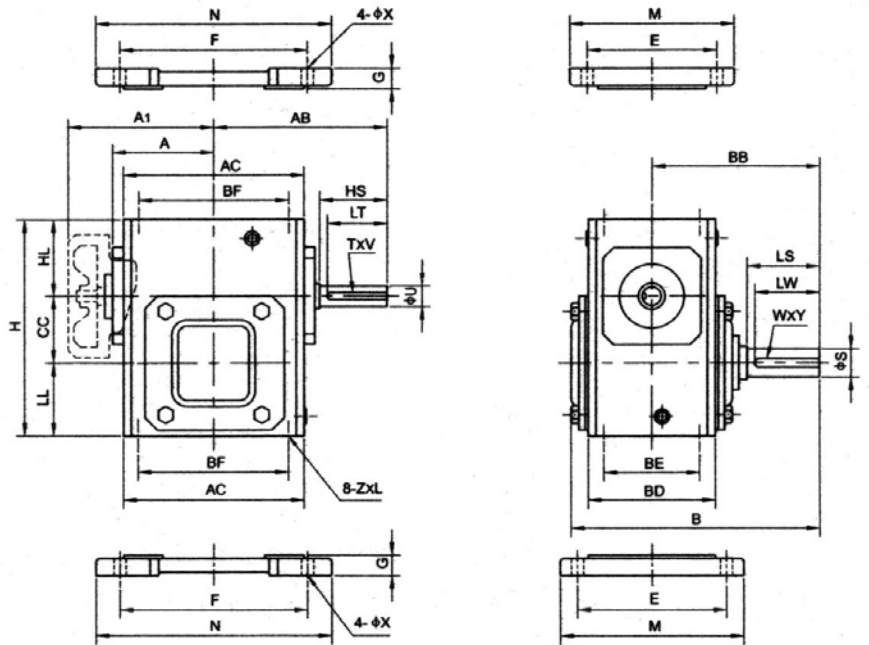


BHA



Size	Ratio	A	A	AB	AC	B	BB	BD	BE	BF	CC	H	HL	LL	Z	L	
133	5:1	2.12		4.03	4.00	6.03	4.00	2.88	2.00	3.25	1.333	4.66	1.61	1.72	5/16-18	0.50	
154		2.75		4.69	5.13	6.76	4.31	3.69	2.75	4.19	1.540	5.38	1.92	1.91	5/16-18	0.50	
175		2.75		4.69	4.81	6.75	4.31	3.38	2.75	4.19	1.750	5.75	1.94	2.06	5/16-18	0.60	
206		10:1	3.00		5.06	5.50	7.25	4.69	3.75	2.88	5.00	2.062	6.38	2.04	2.28	3/8-16	0.60
237		15:1	3.56		5.44	6.13	7.78	5.08	4.06	2.88	5.00	2.375	6.94	2.07	2.50	3/8-16	0.60
262		20:1	3.69		6.23	7.12	8.50	5.63	4.44	3.38	6.38	2.625	8.00	2.44	2.94	3/8-16	0.60
300		30:1	4.50	5.93	7.00	8.50	10.25	6.75	5.50	4.00	7.00	3.000	8.88	2.63	3.25	7/16-14	0.80
325		40:1	4.50	5.93	7.06	8.50	10.50	7.06	5.00	4.00	7.50	3.250	9.38	2.63	3.50	7/16-14	0.80
375		50:1	5.75	7.42	8.36	9.50	11.88	7.75	6.38	4.75	8.50	3.750	10.44	2.81	3.88	1/2-13	1.00
450		60:1	5.63	8.11	9.59	10.88	13.16	8.44	7.38	5.81	9.56	4.500	11.94	2.94	4.50	5/8-11	1.00
516		6.44	8.92	10.69	12.50	13.91	9.06	7.38	5.81	11.00	5.167	13.75	3.28	5.31	5/8-11	1.00	
600		7.44	10.70	11.75	14.50	15.31	10.00	8.13	6.38	12.75	6.000	16.50	4.00	6.50	5/8-11	1.00	

Size	Input Shaft				Output Shaft				With Horizontal Base					
	U	HS	T x V	LT	S	LS	W x Y	LW	E	F	M	N	G	X
133	0.500	1.81	1/8 1/16	1.38	0.625	2.00	3/16 3/32	1.31	3.31	4.38	4.19	5.38	0.53	0.34
154	0.625	1.69	3/16 3/32	0.94	0.750	1.78	3/16 3/32	0.88	4.31	5.25	5.44	6.44	0.59	0.41
175	0.625	1.81	3/16 3/32	1.50	0.875	1.88	3/16 3/32	1.00	4.50	5.75	5.56	7.00	0.69	0.41
206	0.625	1.81	3/16 3/32	1.50	1.000	2.00	1/4 1/8	1.75	4.69	6.38	5.76	7.69	0.72	0.47
237	0.750	1.94	3/16 3/32	1.31	1.125	2.37	1/4 1/8	1.38	4.88	7.06	6.19	8.50	0.75	0.47
262	0.750	2.31	3/16 3/32	1.88	1.125	2.50	1/4 1/8	2.00	5.25	8.00	6.50	9.25	0.75	0.53
300	0.875	2.26	3/16 3/32	1.31	1.250	3.25	1/4 1/8	2.25	5.88	8.44	7.36	10.16	0.88	0.53
325	0.875	2.31	3/16 3/32	1.65	1.375	3.25	5/16 5/32	2.41	6.13	9.50	7.75	11.12	0.88	0.53
375	1.000	2.91	1/4 1/8	1.75	1.625	3.50	3/8 3/16	2.19	7.00	10.38	8.63	12.00	0.94	0.59
450	1.125	3.45	1/4 1/8	2.50	1.625	3.66	3/8 3/16	2.50	7.63	12.13	9.33	13.88	1.13	0.66
516	1.250	3.75	1/4 1/8	2.56	2.000	4.16	1/2 1/4	2.81	8.38	14.13	10.38	16.38	1.13	0.78
600	1.500	3.75	3/8 3/16	2.94	2.250	4.56	1/2 1/4	3.38	9.50	16.50	12.00	19.00	1.25	0.91