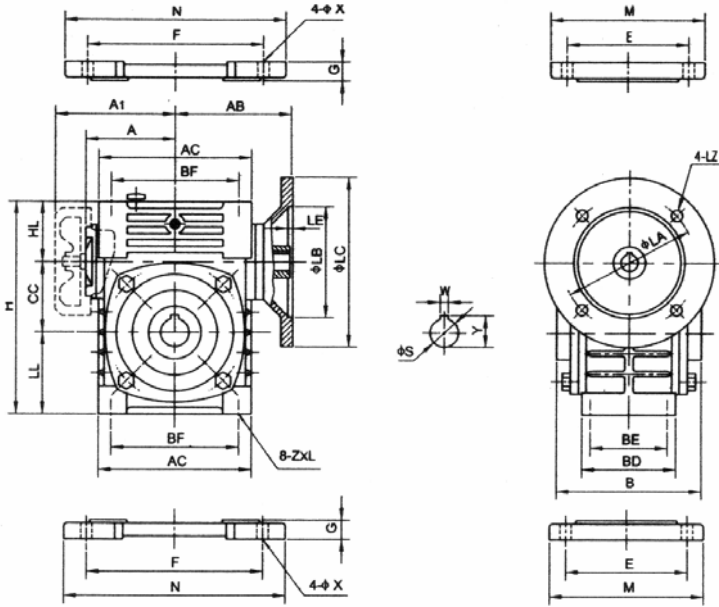


BHHM



NEMA Frame	LA	LB	LC	LE	LZ	Input	
						Bore	Keyway
56C	5.875	4.50	6.50	0.16	0.43	0.625	3/16 3/32
143TC/145TC	5.875	4.50	6.50	0.16	0.43	0.875	3/16 3/32
182TC/184TC	7.250	8.50	9.00	0.23	0.55	1.125	1/4 1/8
213TC/215TC	7.250	8.50	9.00	0.23	0.55	1.375	5/16 5/32
254TC/256TC	7.250	8.50	10.00	0.23	0.55	1.625	3/8 3/16

Size	Ratio	A	A	AB	AC	B	BD	BE	BF	CC	H	HL	LL	Z	L
40	5:1	2.58		3.92	3.94	4.02	2.68	2.13	3.15	1.575	5.00	1.34	2.09	5/16-18	0.63
50	10:1	2.85		4.19	4.48	4.21	2.72	1.97	3.54	1.969	5.91	1.38	2.56	5/16-18	0.63
60	15:1	3.15		4.43	5.00	4.61	2.99	2.13	3.94	2.362	6.97	1.65	2.95	3/8-16	0.75
63	20:1	3.37		4.67	5.51	5.04	3.46	2.69	4.87	2.480	7.32	1.89	2.95	3/8-16	0.75
70	30:1	3.76		4.63	6.10	5.16	3.31	2.56	4.92	2.756	8.46	2.16	3.54	3/8-16	0.75
80	40:1	4.11		5.84	6.69	5.67	3.94	2.76	5.51	3.150	9.84	2.56	4.13	3/8-16	0.75
100	50:1	4.78		6.51	8.03	6.89	4.49	3.54	7.09	3.937	12.20	3.15	5.12	1/2-13	0.94
120	60:1	6.10	8.26	7.48	10.24	7.87	5.04	3.94	8.66	4.724	14.57	3.74	6.10	1/2-13	0.94
135		6.89	9.06	8.32	11.65	8.35	5.91	4.33	10.24	5.315	16.73	4.13	7.28	5/8-11	1.13
155		7.64	10.24	9.35	12.99	12.28	6.69	4.72	11.02	6.102	18.15	4.05	7.99	5/8-11	1.13
175		8.78	11.42	11.02	14.57	13.15	7.32	5.51	12.60	6.890	20.51	4.84	8.78	3/4-10	1.38

Size	Output Shaft			With Horizontal Base						NEMA Frame
	S	W	Y	E	F	M	N	G	X	56C
40	0.625	3/16	0.71	3.54	3.94	4.33	4.92	0.51	0.39	56C 140TC
50	0.750	3/16	0.84	3.74	4.33	4.72	5.51	0.59	0.43	56C 140TC
60	1.125	1/4	1.24	4.13	4.72	5.12	5.91	0.71	0.43	56C 140TC
63	1.000	1/4	1.24	4.33	5.91	5.51	7.09	0.71	0.43	56C 140TC
70	1.250	1/4	1.37	4.53	5.91	5.91	7.48	0.71	0.59	56C 140TC 180TC
80	1.375	5/16	1.52	5.31	7.09	6.69	8.66	0.71	0.59	56C 140TC 180TC
100	1.500	3/8	1.67	6.10	8.66	7.48	10.63	0.79	0.59	180TC 210TC
120	1.750	3/8	1.92	7.09	10.24	9.06	12.60	0.98	0.71	180TC 210TC
135	2.250	1/2	2.48	7.87	11.42	9.84	13.78	1.18	0.71	180TC 210TC
155	2.500	5/8	2.78	8.66	12.60	11.02	14.96	1.26	0.79	180TC 210TC
175	2.750	5/8	3.03	9.84	13.78	12.20	16.14	1.46	0.79	180TC 210TC 250TC