

This catalogue covers general purpose industrial motors,
And crusher duty motors
produced by Cantoni Group.

Our brand names are known as both Cantoni Motor (CC045A) and Elektrim (CC025A).

Cantoni Group manufactures variety of electric motors and drives within the range 40 Watts up to 3 Megawatts which are applied by both OEM's and end users and distributed throughout the world.

Our motors are designed for long life and reliable operation in severe industrial applications.

These motors are tough and stand up to the dirtiest, dustiest and most severe conditions.

Our general purpose motors are suitable for the most stringent applications that require high starting torque.

Most of our motors are energy efficient for money saving operation, which is testified by Compliance Certification Number issued by the U.S. Department of Energy.

Especially our crusher duty motors are designed as extra tough.

American customers know our products for more than 20 years.

Our experience in motor manufacturing is much longer - exceeds 100 years.

Our motors have severe duty mechanical and electrical features for longer life and durability in harsh environment such as strengthened cast iron frame, junction box and fan guard for protection from falling rocks or other products, high starting and breakdown torque for stall performance.

So we deliver more than motors...

...DOE Compliance Certification...

... ISO 9001 Certified Environment ...

...European Quality...

...Enduring Value...

...Reliable Construction....



As part of our development program, we reserve the right to alter or amend any of the specifications included in this catalog without giving prior notice.

General purpose, 60Hz, TEFC, 3-phase NEMA motors from 0,8HP thru 500 HP

FEATURES AND BENEFITS

frames 143T thru 286T	frames 324T thru 447T	frames 447T thru 587 crusher duty motors
high locked rotor torque		
rigid cast iron frame	rigid cast iron frame (200 grade)	
	cast iron end brackets	
	bases suitable for different frames mounting (additional mounting holes)	
		reinforced shaft - 4140 steel
F1 assembly, convertible to F2 (except frames 586 and 587)		
thermistors as an option	thermistors as standard	thermistors and space heaters as standard
dual voltage 230/460V or 575V, usable at 208 V	dual voltage 230/460V or 575V, usable at 208 V (for output higher than 125 HP usable at 460V or 575V only)	single voltage 460V or 575 V
VFD capability 5:1 with constant torque, 10:1 with variable torque		
stainless steel nameplate with both 50 and 60 Hz performance provides permanent identification		
junction box		
turning possibility of junction box : 4x 90°		
aluminum boxes, cast iron boxes are available as an option	cast iron boxes	
tapped inlets for fastening cable pipes		
		oversized junction box
enclosures		
totally enclosed fan cooled (TEFC)		
degree of protection IP 55 (according to IEC 60034-5) IP 56 as an option		
fan		
bi-directional fans		
steel fan guard cast iron fan guard as an option		cast iron fan guard
insulation		
non hygroscopic class F insulation with class B rise (class H on request)		
inverter-rated insulation (to meet the MG1 Part 31 specification)		
VPI process applied		
		586, 587 frames - formed-coil stator windings
bearings		
oversized double-shielded bearings	oversized regreasable bearings	
		roller bearing on DE side (ball bearing as an option, except 449T design B)

APPLICATION

The motors can be used for driving pumps, fans, compressors, material handling and other general purpose applications, in damp, dusty or hostile environments. Motors are designed for direct on line (DOL), wye/delta and part winding (PWS) starting. Outstanding versatility in applications with different voltages (380V, 415V, 575V) and 50Hz frequency with excellent performance data.

STANDARDS



The motors comply with NEMA and CSA standards:

MG1-1998
C390-98
IEEE Std 112-1996
C22.2 No.100-2000
UL 1004-2001

Motors are marked in terms of safety by CE and CSA (for applicable US and Canadian standards).

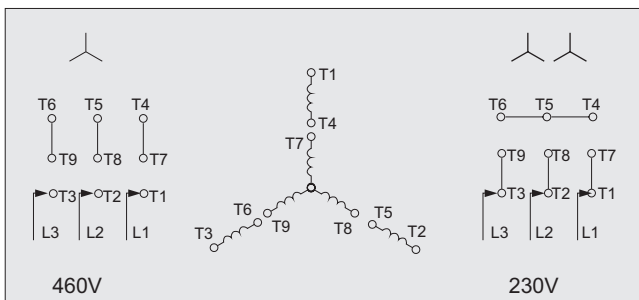
NOMINAL DATA

Nominal data is given for ambient temperature from -15°C (5°F) up to $+40^{\circ}\text{C}$ (104°F), the installation height up to 1000m (3300 ft) above sea level and continuous duty (S1) of the motors. The same nominal data is valid for insulation classes B and F. The table below presents the allowable tolerances of the nominal data at nominal supply conditions.

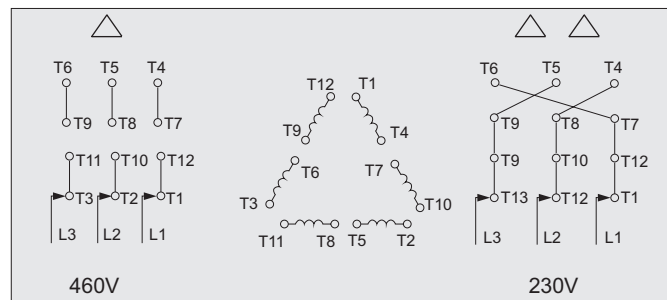
Full load current	$\pm 10\%$
RPM at full load speed	$\pm 20\%$ (synchronous speed – RPM at full load speed)

NOMINAL VOLTAGE & BASIC CONNECTION DIAGRAMS

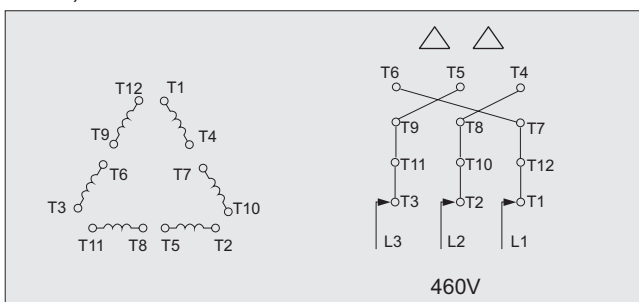
Connection diagram of **143T+184T** motors, nominal voltage 230/460V



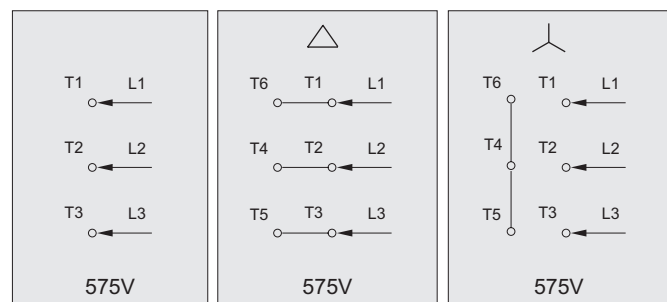
Connection diagram of **213T+445T** motors, nominal voltage 230/460V (output up to & incl. 100 HP)



Connection diagram of **444T+587** motors, nominal voltage 460V (output 125 HP and above)



Connection diagram of **143T+587** motors, nominal voltage 575V



Note: Standard rotation is CCW facing end opposite drive extension.

MOUNTING ARRANGEMENTS & BEARINGS

MOUNTING ARRANGEMENTS & BEARINGS

RIGID BASE	C - FACE WITH BASE	D - FACE WITH BASE	BEARING SIZES	
			DE	ODE
2p = 2 3600 rpm				
ESg 143T	Esg 143TCL		6205 2Z C3	6205 2Z C3
ESg 145T	Esg 145TCL		6205 2Z C3	6205 2Z C3
ESg 182T	ESg 182TCL		6306 2Z C3	6306 2Z C3
ESg 184T	ESg 184TCL		6306 2Z C3	6306 2Z C3
ESg 213T	ESg 213TCL		6308 2Z C3	6308 2Z C3
ESg 215T	ESg 215TCL		6308 2Z C3	6308 2Z C3
ESh 254T	ESh 254TCL		6309 2Z C3	6309 2Z C3
ESh 256T	ESh 256TCL		6309 2Z C3	6309 2Z C3
ESg 284TS	ESg 284TSCL		6311 2Z C3	6311 2Z C3
ESg 286TS	ESg 286TSCL		6311 2Z C3	6311 2Z C3
STe 324TS	STe 324TSCL	STe 324TSDL	6312 C3	6312 C3
STe 326TS	STe 326TSCL	STe 326TSDL	6312 C3	6312 C3
STe 364TS	STe 364TSCL	STe 364TSDL	6313 C3	6313 C3
STe 365TS	STe 365TSCL	STe 365TSDL	6313 C3	6313 C3
STe 405TS	STe 405TSCL	STe 405TSDL	6315 C3	6315 C3
STe 444TS	STe 444TSCL	STe 444TSDL	6315 C3	6315 C3
STe 445TS	STe 445TSCL	STe 445TSDL	6315 C3	6315 C3
2p = 4 1800 rpm				
ESg 143T	ESg 143TCL		6205 2Z C3	6205 2Z C3
ESg 145T	Esg 145TCL		6205 2Z C3	6205 2Z C3
ESg 182T	ESg 182TCL		6306 2Z C3	6306 2Z C3
ESg 184T	ESg 184TCL		6306 2Z C3	6306 2Z C3
ESg 213T	ESg 213TCL		6308 2Z C3	6308 2Z C3
ESg 215T	ESg 215TCL		6308 2Z C3	6308 2Z C3
ESh 254T	ESh 254TCL		6309 2Z C3	6309 2Z C3
ESh 256T	ESh 256TCL		6309 2Z C3	6309 2Z C3
ESg 284T	ESg 284TCL		6311 2Z C3	6311 2Z C3
ESg 286T	ESg 286TCL		6311 2Z C3	6311 2Z C3
STe 324T	STe 324TCL	STe 324TDL	6312 C3	6312 C3
STe 326T	STe 326TCL	STe 326TDL	6312 C3	6312 C3
STe 364T	STe 364TCL	STe 364TDL	6313 C3	6313 C3
STe 365T	STe 365TCL	STe 365TDL	6313 C3	6313 C3
STe 405T	STe 405TCL	STe 405TDL	6315 C3	6315 C3
STe 444T	STe 444TCL	STe 444TDL	6318 C3	6318 C3
STe 445T	STe 445TCL	STe 445TDL	6318 C3	6318 C3
STe 447T			NU320	6318 C3
Sgm 447T			NU320 E M1	6317 M C3
Sgm 449T			6319 M C3 ¹⁾ NU322 E M1 ²⁾	6314 M C3 6314 M C3
Sg 586			NU322 E M1	6322 M C3
Sg 587			NU322 E M1	6322 M C3

1) - for motors design B

2) - for motors design C (Crusher Duty)



MOUNTING ARRANGEMENTS & BEARINGS

RIGID BASE	C-FACE WITH BASE	D-FACE WITH BASE	BEARING SIZES	
			DE	ODE
2p = 6 1200 rpm				
ESg 143T	ESg 143TCL		6205 2Z C3	6205 2Z C3
ESg 145T	Esg 145TCL		6205 2Z C3	6205 2Z C3
ESg 182T	ESg 182TCL		6306 2Z C3	6306 2Z C3
ESg 184T	ESg 184TCL		6306 2Z C3	6306 2Z C3
ESg 213T	ESg 213TCL		6308 2Z C3	6308 2Z C3
ESg 215T	ESg 215TCL		6308 2Z C3	6308 2Z C3
ESh 254T	ESh 254TCL		6309 2Z C3	6309 2Z C3
ESh 256T	ESh 256TCL		6309 2Z C3	6309 2Z C3
ESg 284T	ESg 284TCL		6311 2Z C3	6311 2Z C3
ESg 286T	ESg 286TCL		6311 2Z C3	6311 2Z C3
STe 324T	STe 324TCL	STe 324TDL	6312 C3	6312 C3
STe 326T	STe 326TCL	STe 326TDL	6312 C3	6312 C3
Sg 364T	Sg 364TCL		6313 C3	6313 C3
Sg 365T	Sg 365TCL		6313 C3	6313 C3
Sg 404T	Sg 404TCL		6315 C3	6315 C3
Sg 405T	Sg 405TCL		6315 C3	6315 C3
Sg 444T	Sg 444TCL		6318 C3	6318 C3
Sg 445T	Sg 445TCL		6318 C3	6318 C3
Sgm 447T			NU320 E M1	6317 M C3
Sgm 449T			6319 M C3 ¹⁾ NU322 E M1 ²⁾	6314 M C3 6314 M C3
Sg 586			NU322 E M1	6322 M C3
Sg 587			NU322 E M1	6322 M C3
2p = 8 900 rpm				
ESg 184T	ESg 184TCL		6306 2Z C3	6306 2Z C3
ESg 213T	ESg 213TCL		6308 2Z C3	6308 2Z C3
ESg 215T	ESg 215TCL		6308 2Z C3	6308 2Z C3
ESh 254T	ESh 254TCL		6309 2Z C3	6309 2Z C3
ESh 256T	ESh 256TCL		6309 2Z C3	6309 2Z C3
ESg 284T	ESg 284TCL		6311 2Z C3	6311 2Z C3
ESg 286T	ESg 286TCL		6311 2Z C3	6311 2Z C3
Sg 324T	Sg 324TCL		6312 C3	6312 C3
Sg 326T	Sg 326TCL		6312 C3	6312 C3
Sg 365T	Sg 365TCL		6313 C3	6313 C3
Sg 404T	Sg 404TCL		6315 C3	6315 C3
Sg 405T	Sg 405TCL		6315 C3	6315 C3
Sg 444T	Sg 444TCL		6318 C3	6318 C3
Sg 445T	Sg 445TCL		6318 C3	6318 C3
Sgm 447T			NU320 E M1	6317 M C3
Sg 586			NU322 E M1	6322 M C3

1) - for motors design B

2) - for motors design C (Crusher Duty)



PERFORMANCE

PERFORMANCE

HP	NEMA Frame	Compliance Certificate Number	RPM	Full Load Torque (lb-ft)	Locked Rotor Torque (%)	Breakdown Torque (%)	Full Load Amps			Locked Rotor Amps		Efficiency (%)			Power Factor			NEMA Design	Code Letter	Service Factor	Rotor WK ² (lb-ft ²)	Weight (Rigid Base) (lbs)
							460V	575V	208V	460V	575V	2/4 Load	3/4 Load	Full Load	2/4 Load	3/4 Load	Full Load					
0.8	143T	-	1155	3.6	195	330	1.2	1.0	2.5	6.2	5.0	76.0	79.3	80.0	0.50	0.63	0.71	B	H	1.40	0.12	49
1.0	143T	CC045A	1755	3.0	295	310	1.5	1.2	3.1	12.0	9.6	76.8	81.0	82.5	0.53	0.66	0.75	B	L	1.40	0.08	51
	145T	CC045A	1155	4.6	180	290	1.6	1.3	3.3	8.1	6.5	76.8	79.7	80.0	0.52	0.65	0.73	B	H	1.40	0.13	52
	182T	-	875	6.0	170	270	2.0	1.6	4.5	8.4	6.7	65.7	71.7	74.0	0.42	0.55	0.64	B	H	1.40	0.29	68
1.5	143T	CC045A	3500	2.2	275	320	2.0	1.6	4.2	16.4	13.1	77.5	81.4	82.5	0.72	0.81	0.87	B	K	1.30	0.06	51
	145T	CC045A	1745	4.5	265	370	2.1	1.7	4.6	15.9	12.7	80.0	83.2	84.0	0.59	0.71	0.79	B	K	1.40	0.09	54
	182T	CC045A	1175	6.7	255	350	2.3	1.8	5.2	16.4	13.1	80.5	84.2	85.5	0.49	0.63	0.72	B	K	1.40	0.34	79
	184T	-	875	9.0	170	240	2.6	2.1	5.9	12.0	9.6	72.4	76.1	77.0	0.48	0.61	0.70	B	H	1.40	0.35	79
2.0	145T	CC045A	3505	3.0	280	325	2.6	2.0	5.3	22.2	17.8	81.4	83.8	84.0	0.72	0.82	0.87	B	K	1.40	0.06	57
	145T	CC045A	1735	6.1	240	330	2.7	2.2	5.8	18.4	14.7	82.0	84.0	84.0	0.65	0.76	0.82	B	J	1.40	0.11	56
	184T	CC045A	1165	9.0	210	270	2.9	2.3	6.4	17.6	14.1	85.8	87.1	86.5	0.55	0.67	0.74	B	H	1.30	0.40	93
	213T	-	875	12.0	230	340	3.2	2.6	6.7	20.2	16.2	78.3	81.7	82.5	0.47	0.61	0.70	B	K	1.40	0.94	128
3.0	182T	CC045A	3510	4.5	220	280	3.8	3.1	8.9	27.6	22.1	82.1	84.8	85.5	0.71	0.80	0.86	B	J	1.40	0.12	75
	182T	CC045A	1745	9.0	260	380	3.9	3.1	8.8	30.8	24.6	85.1	87.3	87.5	0.64	0.76	0.82	B	K	1.30	0.24	86
	213T	CC045A	1170	13.5	230	350	4.2	3.4	9.3	31.0	24.8	84.3	86.9	87.5	0.56	0.68	0.76	B	K	1.30	0.66	127
	215T	-	860	18.3	220	290	4.4	3.5	9.4	25.0	20.0	82.3	84.5	84.0	0.54	0.67	0.76	B	H	1.30	0.94	137
5.0	184T	CC045A	3500	7.5	225	280	6.2	4.9	13.4	44.0	35.2	86.3	87.8	87.5	0.75	0.85	0.87	B	H	1.40	0.20	101
	184T	CC045A	1735	15.1	250	320	6.2	5.0	13.8	45.0	36.0	86.9	88.7	87.5	0.70	0.81	0.86	B	J	1.30	0.34	103
	215T	CC045A	1155	22.7	190	250	6.6	5.2	14.4	40.0	32.0	87.2	88.4	87.5	0.66	0.76	0.82	B	H	1.30	0.82	148
	254T	-	880	29.8	160	240	7.2	5.8	16.2	36.1	28.9	84.2	85.8	85.5	0.57	0.69	0.76	B	G	1.30	2.10	208
7.5	213T	CC045A	3500	11.3	220	350	8.6	6.9	18.6	56.0	44.8	88.2	89.0	88.5	0.83	0.89	0.92	B	G	1.30	0.36	138
	213T	CC045A	1750	22.5	200	280	9.0	7.2	19.8	61.8	49.4	89.5	90.2	89.5	0.75	0.84	0.87	B	H	1.30	0.72	146
	254T	CC045A	1180	33.4	260	220	9.2	7.3	20.8	59.2	47.4	88.4	89.7	89.5	0.73	0.82	0.86	B	G	1.30	3.27	256
	256T	-	875	45.0	145	220	10.8	8.6	23.7	48.2	38.6	83.9	86.1	85.5	0.57	0.70	0.76	B	F	1.20	2.10	225
10	215T	CC045A	3495	15.0	235	260	11.4	9.1	25.1	79.9	63.9	89.9	90.3	89.5	0.84	0.90	0.92	B	H	1.30	0.43	161
	215T	CC045A	1745	30.1	180	220	11.9	9.5	26.3	78.5	62.8	90.7	90.8	89.5	0.77	0.86	0.88	B	H	1.30	0.87	165
	256T	CC045A	1175	44.7	255	270	12.3	9.8	27.5	75.2	60.2	89.5	90.1	89.5	0.73	0.81	0.85	B	G	1.20	3.27	269
	284T	-	880	59.7	165	220	13.4	10.7	28.9	70.7	56.6	88.4	89.1	88.5	0.64	0.75	0.79	B	G	1.40	4.57	344
15	254T	CC045A	3540	22.3	230	240	18.2	14.5	38.8	104.0	83.2	89.4	90.4	90.2	0.74	0.82	0.86	B	F	1.30	1.15	256
	254T	CC045A	1760	44.8	220	265	17.2	13.7	37.5	106.0	84.8	90.5	91.0	91.0	0.82	0.87	0.90	B	G	1.30	2.52	265
	284T	CC045A	1175	67.1	265	210	18.1	14.5	40.0	113.6	90.9	90.3	90.8	90.2	0.75	0.83	0.86	B	G	1.20	4.75	351
	286T	-	880	89.6	180	210	20.3	16.3	43.5	111.2	89.0	88.3	89.2	88.5	0.62	0.73	0.78	B	G	1.20	4.57	359
20	256T	CC045A	3540	29.7	235	260	23.9	19.1	50.5	132.0	105.6	90.9	91.1	90.2	0.79	0.85	0.87	B	F	1.30	1.47	304
	256T	CC045A	1755	59.9	220	240	22.7	18.1	49.3	137.9	110.3	92.1	91.9	91.0	0.85	0.89	0.91	B	F	1.20	3.06	331
	286T	CC045A	1175	89.4	250	210	24.1	19.3	53.8	144.7	115.8	90.3	91.0	90.2	0.76	0.84	0.86	B	G	1.20	5.17	368
	324T	-	885	118.7	200	190	26.0	20.5	58.0	145.0	116.0	88.3	89.9	89.5	0.70	0.79	0.81	C	G	1.15	9.73	500

PERFORMANCE

HP	NEMA Frame	Compliance Certificate Number	RPM	Full Load Torque (lb-ft)	Locked Rotor Torque (%)	Breakdown Torque (%)	Full Load Amps			Locked Rotor Amps		Efficiency (%)			Power Factor			NEMA Design	Code Letter	Service Factor	Rotor WK ² (lb-ft ²)	Weight (Rigid Base) (lbs)
							460V	575V	208V	460V	575V	2/4 Load	3/4 Load	Full Load	2/4 Load	3/4 Load	Full Load					
25	284TS	CC045A	3525	37.3	260	230	29.5	23.7	65.2	178.0	142.4	91.5	91.8	91.0	0.79	0.86	0.87	B	G	1.15	1.63	335
	284T	CC045A	1760	74.6	230	230	28.0	22.3	61.7	173.0	138.4	93.2	93.2	92.4	0.84	0.89	0.91	B	F	1.15	3.19	357
	324T *	CC045A	1187	110.7	230	205	30.5	24.5	67.5	182.0	145.0	92.1	92.6	92.4	0.74	0.81	0.83	B	G	1.15	10.20	534
	326T	-	885	148.4	210	190	31.0	25.0	69.2	182.5	146.0	89.5	90.5	90.2	0.69	0.77	0.83	C	G	1.15	10.90	545
30	286TS	CC045A	3535	44.6	245	290	35.1	28.1	76.1	200.0	160.0	90.5	91.3	91.0	0.82	0.86	0.88	B	F	1.15	1.92	388
	286T	CC045A	1755	89.8	235	230	33.2	26.4	75.2	212.0	169.6	93.4	93.3	92.4	0.85	0.90	0.92	B	G	1.15	3.59	395
	326T *	CC045A	1185	133.0	210	190	37.0	29.5	81.6	200.0	160.0	92.3	92.6	91.7	0.74	0.82	0.83	B	F	1.15	11.35	562
	364T	-	885	178.1	190	200	38.5	30.5	86.1	217.5	174.0	89.2	90.1	90.2	0.66	0.76	0.80	B	G	1.15	13.24	625
40	324TS	CC045A	3560	59.0	190	240	45.6	36.5	101	290	232	92.2	93.2	93.0	0.79	0.87	0.88	B	G	1.15	3.66	538
	324T *	CC045A	1771	118.7	230	205	46.5	37.2	104	290	232	93.2	93.7	93.0	0.76	0.84	0.86	B	G	1.15	6.88	558
	364T	-	1180	178.1	210	220	46.5	37.5	103	289	231	91.1	91.9	91.7	0.82	0.87	0.88	C	G	1.15	16.80	700
	365T	-	885	237.5	220	210	52.0	41.5	115	289	231	90.3	90.8	90.2	0.66	0.76	0.80	C	G	1.15	16.60	725
50	326TS *	CC045A	3560	73.8	200	230	55.0	44.5	122	362	290	93.6	94.2	94.1	0.83	0.89	0.90	B	G	1.15	4.05	604
	326T *	CC045A	1770	148.4	230	205	57.0	45.5	126	360	288	93.9	94.3	93.6	0.80	0.87	0.88	B	G	1.15	8.20	640
	365T	-	1180	222.6	240	220	58.0	46.5	129	362	289	91.5	92.0	92.0	0.83	0.88	0.87	C	G	1.15	16.80	730
	404T	-	885	296.8	200	210	61.5	49.5	137	350	280	90.4	91.2	91.0	0.72	0.80	0.83	C	F	1.15	29.20	890
60	364TS	CC045A	3566	88.6	190	230	66.5	53.5	147	435	348	93.5	94.3	94.1	0.83	0.89	0.90	B	G	1.15	5.85	730
	364T *	CC045A	1780	177.1	230	230	67.5	54.0	149	435	348	94.5	94.9	94.5	0.81	0.87	0.88	B	G	1.15	10.40	734
	404T	-	1182	266.7	200	200	69.0	55.0	151	410	328	92.5	92.9	92.3	0.82	0.87	0.89	C	F	1.15	29.27	910
	405T	-	885	356.2	220	200	74.0	59.5	163	395	316	91.6	92.1	91.7	0.73	0.80	0.83	C	F	1.15	33.00	955
75	365TS	CC045A	3556	110.8	175	200	83.5	67.0	184	493	394	94.0	94.2	93.6	0.86	0.90	0.90	B	F	1.15	6.65	780
	365T *	CC045A	1778	221.6	240	200	84.5	68.0	187	542	433	94.5	94.9	94.5	0.80	0.87	0.88	B	G	1.15	12.80	794
	405T	-	1180	333.9	200	230	85.0	68.0	188	540	433	92.1	92.7	93.0	0.84	0.89	0.89	C	G	1.15	35.60	990
	444T	-	885	445.3	220	200	89.0	71.0	197	508	406	91.6	92.5	93.0	0.77	0.83	0.85	C	F	1.15	42.10	1265
100	405TS*	CC045A	3568	147.2	210	220	108	86.0	239	725	580	95.2	95.6	95.4	0.86	0.90	0.91	B	G	1.15	9.70	976
	405T *	CC045A	1780	295.2	220	220	109	87.0	241	720	576	95.0	95.2	94.5	0.86	0.90	0.91	B	G	1.15	18.60	1027
	444T	-	1180	445.3	205	220	115	92.0	253	670	532	88.4	93.0	93.0	0.83	0.87	0.88	C	F	1.15	42.10	1275
	445T	-	885	593.7	215	260	122	97.0	268	722	577	92.2	92.6	93.0	0.74	0.81	0.83	C	G	1.15	50.40	1460
125	444TS	CC045A	3570	184.0	160	200	135	108	-	820	656	95.3	95.7	95.4	0.88	0.91	0.91	B	F	1.15	16.60	1305
	444T	CC045A	1786	367.7	170	220	136	109	-	880	704	95.7	95.9	95.4	0.86	0.90	0.90	B	F	1.15	31.20	1387
	445T	-	1180	556.6	240	230	142	114	-	880	704	93.5	93.8	93.0	0.84	0.87	0.88	C	F	1.15	50.40	1465
	447T	Crusher Duty	887	740.4	200	220	157	-	-	900	-	93.2	94.2	94.1	0.62	0.73	0.79	C	G	1.15	55.80	1815
150	445TS	CC045A	3569	220.8	180	215	160	128	-	1040	832	95.7	96.0	95.4	0.90	0.92	0.92	B	G	1.15	20.70	1500
	445T	CC045A	1786	441.3	180	225	162	129	-	1070	856	95.8	95.9	95.4	0.87	0.90	0.91	B	G	1.15	35.80	1466
	447T	Crusher Duty	1185	665.1	220	230	172	-	-	1060	-	94.3	95.1	95.0	0.77	0.84	0.86	C	G	1.15	54.60	1725
	447T	Crusher Duty	887	888.5	220	210	188	-	-	1080	-	93.7	94.5	94.5	0.63	0.74	0.79	C	G	1.15	71.20	1975

PERFORMANCE

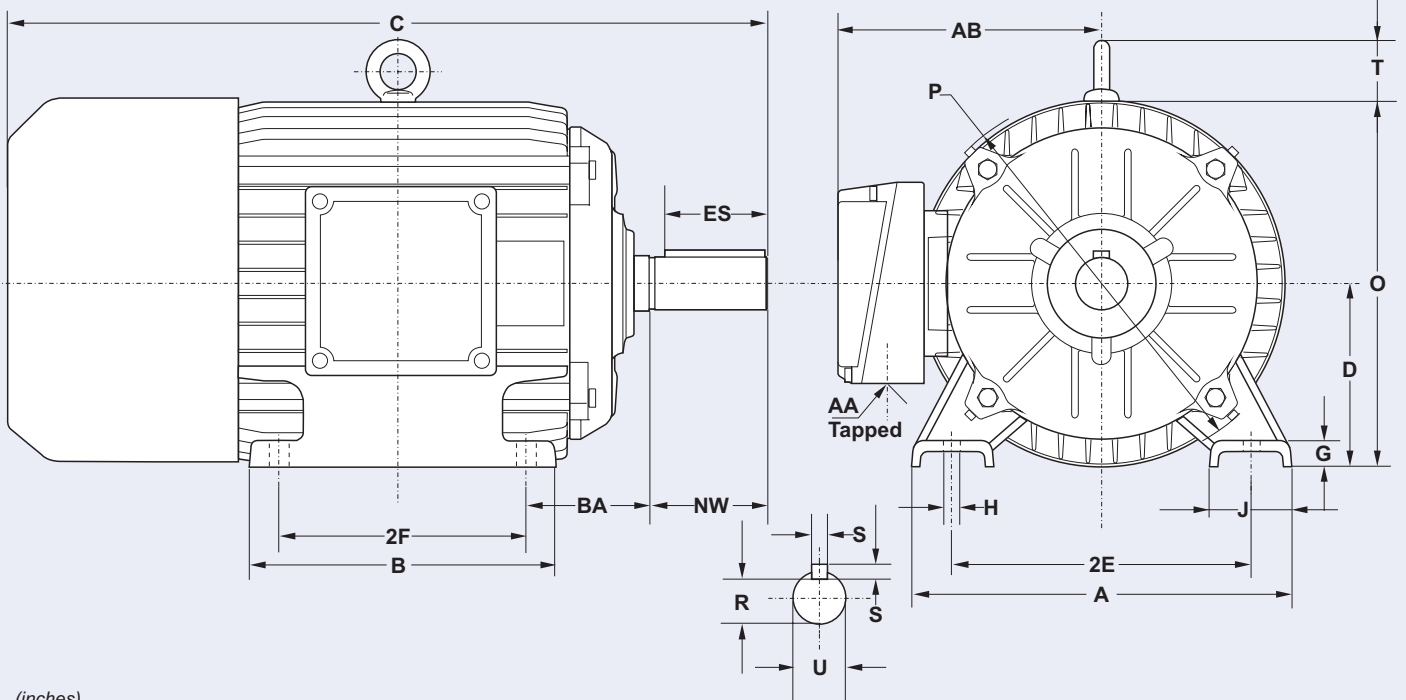
Note: * - meet design C requirements

PERFORMANCE

PERFORMANCE

HP	NEMA Frame	Compliance Certificate Number	RPM	Full Load Torque (lb-ft)	Locked Rotor Torque (%)	Breakdown Torque (%)	Full Load Amps			Locked Rotor Amps		Efficiency (%)			Power Factor			NEMA Design	Code Letter	Service Factor	Rotor WK ² (lb-ft ²)	Weight (Rigid Base) (lbs)	
							460V	575V	208V	460V	575V	2/4 Load	3/4 Load	Full Load	2/4 Load	3/4 Load	Full Load						
200	447T	CC045A	1778	591.0	170	200	223	178	-	1450	1160	95.4	95.6	95.0	0.82	0.87	0.89	B	G	1.15	43.1	1764	
			1783	589.3	210	220	227	-	-	1450	-	94.4	95.0	95.0	0.81	0.86	0.87	C	G	1.15	45.1	1725	
	447T	Crusher Duty	1782	589.7	210	220	-	181	-	-	1160	93.9	94.7	95.0	0.79	0.85	0.87	C	G	1.15	45.1	1725	
			1185	886.8	230	240	229	-	-	1430	-	94.3	95.1	95.0	0.77	0.84	0.86	C	G	1.15	68.8	1945	
	586	Crusher Duty	889	1182.0	210	200	263	-	-	1310	-	93.6	94.5	94.5	0.61	0.71	0.75	C	F	1.15	170.8	3270	
			891	1179.3	210	200	-	211	-	-	1050	93.4	94.3	94.5	0.63	0.70	0.75	C	F	1.15	170.8	3270	
	250	447T	Crusher Duty	1784	736.3	220	220	283	-	-	1825	-	94.2	95.0	95.0	0.81	0.86	0.87	C	G	1.15	54.6	1935
				1782	737.1	220	220	-	227	-	-	1460	93.9	94.9	95.0	0.79	0.86	0.87	C	G	1.15	54.6	1935
449T		-	1189	1104.7	150	220	304	-	-	1825	-	94.0	94.9	95.0	0.79	0.81	0.81	B	G	1.15	80.5	2645	
			1189	1104.7	150	210	-	240	-	-	1460	94.0	94.9	95.0	0.79	0.81	0.82	C	H	1.15	80.5	2645	
449T		Crusher Duty	1188	1105.6	220	210	305	-	-	2100	-	93.9	94.9	95.0	0.78	0.80	0.81	C	H	1.15	80.5	2645	
			1186	1107.5	210	220	296	-	-	1740	-	93.6	94.4	94.5	0.75	0.82	0.84	C	F	1.15	178.0	3283	
586		Crusher Duty	1186	1107.5	21	220	-	236	-	-	1400	93.3	94.3	94.5	0.78	0.83	0.84	C	F	1.15	178.0	3283	
			889	1477.5	210	190	322	-	-	1620	-	93.1	94.9	95.0	0.61	0.72	0.76	C	F	1.15	213.6	3621	
890	1475.8	210	190	-	259	-	-	1300	93.6	94.8	95.0	0.66	0.74	0.76	C	F	1.15	213.6	3621				
300	449T	-	1785	883.0	160	210	338	-	-	2200	-	95.2	95.5	95.4	0.81	0.86	0.87	B	G	1.15	69.9	2665	
			1786	882.5	160	220	-	270	-	-	1760	93.8	95.1	95.4	0.81	0.86	0.87	C	H	1.15	69.9	2665	
	449T	Crusher Duty	1787	882.0	240	230	347	-	-	2600	-	95.1	95.4	95.4	0.79	0.84	0.85	C	H	1.15	69.9	2665	
			1786	882.5	200	210	349	-	-	2150	-	93.4	94.7	95.0	0.79	0.84	0.85	C	G	1.15	137.6	3413	
	586	Crusher Duty	1786	882.5	200	210	-	279	-	-	1680	93.4	94.7	95.0	0.79	0.84	0.85	C	G	1.15	137.6	3413	
			1189	1325.7	150	220	365	-	-	2200	-	94.9	95.2	95.0	0.69	0.78	0.81	B	G	1.15	91.5	2830	
	449T	-	1188	1326.8	150	220	-	288	-	-	1760	94.0	94.9	95.0	0.79	0.81	0.82	B	G	1.15	91.5	2830	
			1188	1326.8	230	210	368	-	-	2550	-	94.8	95.0	95.0	0.68	0.77	0.80	C	H	1.15	91.5	2830	
586	Crusher Duty	1186	1329.0	210	200	349	-	-	2000	-	94.4	95.0	95.0	0.79	0.84	0.85	C	F	1.15	220.7	3645		
		1186	1329.0	210	200	-	278	-	-	1600	94.3	95.0	95.0	0.79	0.84	0.85	C	F	1.15	220.7	3645		
586	Crusher Duty	889	1773.0	220	190	382	-	-	2000	-	94.1	95.1	95.4	0.62	0.73	0.77	C	F	1.15	256.3	3991		
		890	1771.0	220	190	-	310	-	-	1700	94.1	95.1	95.4	0.65	0.73	0.76	C	F	1.15	256.3	3991		
350	449T	-	1786	1029.6	170	220	395	-	-	2550	-	95.3	95.6	95.4	0.81	0.85	0.87	B	G	1.15	78.3	2830	
			1785	1030.2	170	230	-	315	-	-	2040	94.2	95.2	95.4	0.83	0.86	0.87	C	H	1.15	78.3	2830	
	449T	Crusher Duty	1787	1029.0	230	240	400	-	-	3050	-	95.1	95.4	95.4	0.80	0.84	0.86	C	H	1.15	78.3	2830	
			1786	1029.6	210	210	395	-	-	2550	-	94.0	95.1	95.4	0.83	0.86	0.87	C	G	1.15	175.6	3759	
	586	Crusher Duty	1786	1029.6	210	210	-	316	-	-	2020	94.0	95.1	95.4	0.83	0.86	0.87	C	G	1.15	175.6	3759	
			1187	1549.2	245	220	404	-	-	2550	-	94.5	95.3	95.4	0.79	0.84	0.85	C	G	1.15	268.1	4020	
1187	1549.2	245	220	-	323	-	-	2040	94.4	95.3	95.4	0.78	0.84	0.85	C	G	1.15	268.1	4020				
400	587	Crusher Duty	1786	1176.7	200	210	446	-	-	2900	-	93.6	95.0	95.4	0.80	0.86	0.88	C	G	1.15	218.3	4149	
			1789	1174.7	200	210	-	353	-	-	2300	93.6	95.0	95.4	0.80	0.86	0.89	C	G	1.15	218.3	4149	
	587	Crusher Duty	1191	1764.6	200	260	446	-	-	2900	-	94.2	95.2	95.4	0.80	0.86	0.88	C	G	1.15	284.8	4199	
1191			1764.6	200	260	-	357	-	-	2320	94.0	95.2	95.4	0.81	0.86	0.88	C	G	1.15	284.8	4199		
450	587	Crusher Duty	1787	1323.6	220	210	492	-	-	3220	-	95.0	95.9	96.2	0.86	0.89	0.89	C	G	1.15	232.5	4289	
			1789	1321.6	210	210	-	395	-	-	2580	94.0	95.1	95.8	0.80	0.86	0.89	C	G	1.15	232.5	4289	
500	587	Crusher Duty	1786	1470.9	200	210	555	-	-	3625	-	94.0	95.5	95.8	0.81	0.86	0.88	C	G	1.00	232.5	4289	
			1789	1468.4	220	230	-	439	-	-	2950	94.4	95.5	95.8	0.83	0.88	0.89	C	G	1.00	232.5	4289	

RIGID BASE



(inches)

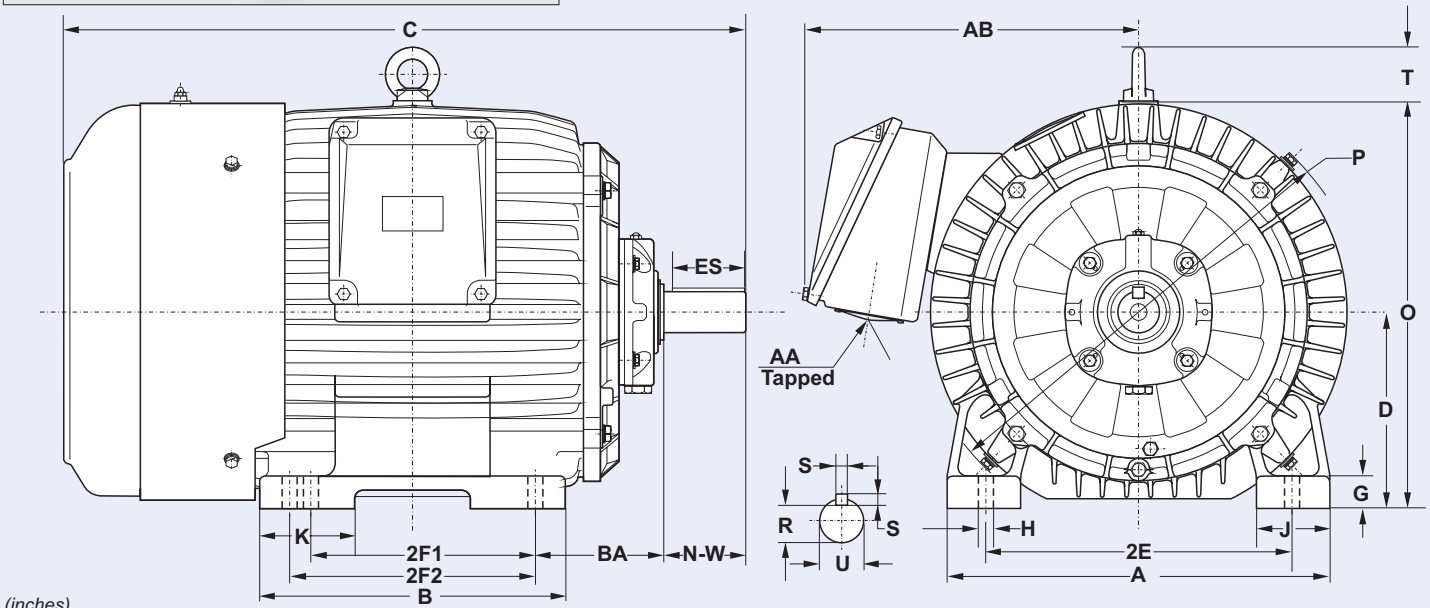
Motor Frame	Number of Poles	Mounting Dimensions											Overall Dimensions								
		D	2E	2F	G	H	Shaft End					A	AA	AB	B	C	J	O	P	T	
							BA	ES	N-W	R	S										U
ESg 143T	2,4	3.50	5.50	4.00	0.39	0.34	2.25	1.52	2.25	0.771	0.188	0.875	6.62	3/4	6.50	5.83	13.03	1.66	7.48	8.27	-
ESg 145T	2,4,6	3.50	5.50	5.00	0.39	0.34	2.25	1.52	2.25	0.771	0.188	0.875	6.62	3/4	6.50	7.00	14.20	1.66	7.48	8.27	-
ESg 182T	2,4,6,8	4.50	7.50	4.50	0.60	0.41	2.75	1.94	2.75	0.986	0.250	1.125	9.00	1	7.90	6.74	15.10	2.13	9.09	9.53	1.77
ESg 184T	2,4,6,8	4.50	7.50	5.50	0.60	0.41	2.75	1.94	2.75	0.986	0.250	1.125	9.00	1	7.90	8.31	16.71	2.13	9.09	9.53	1.77
ESg 213T	2,4,6,8	5.25	8.50	5.50	0.72	0.41	3.50	2.55	3.38	1.201	0.312	1.375	10.24	1	8.45	8.10	18.77	2.20	10.55	10.94	1.77
ESg 215T	2,4,6,8	5.25	8.50	7.00	0.72	0.41	3.50	2.55	3.38	1.201	0.312	1.375	10.24	1	8.45	9.60	20.67	2.20	10.55	10.94	1.77
ESh 254T	2,4,6,8	6.25	10.00	8.25	0.58	0.55	4.25	3.11	4.00	1.416	0.375	1.625	12.28	1 1/4	10.08	9.92	24.10	2.36	13.18	14.17	2.08
ESh 256T	2,4,6,8	6.25	10.00	10.00	0.58	0.55	4.25	3.11	4.00	1.416	0.375	1.625	12.28	1 1/4	10.08	11.65	25.83	2.36	13.18	14.17	2.08
ESg 284T	4,6,8	7.00	11.00	9.50	0.89	0.55	4.75	3.53	4.62	1.591	0.500	1.875	13.78	1 1/2	10.34	11.61	27.10	2.75	14.01	14.17	2.08
ESg 284TS	2	7.00	11.00	9.50	0.89	0.55	4.75	2.10	3.25	1.416	0.375	1.625	13.78	1 1/2	10.34	11.61	25.70	2.75	14.01	14.17	2.08
ESg 286T	4,6,8	7.00	11.00	11.00	0.89	0.55	4.75	3.53	4.62	1.591	0.500	1.875	13.78	1 1/2	10.34	13.11	28.60	2.75	14.01	14.17	2.08
ESg 286TS	2	7.00	11.00	11.00	0.89	0.55	4.75	2.10	3.25	1.416	0.375	1.625	13.78	1 1/2	10.34	13.11	27.20	2.75	14.01	14.17	2.08

OVERALL AND MOUNTING DIMENSIONS

RIGID BASE



OVERALL AND MOUNTING DIMENSIONS

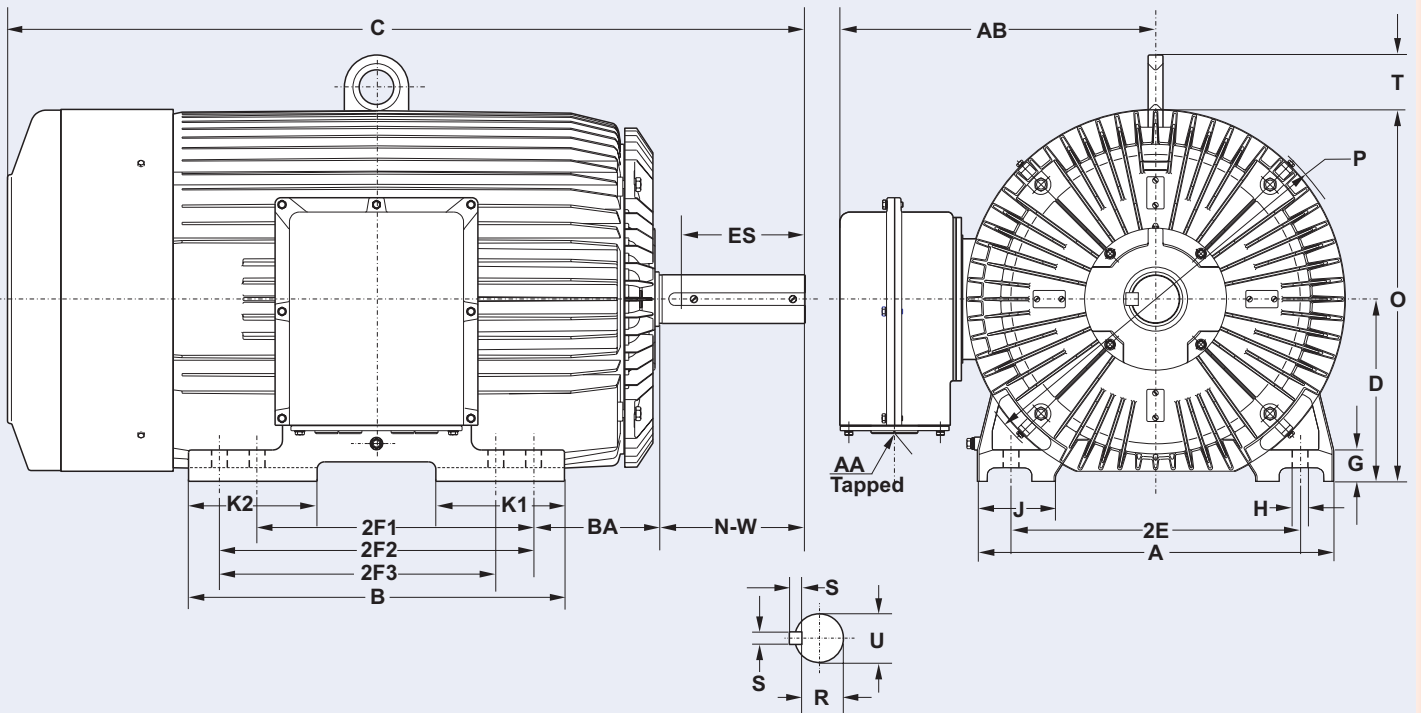
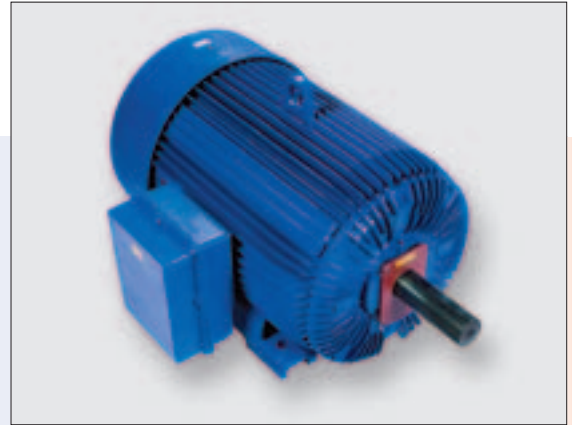


(inches)

Motor Frame	Number of Poles	Mounting Dimensions											Overall Dimensions										
		D	2E	2F1	2F2	G	H	Shaft End					A	AA	AB	B	C	J	K	O	P	T	
								BA	ES	N-W	R	S											U
STe 324TS	2	8.00	12.50	10.50	-	1.38	0.66	5.25	2.75	3.75	1.591	0.500	1.875	15.80	2	14.00	13.40	29.20	3.15	3.94	16.70	17.70	2.50
STe 324T	4,6	8.00	12.50	10.50	-	1.38	0.66	5.25	4.33	5.25	1.845	0.500	2.125	15.80	2	14.00	13.40	30.70	3.15	3.94	16.70	17.70	2.50
Sg 324T	8	8.00	12.50	10.50	-	1.38	0.66	5.25	4.33	5.25	1.845	0.500	2.125	15.80	2	14.00	13.40	31.30	3.15	3.94	16.70	17.70	2.50
STe 326TS	2	8.00	12.50	10.50	12.00	1.38	0.66	5.25	2.75	3.75	1.591	0.500	1.875	15.80	2	14.00	14.90	30.70	3.15	3.94	16.70	17.70	2.50
STe 326T	4,6	8.00	12.50	10.50	12.00	1.38	0.66	5.25	4.33	5.25	1.845	0.500	2.125	15.80	2	14.00	14.90	32.30	3.15	3.94	16.70	17.70	2.50
Sg 326T	8	8.00	12.50	12.00	-	1.38	0.66	5.25	4.33	5.25	1.845	0.500	2.125	15.80	2	14.00	14.90	32.90	3.15	3.94	16.70	17.70	2.50
STe 364TS	2	9.00	14.00	11.25	-	1.49	0.66	5.88	2.75	3.75	1.591	0.500	1.875	17.50	3	15.40	14.00	31.50	3.35	4.33	18.80	19.90	2.50
STe 364T	4	9.00	14.00	11.25	-	1.49	0.66	5.88	4.92	5.88	2.021	0.625	2.375	17.50	3	15.40	14.00	33.70	3.35	4.33	18.80	19.90	2.50
Sg 364T	6,8	9.00	14.00	11.25	-	1.49	0.66	5.88	4.92	5.88	2.021	0.625	2.375	17.50	3	15.40	14.00	34.30	3.35	4.33	18.80	19.90	2.50
STe 365TS	2	9.00	14.00	11.25	12.25	1.49	0.66	5.88	2.75	3.75	1.591	0.500	1.875	17.50	3	15.40	15.00	32.50	3.35	4.33	18.80	19.90	2.50
STe 365T	4	9.00	14.00	11.25	12.25	1.49	0.66	5.88	4.92	5.88	2.021	0.625	2.375	17.50	3	15.40	15.00	34.70	3.35	4.33	18.80	19.90	2.50
Sg 365T	6,8	9.00	14.00	12.25	-	1.49	0.66	5.88	4.92	5.88	2.021	0.625	2.375	17.50	3	15.40	15.00	35.30	3.35	4.33	18.80	19.90	2.50
Sg 404T	6	10.00	16.00	12.25	-	1.57	0.81	6.62	6.30	7.25	2.450	0.750	2.875	19.50	3	16.30	16.50	40.40	3.54	4.72	20.50	21.10	2.95
STe 405TS	2	10.00	16.00	13.75	-	1.57	0.81	6.62	3.50	4.25	1.845	0.500	2.125	19.50	3	16.30	16.50	36.30	3.54	4.72	20.50	21.10	2.95
STe 405T	4	10.00	16.00	13.75	-	1.57	0.81	6.62	6.30	7.25	2.450	0.750	2.875	19.50	3	16.30	16.50	40.40	3.54	4.72	20.50	21.10	2.95
Sg 405T	6,8	10.00	16.00	13.75	-	1.57	0.81	6.62	6.30	7.25	2.450	0.750	2.875	19.50	3	16.30	16.50	40.40	3.54	4.72	20.50	21.10	2.95
STe 444TS	2	11.00	18.00	14.50	16.50	1.57	0.81	7.50	4.30	4.75	2.021	0.625	2.375	22.10	2 x 3	18.70	20.50	39.20	3.94	6.50	23.10	24.30	2.95
STe 444T	4	11.00	18.00	14.50	16.50	1.57	0.81	7.50	7.90	8.50	2.880	0.875	3.375	22.10	2 x 3	18.70	20.50	43.0	3.94	6.50	23.10	24.30	2.95
Sg 444T	6,8	11.00	18.00	14.50	-	1.57	0.81	7.50	7.90	8.50	2.880	0.875	3.375	22.10	2 x 3	18.70	18.50	44.10	3.94	5.51	23.10	24.30	2.95
STe 445TS	2	11.00	18.00	14.50	16.50	1.57	0.81	7.50	4.30	4.75	2.021	0.625	2.375	22.10	2 x 3	18.70	20.50	39.20	3.94	6.50	23.10	24.30	2.95
STe 445T	4	11.00	18.00	14.50	16.50	1.57	0.81	7.50	7.90	8.50	2.880	0.875	3.375	22.10	2 x 3	18.70	20.50	43.00	3.94	6.50	23.10	24.30	2.95
Sg 445T	6,8	11.00	18.00	16.50	-	1.57	0.81	7.50	7.90	8.50	2.880	0.875	3.375	22.10	2 x 3	18.70	20.50	46.10	3.94	5.51	23.10	24.30	2.95
STe 447T	4	11.00	18.00	20.00	22.00	1.57	0.81	7.50	7.90	8.50	2.880	0.875	3.375	22.10	2 x 3	18.70	24.00	47.30	3.94	5.51	23.10	24.30	2.95

Note: For STe range: 326 base suitable for 324 frame mounting, 365 base suitable for 364 frame mounting, 445 base suitable for 444 frame mounting, 444 base suitable for 445 frame mounting.

RIGID BASE - CRUSHER DUTY MOTORS



(inches)

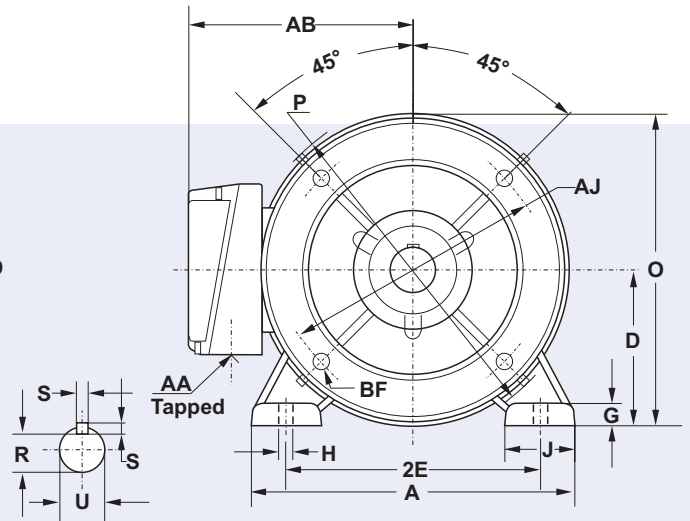
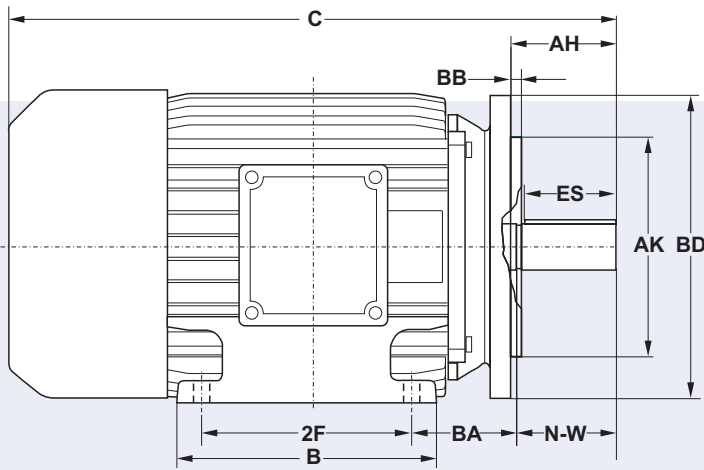
Motor Frame	Number of Poles	Mounting Dimensions													Overall Dimensions										
		D	2E	2F1	2F2	2F3	G	H	Shaft End						A	AA	AB	B	C	J	K1	K2	O	P	T
									BA	ES	N-W	R	S	U											
Sgm 447T	4. 6. 8	11.00	18.00	-	20.00	-	1.55	0.81	7.50	6.875	8.500	2.880	0.875	3.375	22.05	2 x 3	24.52	23.62	49.59	3.94	5.59	5.59	25.87	23.62	3.15
Sgm 449T	4. 6	11.00	18.00	20.00	25.00	20.00	1.55	0.81	7.50	7.870	8.500	2.880	0.875	3.375	21.97	2 x 3	23.85	29.72	55.10	5.20	9.72	9.72	22.90	25.00	4.66
Sgm 449TZ	4. 6	11.00	18.00	20.00	25.00	20.00	1.55	0.81	7.50	8.500	10.125	2.880	0.875	3.375	21.97	2 x 3	23.85	29.72	56.80	5.20	9.72	9.72	22.90	25.00	4.66
Sg 586	4. 6. 8	14.50	23.00	20.00	22.00	-	2.48	1.25	10.00	9.842	11.625	3.309	1.00	3.875	28.34	2 x 3	25.12	28.74	60.63	6.22	8.07	10.40	33.94	30.60	4.827
Sg 587	4. 6	14.50	23.00	22.00	25.00	-	2.48	1.25	10.00	9.842	11.625	3.309	1.00	3.875	21.97	2 x 3	25.12	29.92	63.50	6.22	7.28	10.24	33.94	30.60	4.827

Note: 449 base suitable for 447 frame mounting, 586 base suitable for 585 frame mounting, 587 base suitable for 586 frame mounting.

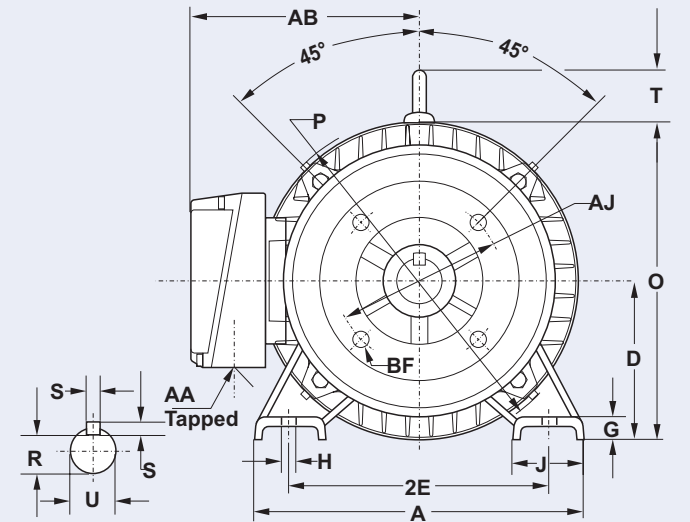
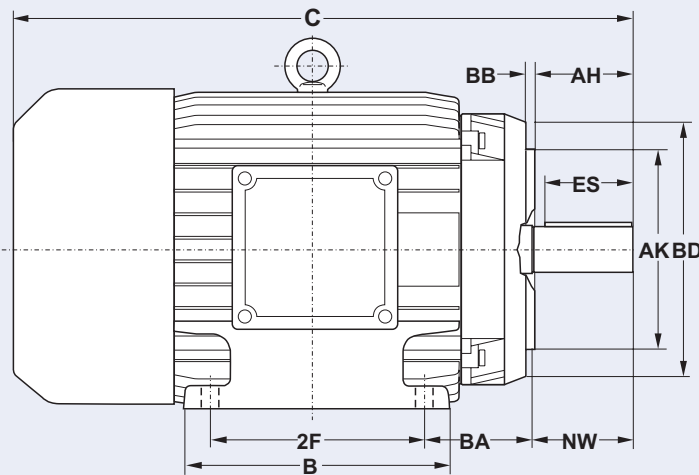
OVERALL AND MOUNTING DIMENSIONS

C-FACE WITH RIGID BASE

143 and 145



182 ÷ 286



(inches)

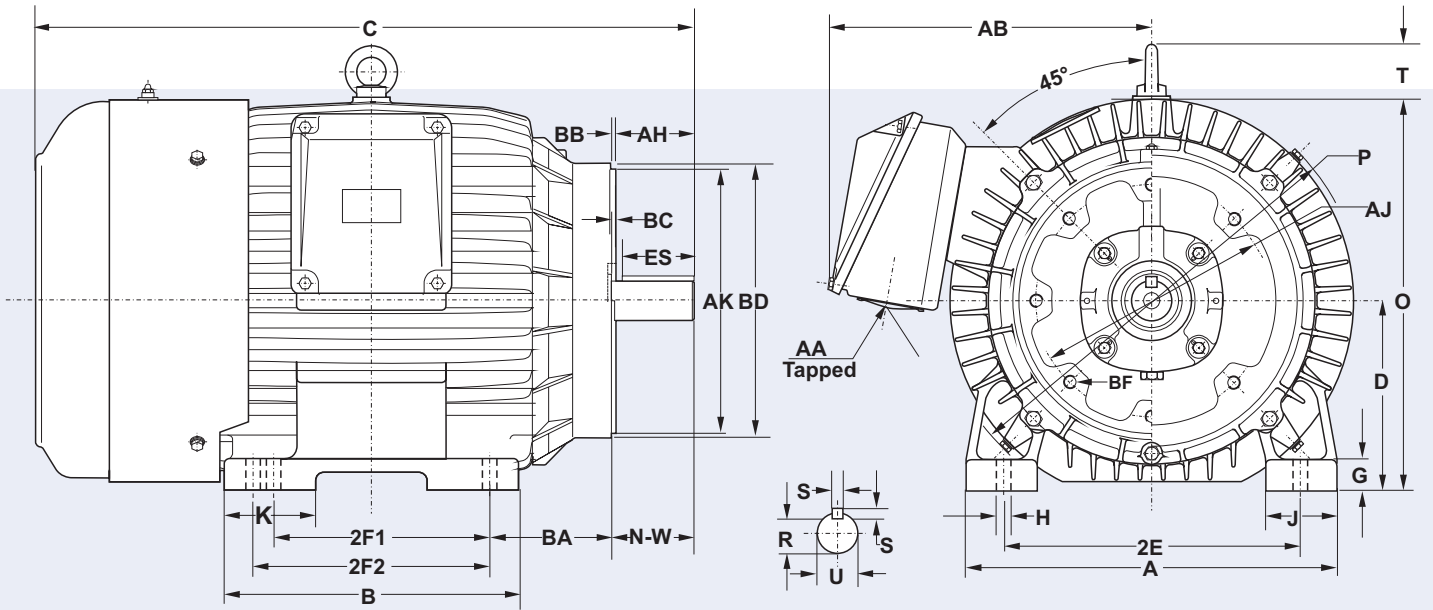
Motor Frame	Number of Poles	Mounting Dimensions													Overall Dimensions													
		D	2E	2F	G	H	Shaft End			C-face				BF size	A	AA	AB	B	BD	C	J	O	P	T				
							BA	ES	N-W	R	S	U	AH												AJ	AK	BB	No.
ESg 143TCL	2,4	3.50	5.50	4.00	0.39	0.34	2.75	1.52	2.25	0.771	0.188	0.875	2.12	5.875	4.50	0.16	3/8-16	4	6.62	3/4	6.50	5.83	6.50	13.03	1.66	7.48	8.27	-
ESg 145TCL	2,4,6	3.50	5.50	5.00	0.39	0.34	2.75	1.52	2.25	0.771	0.188	0.875	2.12	5.875	4.50	0.16	3/8-16	4	6.62	3/4	6.50	7.00	6.50	14.20	1.66	7.48	8.27	-
ESg 182TCL	2,4,6,8	4.50	7.50	4.50	0.60	0.41	3.50	1.94	2.75	0.986	0.250	1.125	2.62	7.25	8.50	0.25	1/2-13	4	9.00	1	7.90	6.74	8.90	15.10	2.13	9.09	9.53	1.77
ESg 184TCL	2,4,6,8	4.50	7.50	5.50	0.60	0.41	3.50	1.94	2.75	0.986	0.250	1.125	2.62	7.25	8.50	0.25	1/2-13	4	9.00	1	7.90	8.31	8.90	16.71	2.13	9.09	9.53	1.77
ESg 213TCL	2,4,6,8	5.25	8.50	5.50	0.72	0.41	4.25	2.55	3.38	1.201	0.312	1.375	3.12	7.25	8.50	0.25	1/2-13	4	10.24	1	8.45	8.10	8.90	18.77	2.20	10.55	10.94	1.77
ESg 215TCL	2,4,6,8	5.25	8.50	7.00	0.72	0.41	4.25	2.55	3.38	1.201	0.312	1.375	3.12	7.25	8.50	0.25	1/2-13	4	10.24	1	8.45	9.60	8.90	20.67	2.20	10.55	10.94	1.77
ESh 254TCL	2,4,6,8	6.25	10.00	8.25	0.58	0.55	4.75	3.11	4.00	1.416	0.375	1.625	3.75	7.25	8.50	0.25	1/2-13	4	12.28	1 1/4	10.08	9.92	10.00	24.10	2.36	13.18	14.17	2.08
ESh 256TCL	2,4,6,8	6.25	10.00	10.00	0.58	0.55	4.75	3.11	4.00	1.416	0.375	1.625	3.75	7.25	8.50	0.25	1/2-13	4	12.28	1 1/4	10.08	11.65	10.00	25.83	2.36	13.18	14.17	2.08
ESg 284TCL	4,6,8	7.00	11.00	9.50	0.89	0.55	4.75	3.53	4.62	1.591	0.500	1.875	4.38	9.00	10.50	0.25	1/2-13	4	13.78	1 1/2	10.34	11.61	11.25	27.10	2.75	14.01	14.17	2.08
ESg 284TSCl	2	7.00	11.00	9.50	0.89	0.55	4.75	2.10	3.25	1.416	0.375	1.625	3.00	9.00	10.50	0.25	1/2-13	4	13.78	1 1/2	10.34	11.61	11.25	25.70	2.75	14.01	14.17	2.08
ESg 286TCL	4,6,8	7.00	11.00	11.00	0.89	0.55	4.75	3.53	4.62	1.591	0.500	1.875	4.38	9.00	10.50	0.25	1/2-13	4	13.78	1 1/2	10.34	13.11	11.25	28.60	2.75	14.01	14.17	2.08
ESg 286TSCl	2	7.00	11.00	11.00	0.89	0.55	4.75	2.10	3.25	1.416	0.375	1.625	3.00	9.00	10.50	0.25	1/2-13	4	13.78	1 1/2	10.34	13.11	11.25	27.20	2.75	14.01	14.17	2.08

Note:

Frames 143TCL thru 256TCL are available as an option with dimension BA the same as for rigid bases.

OVERALL AND MOUNTING DIMENSIONS

C-FACE WITH RIGID BASE



(inches)

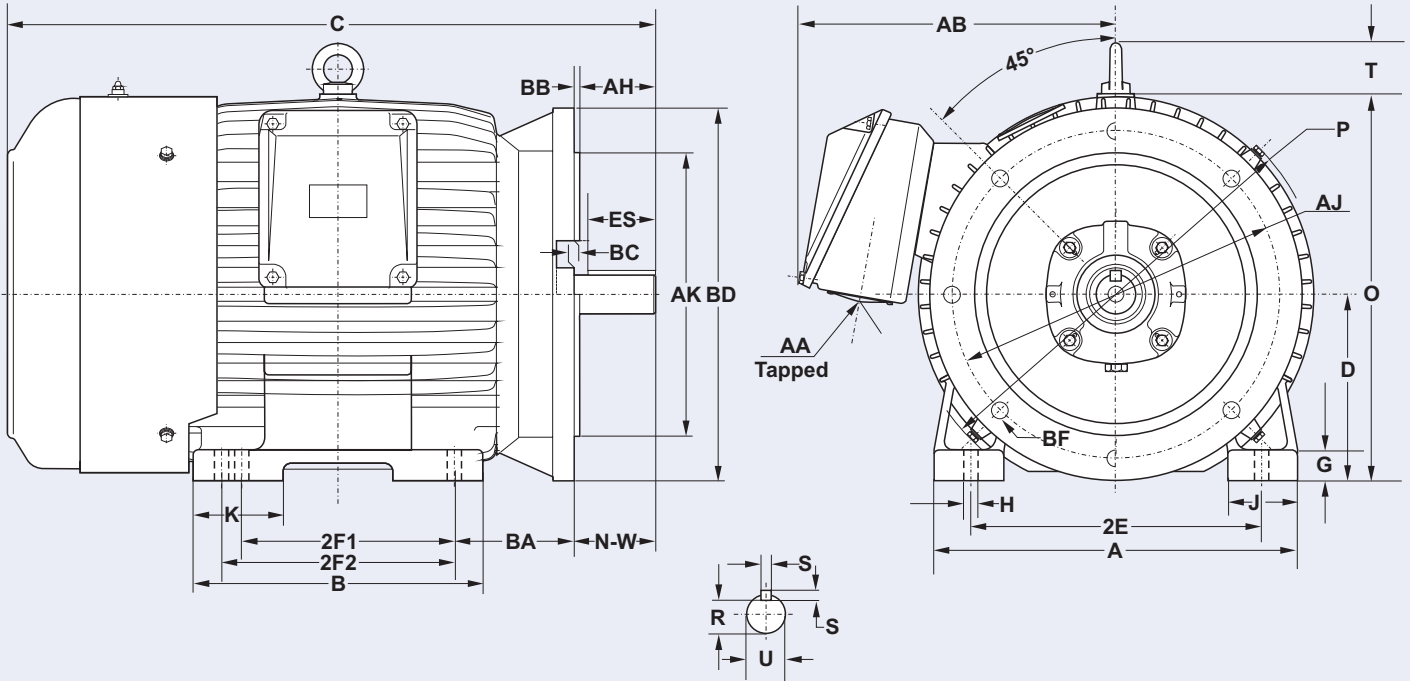
Motor Frame	Number of Poles	Mounting Dimensions														Overall Dimensions														
		D	2E	2F1	2F2	G	H	Shaft End					C-face				A	AA	AB	B	BD	C	J	K	O	P	T			
								BA	ES	N-W	R	S	U	AH	AJ	AK												BB/BC	BF size	BF No.
STe 324TSCl	2	8.00	12.50	10.50	-	1.38	0.66	5.25	2.75	3.75	1.591	0.500	1.875	3.50	11.00	12.50	0.25	5/8-11	4	15.80	2	14.00	13.40	13.00	29.20	3.15	3.94	16.70	17.70	2.50
STe 324TCL	4,6	8.00	12.50	10.50	-	1.38	0.66	5.25	4.33	5.25	1.845	0.500	2.125	5.00	11.00	12.50	0.25	5/8-11	4	15.80	2	14.00	13.40	13.00	30.70	3.15	3.94	16.70	17.70	2.50
Sg 324TCL	8	8.00	12.50	10.50	-	1.38	0.66	5.25	4.33	5.25	1.845	0.500	2.125	5.00	11.00	12.50	0.25	5/8-11	4	15.80	2	14.00	13.40	13.00	31.30	3.15	3.94	16.70	17.70	2.50
STe 326TSCl	2	8.00	12.50	10.50	12.00	1.38	0.66	5.25	2.75	3.75	1.591	0.500	1.875	3.50	11.00	12.50	0.25	5/8-11	4	15.80	2	14.00	14.90	13.00	30.70	3.15	3.94	16.70	17.70	2.50
STe 326TCL	4,6	8.00	12.50	10.50	12.00	1.38	0.66	5.25	4.33	5.25	1.845	0.500	2.125	5.00	11.00	12.50	0.25	5/8-11	4	15.80	2	14.00	14.90	13.00	32.30	3.15	3.94	16.70	17.70	2.50
Sg 326TCL	8	8.00	12.50	12.00	-	1.38	0.66	5.25	4.33	5.25	1.845	0.500	2.125	5.00	11.00	12.50	0.25	5/8-11	4	15.80	2	14.00	14.90	13.00	32.90	3.15	3.94	16.70	17.70	2.50
STe 364TSCl	2	9.00	14.00	11.25	-	1.49	0.66	5.88	2.75	3.75	1.591	0.500	1.875	3.50	11.00	12.50	0.25	5/8-11	8	17.50	3	15.40	14.00	13.20	31.50	3.35	4.33	18.80	19.90	2.50
STe 364TCL	4	9.00	14.00	11.25	-	1.49	0.66	5.88	4.92	5.88	2.021	0.625	2.375	5.62	11.00	12.50	0.25	5/8-11	8	17.50	3	15.40	14.00	13.20	33.70	3.35	4.33	18.80	19.90	2.50
Sg 364TCL	6,8	9.00	14.00	11.25	-	1.49	0.66	5.88	4.92	5.88	2.021	0.625	2.375	5.62	11.00	12.50	0.25	5/8-11	8	17.50	3	15.40	14.00	13.20	34.30	3.35	4.33	18.80	19.90	2.50
STe 365TSCl	2	9.00	14.00	11.25	12.25	1.49	0.66	5.88	2.75	3.75	1.591	0.500	1.875	3.50	11.00	12.50	0.25	5/8-11	8	17.50	3	15.40	15.00	13.20	32.50	3.35	4.33	18.80	19.90	2.50
STe 365TCL	4	9.00	14.00	11.25	12.25	1.49	0.66	5.88	4.92	5.88	2.021	0.625	2.375	5.62	11.00	12.50	0.25	5/8-11	8	17.50	3	15.40	15.00	13.20	34.70	3.35	4.33	18.80	19.90	2.50
Sg 365TCL	6,8	9.00	14.00	12.25	-	1.49	0.66	5.88	4.92	5.88	2.021	0.625	2.375	5.62	11.00	12.50	0.25	5/8-11	8	17.50	3	15.40	15.00	13.20	35.30	3.35	4.33	18.80	19.90	2.50
Sg 404TCL	6	10.00	16.00	12.25	-	1.57	0.81	6.62	6.30	7.25	2.450	0.750	2.875	7.00	11.00	12.50	0.25	5/8-11	8	19.50	3	16.30	16.50	13.20	40.40	3.54	4.72	20.50	21.10	2.95
STe 405TSCl	2	10.00	16.00	13.75	-	1.57	0.81	6.62	3.50	4.25	1.845	0.500	2.125	4.00	11.00	12.50	0.25	5/8-11	8	19.50	3	16.30	16.50	13.20	36.30	3.54	4.72	20.50	21.10	2.95
STe 405TCL	4	10.00	16.00	13.75	-	1.57	0.81	6.62	6.30	7.25	2.450	0.750	2.875	7.00	11.00	12.50	0.25	5/8-11	8	19.50	3	16.30	16.50	13.20	40.40	3.54	4.72	20.50	21.10	2.95
Sg 405TCL	6,8	10.00	16.00	13.75	-	1.57	0.81	6.62	6.30	7.25	2.450	0.750	2.875	7.00	11.00	12.50	0.25	5/8-11	8	19.50	3	16.30	16.50	13.20	40.40	3.54	4.72	20.50	21.10	2.95
STe 444TSCl	2	11.00	18.00	14.50	16.50	1.57	0.81	7.50	4.30	4.75	2.021	0.625	2.375	4.50	14.00	16.00	0.25	5/8-11	8	22.10	2x3	18.70	20.50	16.60	39.20	3.94	6.50	23.10	24.30	2.95
STe 444TCL	4	11.00	18.00	14.50	16.50	1.57	0.81	7.50	7.90	8.50	2.880	0.875	3.375	8.25	14.00	16.00	0.25	5/8-11	8	22.10	2x3	18.70	20.50	16.60	43.00	3.94	6.50	23.10	24.30	2.95
Sg 444TCL	6,8	11.00	18.00	14.50	-	1.57	0.81	7.50	7.90	8.50	2.880	0.875	3.375	8.25	14.00	16.00	0.25	5/8-11	8	22.10	2x3	18.70	18.50	16.60	44.10	3.94	5.51	23.10	24.30	2.95
STe 445TSCl	2	11.00	18.00	14.50	16.50	1.57	0.81	7.50	4.30	4.75	2.021	0.625	2.375	4.50	14.00	16.00	0.25	5/8-11	8	22.10	2x3	18.70	20.50	16.60	39.20	3.94	6.50	23.10	24.30	2.95
STe 445TCL	4	11.00	18.00	14.50	16.50	1.57	0.81	7.50	7.90	8.50	2.880	0.875	3.375	8.25	14.00	16.00	0.25	5/8-11	8	22.10	2x3	18.70	20.50	16.60	43.00	3.94	6.50	23.10	24.30	2.95
Sg 445TCL	6,8	11.00	18.00	16.50	-	1.57	0.81	7.50	7.90	8.50	2.880	0.875	3.375	8.25	14.00	16.00	0.25	5/8-11	8	22.10	2x3	18.70	20.50	16.60	46.10	3.94	5.51	23.10	24.30	2.95

Note: For STe range: 326 base suitable for 324 frame mounting, 365 base suitable for 364 frame mounting, 445 base suitable for 444 frame mounting, 444 base suitable for 445 frame mounting.

OVERALL AND MOUNTING DIMENSIONS

D-FACE WITH RIGID BASE

OVERALL AND MOUNTING DIMENSIONS



(inches)

Motor Frame	Number of Poles	Mounting Dimensions																Overall Dimensions														
		D	2E	2F1	2F2	G	H	Shaft End					D-face						A	AA	AB	B	BD	C	J	K	O	P	T			
								BA	ES	N-W	R	S	U	AH	AJ	AK	BE	BC												BB	BF	size No.
STe324TSDL	2	8.00	12.50	10.50	-	1.38	0.66	5.25	2.75	3.75	1.591	0.500	1.875	3.75	16.00	14.00	0.75	0	0.25	0.81	4	15.8	2	14.0	13.4	18.0	29.2	3.15	3.94	16.7	17.7	2.50
STe324TDL	4,6	8.00	12.50	10.50	-	1.38	0.66	5.25	4.33	5.25	1.845	0.500	2.125	5.25	16.00	14.00	0.75	0	0.25	0.81	4	15.8	2	14.0	13.4	18.0	30.7	3.15	3.94	16.7	17.7	2.50
STe326TSDL	2	8.00	12.50	10.50	12.00	1.38	0.66	5.25	2.75	3.75	1.591	0.500	1.875	3.75	16.00	14.00	0.75	0	0.25	0.81	4	15.8	2	14.0	14.9	18.0	30.7	3.15	3.94	16.7	17.7	2.50
STe326TDL	4,6	8.00	12.50	10.50	12.00	1.38	0.66	5.25	4.33	5.25	1.845	0.500	2.125	5.25	16.00	14.00	0.75	0	0.25	0.81	4	15.8	2	14.0	14.9	18.0	32.3	3.15	3.94	16.7	17.7	2.50
STe364TSDL	2	9.00	14.00	11.25	-	1.49	0.66	5.88	2.75	3.75	1.591	0.500	1.875	3.75	16.00	14.00	0.75	0	0.25	0.81	4	17.5	3	15.4	14.0	18.0	31.5	3.35	4.33	18.8	19.9	2.50
STe364TDL	4	9.00	14.00	11.25	-	1.49	0.66	5.88	4.92	5.88	2.021	0.625	2.375	5.88	16.00	14.00	0.75	0	0.25	0.81	4	17.5	3	15.4	14.0	18.0	33.7	3.35	4.33	18.8	19.9	2.50
STe365TSDL	2	9.00	14.00	11.25	12.25	1.49	0.66	5.88	2.75	3.75	1.591	0.500	1.875	3.75	16.00	14.00	0.75	0	0.25	0.81	4	17.5	3	15.4	15.0	18.0	32.5	3.35	4.33	18.8	19.9	2.50
STe365TDL	4	9.00	14.00	11.25	12.25	1.49	0.66	5.88	4.92	5.88	2.021	0.625	2.375	5.88	16.00	14.00	0.75	0	0.25	0.81	4	17.5	3	15.4	15.0	18.0	34.7	3.35	4.33	18.8	19.9	2.50
STe405TSDL	2	10.00	16.00	13.75	-	1.57	0.81	6.62	3.50	4.25	1.845	0.500	2.125	4.25	20.00	18.00	1.00	0	0.25	0.81	8	19.5	3	16.3	16.5	22.0	36.3	3.54	4.72	20.5	21.1	2.95
STe405TDL	4	10.00	16.00	13.75	-	1.57	0.81	6.62	6.30	7.25	2.450	0.750	2.875	7.25	20.00	18.00	1.00	0	0.25	0.81	8	19.5	3	16.3	16.5	22.0	39.4	3.54	4.72	20.5	21.1	2.95
STe444TSDL	2	11.00	18.00	14.50	-	1.57	0.81	7.50	4.30	4.75	2.020	0.525	2.375	4.75	20.00	18.00	1.00	0	0.25	0.81	8	22.1	2x3	18.7	20.5	22.0	39.2	3.94	6.50	23.1	24.3	2.95
STe444TDL	4	11.00	18.00	14.50	-	1.57	0.81	7.50	7.90	8.50	2.880	0.875	3.375	8.50	20.00	18.00	1.00	0	0.25	0.81	8	22.1	2x3	18.7	20.5	22.0	43.0	3.94	6.50	23.1	24.3	2.95
STe445TSDL	2	11.00	18.00	14.50	16.50	1.57	0.81	7.50	4.30	4.75	2.020	0.625	2.375	4.75	20.00	18.00	1.00	0	0.25	0.81	8	22.1	2x3	18.7	20.5	22.0	39.2	3.94	6.50	23.1	24.3	2.95
STe445TDL	4	11.00	18.00	14.50	16.50	1.57	0.81	7.50	7.90	8.50	2.880	0.875	3.375	8.50	20.00	18.00	1.00	0	0.25	0.81	8	22.1	2x3	18.7	20.5	22.0	43.0	3.94	6.50	23.1	24.3	2.95

Note: For STe range:

326 base suitable for 324 frame mounting, 365 base suitable for 364 frame mounting, 445 base suitable for 444 frame mounting, 444 base suitable for 445 frame mounting.